



INSTALLATION INSTRUCTIONS

FSB-4204

MARANTZ MODEL LC1510 INTERFACE BRACKET

Prior to assembly, unpack carton completely and verify contents.

If you are missing any of the following components, please contact Customer Service at 1-800/582-6480

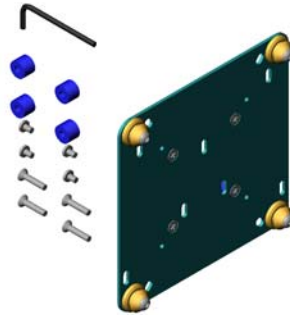


Figure 1

- (1) FSB-4203 Interface Bracket
- (4) M4 x .20mm Phillips Flat Head Screw
- (1) 1/8" Hex Key

- (4) M4-.7 x 6mm Phillips Head Screw
- (4) 1/2" X 3/8" Nylon Spacer

BEFORE PROCEEDING, READ INSTALLATION INSTRUCTIONS COMPLETELY

CAUTION! FLAT PANEL DISPLAYS ARE EXTREMELY FRAGILE.

1. If flat panel display has stand attached, remove existing stand.
2. Place four 1/2" X 3/8" Nylon spacers over four mounting holes in flat panel display.
3. Using four M4 x .20mm Phillips flat head screws, secure adapter plate to flat panel display.

Optional VESA Mounting

4. Using four tapped holes (see Figure 3) of interface bracket and M4-.7 X 6mm Phillips Screws (provided), secure interface bracket to any 75mm VESA pattern.

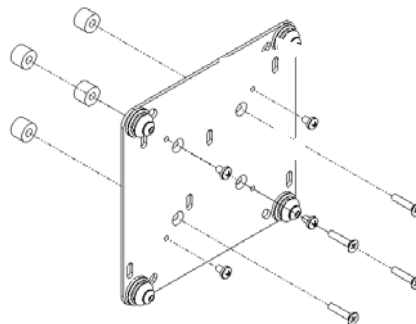


Figure 2