



INSTALLATION INSTRUCTIONS

FSB-4206 LCD DISPLAY MOUNTING BRACKET

Prior to assembly, unpack carton completely and verify contents.

If you are missing any of the following components, please contact Customer Service at 1-800/582-6480

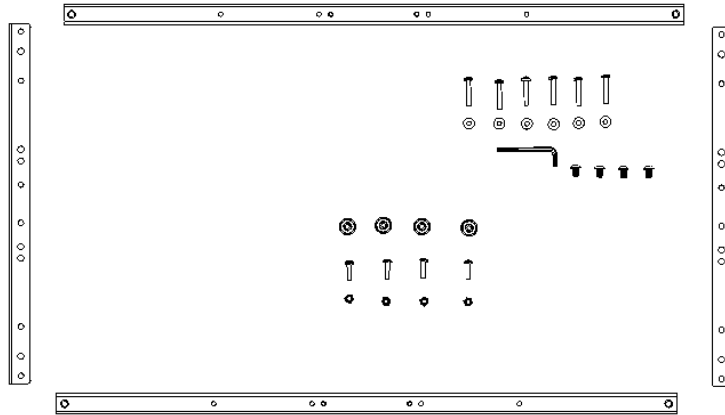


Figure 1

- (2) LCD Interface Side Brackets
- (6) M5-.8 x 30mm Phillips Head Cap Screws
- (4) 1/4-20 x 3/8" Button Head Cap Screws
- (4) 10-24 x .75" Phillips Head Cap Screws
- (4) Small Flat Screen Mounting Buttons-Through hole 10-24

- (2) LCD Interface Center Brackets
- (6) .5 OD x .194 ID x .5 Round Nylon Spacers
- (1) 5/32" Allen Key
- (4) 10-24 Nylock Nuts

BEFORE PROCEEDING, READ INSTALLATION INSTRUCTIONS COMPLETELY

CAUTION! LCD Displays are extremely fragile.

A. Small flat screen systems using Chief Manufacturing's Q2™ (5" x 5) mounting system

- Using a 10-24 Phillips head cap screw and Nylock nut, secure mounting button, with chamfered hole of mounting button (larger surface) facing bracket, to bracket (4 places) (see Figure 1 and Figure 2).

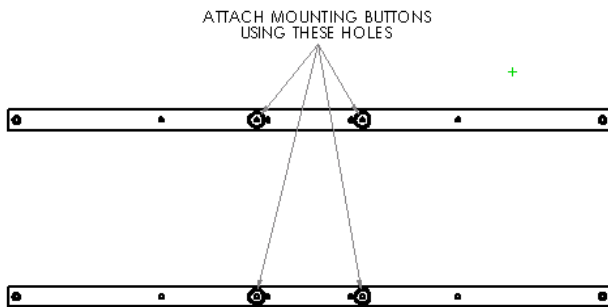


Figure 1

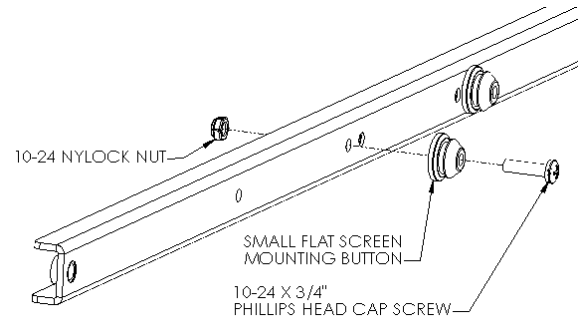


Figure 2

- Attach center brackets to side brackets using the 1/4-20 screws (see Figure 3 & Figure 4).

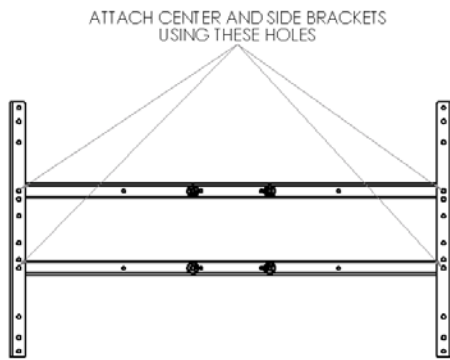


Figure 3

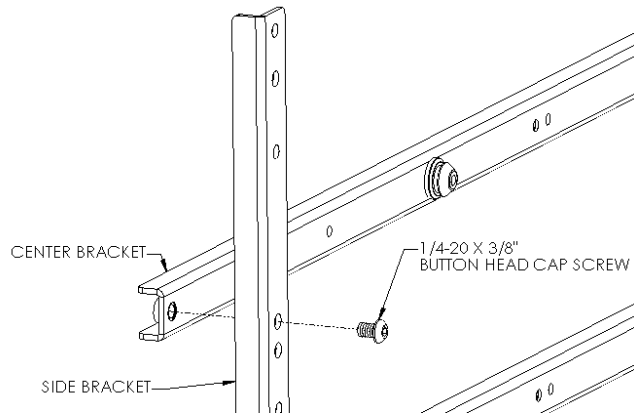


Figure 4

- Place Nylon spacers on mounting holes, aligning hole pattern on *side* brackets with pattern on back of display (see Figure 5 and Figure 6).

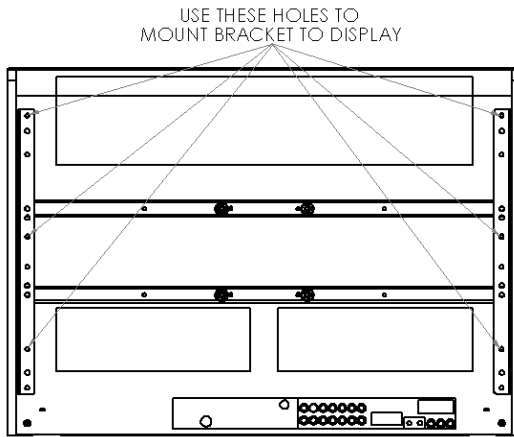


Figure 5

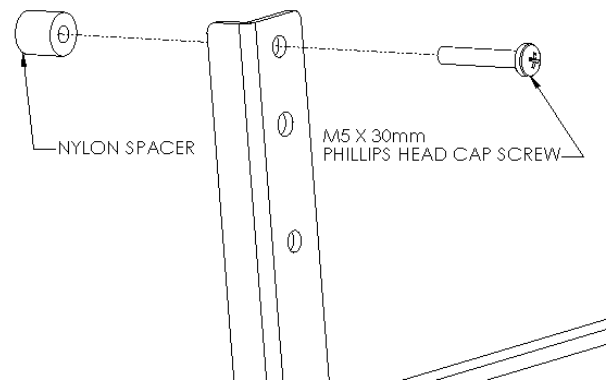


Figure 6

- Using M5 Phillips head screws, secure side brackets to display. Do not over tighten screws.
- With the aid of another person, lift display up to the Chief Mount, aligning buttons of mounting brackets with slots in the Chief Mount.
- Lower safety latch on the Chief Mount to secure your display, making sure latch is completely engaged.

B. Small flat screen systems requiring a 100mm x 100mm VESA mounting pattern

- Attach center brackets to side brackets using the 1/4-20 screws (see Figure 7 and Figure 8).

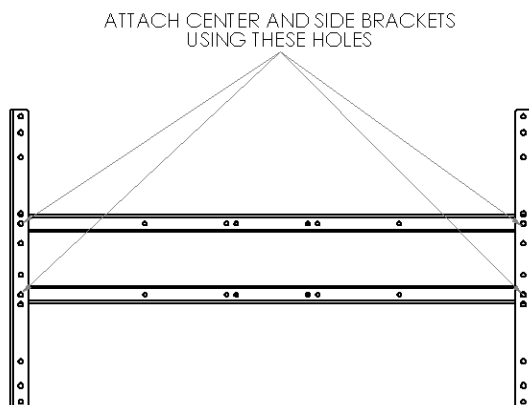


Figure 7

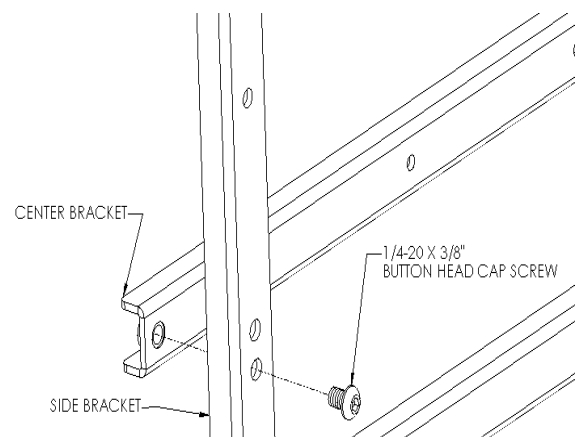


Figure 8

2. Place Nylon spacers on mounting holes, aligning hole pattern on *side* brackets with pattern on back of display (see Figure 9 & Figure 10).

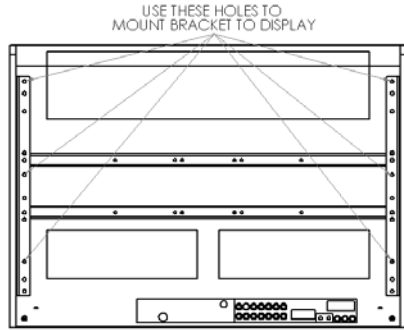


Figure 9

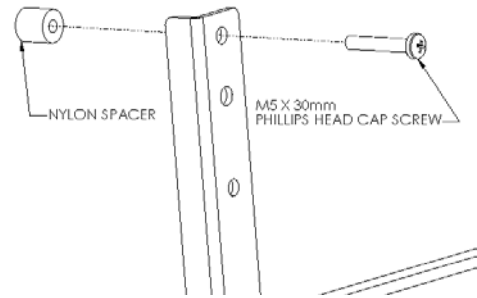


Figure 10

3. Using M5 Phillips head screws, secure side brackets to display. Do not over tighten screws.
4. Use the 100mm x 100mm VESA and four M4 screws (provided with mount) to attach display to mount.