



## INSTALLATION INSTRUCTIONS

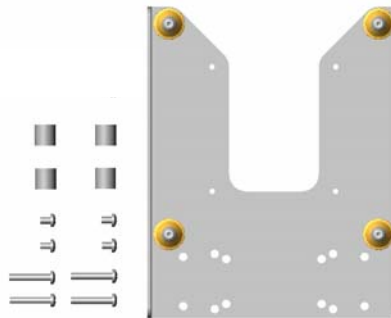
# FSB-4207

## FLAT PANEL DISPLAY ADAPTER PLATE

For Sony Model KLV-15HR1

Prior to assembly, unpack carton completely and verify contents.

If you are missing any of the following components, please contact Customer Service at 1-800/582-6480



- (1) Adapter Bracket
- (4) Nylon Spacer, .50" OD x .50"

Figure 1

- (4) M4 X 6mm Phillips Pan Head Screws
- (4) M4 X 25mm Phillips Pan Head Screws

**BEFORE PROCEEDING, READ INSTALLATION INSTRUCTIONS COMPLETELY**

## **CAUTION!** FLAT PANEL DISPLAYS ARE EXTREMELY FRAGILE.

1. If flat panel display has stand attached, remove existing stand.
2. Place (4) .50" OD x .50" nylon spacer over four mounting holes on back of display.
3. Using (4) M4 x 25mm Phillips pan head screws, secure adapter bracket to display.

### Optional VESA Mounting

4. Using a Phillips screwdriver, remove four mounting buttons from adapter bracket.
5. Using four inside holes of interface bracket and M4-.7 X 6mm Phillips Screws (provided), secure adapter bracket to any 75mm VESA pattern.

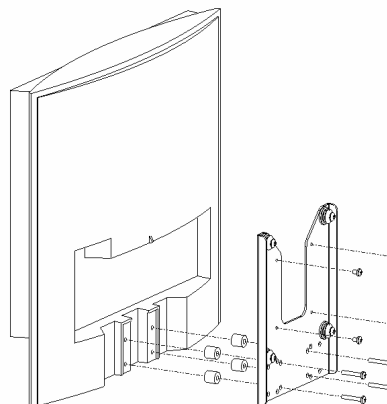


Figure 2