



INSTALLATION INSTRUCTIONS

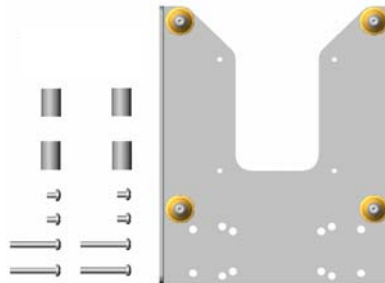
FSB-4208

FLAT PANEL DISPLAY ADAPTER PLATE

For Sony Model KLV-23HR1

Prior to assembly, unpack carton completely and verify contents.

If you are missing any of the following components, please contact Customer Service at 1-800/582-6480



- (1) Adapter Bracket
- (4) Nylon Spacer, .50" OD x .75"

Figure 1

- (4) M4 X 6mm Phillips Pan Head Screws
- (4) M4 X 30mm Phillips Pan Head Screws

BEFORE PROCEEDING, READ INSTALLATION INSTRUCTIONS COMPLETELY

CAUTION! FLAT PANEL DISPLAYS ARE EXTREMELY FRAGILE.

1. If flat panel display has stand attached, remove existing stand.
2. Place (4) .50" OD x .75" nylon spacer over four mounting holes on back of display.
3. Using (4) M4 x 30mm Phillips pan head screws, secure adapter bracket to display.

Optional VESA Mounting

4. Using a Phillips screwdriver, remove four mounting buttons from adapter bracket.
5. Using four inside holes of interface bracket and M4-.7 X 6mm Phillips Screws (provided), secure adapter bracket to any 75mm VESA pattern.

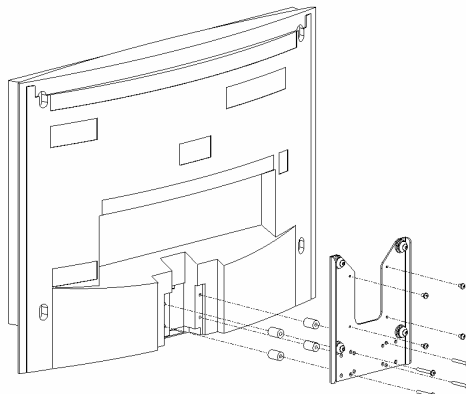


Figure 2