



INSTALLATION INSTRUCTIONS

FSB-4212

FLAT PANEL DISPLAY ADAPTER PLATE

For Samsung 241MP

Prior to assembly, unpack carton completely and verify contents.

If you are missing any of the following components, please contact Customer Service at 1-800/582-6480

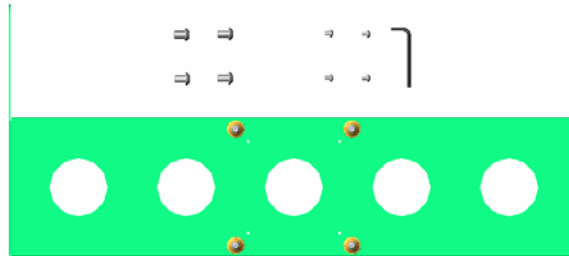


Figure 1

- | | |
|--------------------------|---------------------------------------|
| (1) Adapter Bracket | (4) M4 X 6mm Phillips Pan Head Screws |
| (4) M8 Button Head Screw | (1) M5 Hex Key |

BEFORE PROCEEDING, READ INSTALLATION INSTRUCTIONS COMPLETELY

CAUTION! FLAT PANEL DISPLAYS ARE EXTREMELY FRAGILE.

1. If flat panel display has stand attached, remove existing stand.
2. Using four M8 button head screws and M5 hex key, secure adapter bracket to display.

Optional VESA Mounting

3. Using a Phillips screwdriver, remove four mounting buttons from adapter bracket.
4. Using four inside holes of interface bracket and M4-.7 X 6mm Phillips Screws (provided), secure adapter bracket to any 100mm VESA pattern.

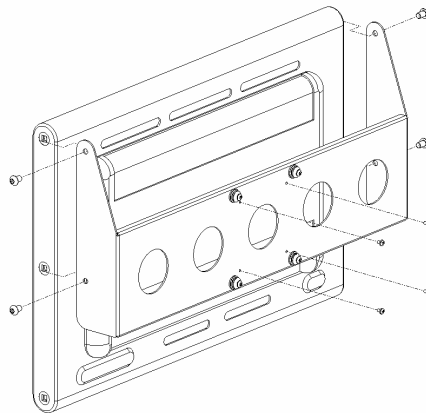


Figure 2