



## INSTALLATION INSTRUCTIONS

# FSB-4214

## FLAT PANEL DISPLAY ADAPTER PLATE

For Sharp LC-10A3U

Prior to assembly, unpack carton completely and verify contents.  
If you are missing any of the following components, please contact Customer Service at 1-800/582-6480.

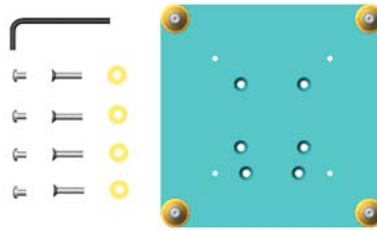


Figure 1

- (1) Adapter Bracket
- (4) Nylon Spacer

- (4) M4 X 6mm Phillips Pan Head Screws
- (4) M4 X 16mm Flat Head Machine Screws
- (1) 1/8" Hex Key

**BEFORE PROCEEDING, READ INSTALLATION INSTRUCTIONS COMPLETELY**

### CAUTION!

**FLAT PANEL DISPLAYS ARE EXTREMELY FRAGILE.**

1. Remove table stand from back of display.
2. Place Nylon spacers over four mounting holes.
3. Align four countersink holes with mounting holes on back of display and secure using (4) M4 flat head screws.

**Optional VESA mounting:**

4. Using 1/8" hex key, remove four mounting buttons from bracket.
5. Using four tapped holes of interface bracket and M4 X 6mm Phillips screws (provided), secure adapter bracket to any mounting device using a 75mm x 75mm VESA pattern.

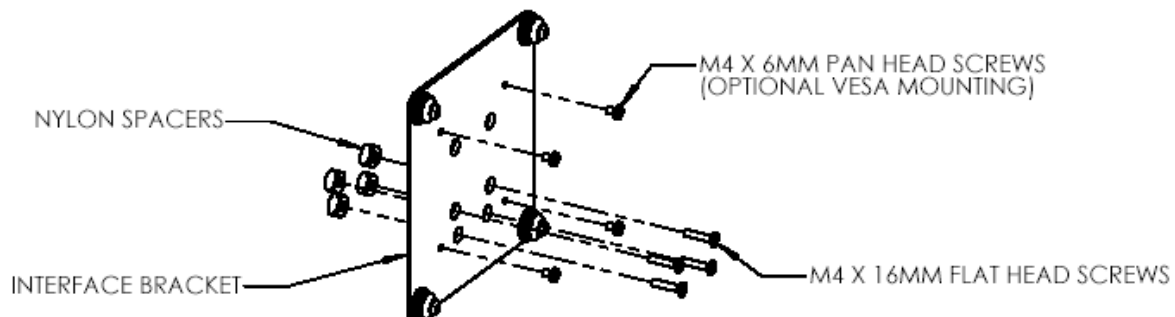


Figure 2