



## INSTALLATION INSTRUCTIONS

# FSB-4216

## FLAT PANEL DISPLAY ADAPTER PLATE

For DELVCAM DELV-PRO7XL

Prior to assembly, unpack carton completely and verify contents.

If you are missing any of the following components, please contact Customer Service at 1-800/582-6480.



Figure 1

- |   |                                       |
|---|---------------------------------------|
| (1) Adapter Bracket                     | (4) M4 X 6mm Phillips Pan Head Screws |
| (1) 1/4-20 Hex Nut                      | (1) Flat Washer                       |
| (1) 1/4-20 x .50" Flat Head Screw       | (1) 5/32" Hex Key                     |
| (1) 1/4-20 x .25" Button Head Cap Screw |                                       |

**BEFORE PROCEEDING, READ INSTALLATION INSTRUCTIONS COMPLETELY**

### CAUTION!

**FLAT PANEL DISPLAYS ARE EXTREMELY FRAGILE.**

1. Slide 1/4-20 x .50" flat head screw into slot on back of display.
2. Place bracket on back of display (see Figure 2), install flat washer and 1/4-20 hex nut on 1/4-20 x .50" flat head screw, and tighten.
3. Insert 1/4-20 x .25" button head cap screw through bracket flange and into display. Tighten using 5/32" hex key.
4. Using four holes of interface bracket and M4 X 6mm Phillips screws (provided), secure adapter bracket to any mounting device that uses a 100mm x 100mm VESA pattern.

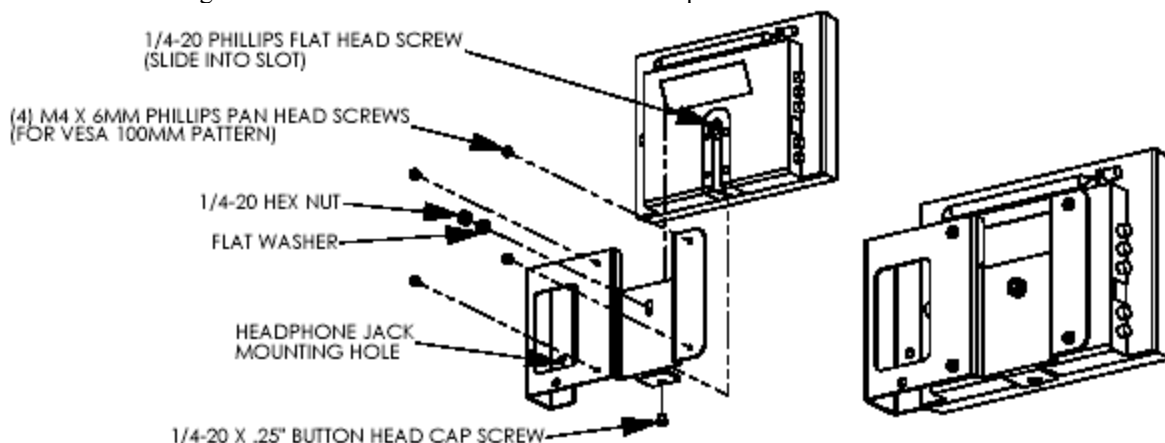


Figure 2