
INSTALLATION INSTRUCTIONS

PLASMA DISPLAY STATIC MOUNT

FSB-4222

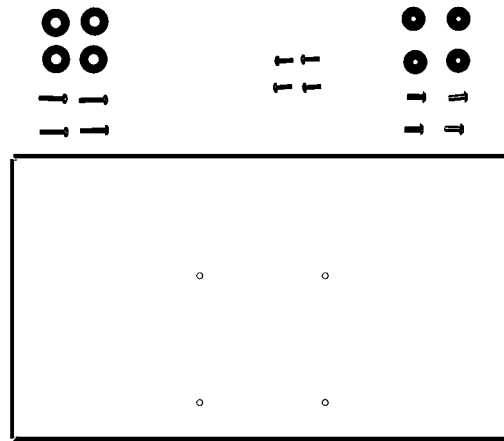


Figure 1

(1) Adapter Bracket

(4) Tapped Mounting Buttons

(4) Nylon Spacers

(1) 1/8" Hex Key

(4) M4 X 20mm Phillips Pan Head Screws

(4) 10-24 x .50" Button Head Cap Screws

(4) M4 x 12mm Phillips Pan Head Screws

BEFORE PROCEEDING: Unpack the carton, verify contents shown in Figure 1 and read installation instructions completely. If you are missing any of the listed components, please contact Customer Service at 1-800/582-6480.

CAUTION! Displays are Extremely Fragile.

ALL COMPONENTS MUST BE SECURELY FASTENED TO A STRUCTURAL MEMBER CAPABLE OF SUPPORTING 4 TIMES THE COMBINED WEIGHT OF ALL COMPONENTS PLUS THE EQUIPMENT BEING MOUNTED. IF IT CANNOT SUPPORT THIS WEIGHT, THE STRUCTURE MUST BE REINFORCED.

WARNING!

THE MAXIMUM WEIGHT TO BE INSTALLED ON THE BRACKET IS 45 POUNDS (20.41 KG).



CHIEF MANUFACTURING INC.
1-800-582-6480 952-894-6280 FAX 952-894-6918
8401 EAGLE CREEK PKWY, STE. 700
SAVAGE, MINNESOTA 55378 USA

8804-000186 REV. A
2004 Chief Manufacturing
www.chiefmfg.com
10/04

Interface installation:

Note: If used with any small flat screen system using Chief Manufacturing's Q2 (5" x 5") mounting system.

- Assemble (4) mounting buttons to 5" hole pattern on the adapter bracket using (4) 10-24 x .50" Button Hd cap screws (use 1/8" hex key provided) as shown in Figure 2.

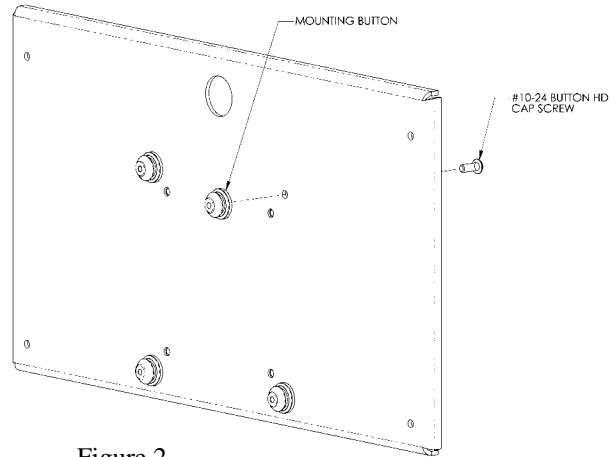


Figure 2

Install adapter bracket:

- Assemble (4) M4 X 20mm Phil Pan Hd screws with nylon spacers provided to mounting holes on back of screen, as shown in Figure 3.
- If installing screen onto a VESA mount, use provided M4 x 12mm screws.

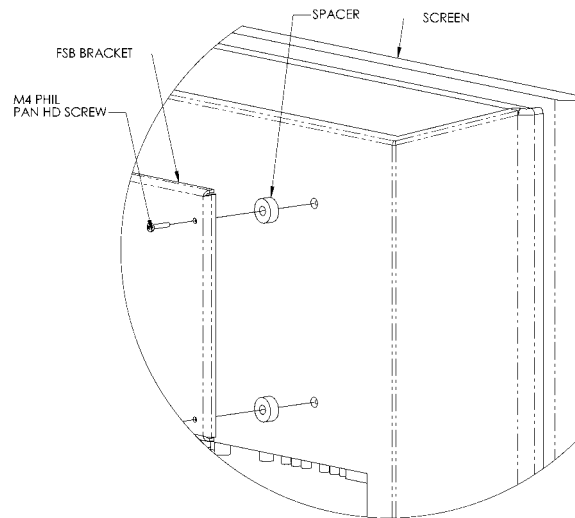


Figure 3