
INSTALLATION INSTRUCTIONS

SMALL FLAT PANEL DISPLAY MOUNTING BRACKET

FSB-4223

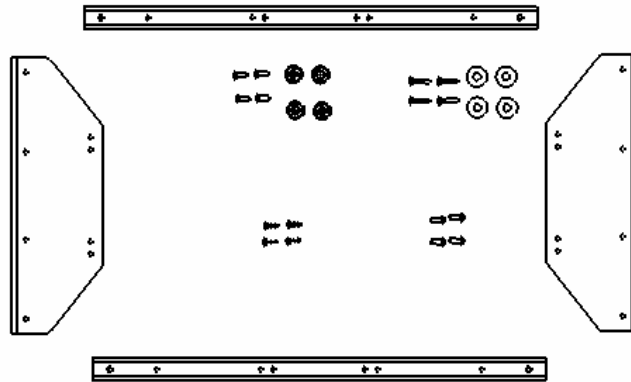


Figure 1

- (2) LCD Interface Side Brackets
- (4) M4 x 25mm Phillips Head Cap Screws
- (8) 10-24 x .5" Button Head Cap Screws
- (4) M4 x 12mm Phillips Head Cap Screws

- (2) LCD Interface Center Brackets
- (4) .50 x .194 x .50 Nylon Spacers
- (4) Mounting Buttons, tapped
- (1) 1/8" Hex Key

BEFORE PROCEEDING: Unpack the carton, verify contents shown in Figure 1 and read installation instructions completely. If you are missing any of the listed components, please contact Customer Service at 1-800/582-6480.

CAUTION! Displays are Extremely Fragile.

WARNING!

ALL COMPONENTS MUST BE SECURELY FASTENED TO A STRUCTURAL MEMBER CAPABLE OF SUPPORTING 4 TIMES THE COMBINED WEIGHT OF ALL COMPONENTS PLUS THE EQUIPMENT BEING MOUNTED. IF IT CANNOT SUPPORT THIS WEIGHT, THE STRUCTURE MUST BE REINFORCED. THE MAXIMUM WEIGHT TO BE INSTALLED ON THE BRACKET IS 45 POUNDS (20.41 KG).



CHIEF MANUFACTURING INC.
1-800-582-6480 952-894-6280 FAX 952-894-6918
8401 EAGLE CREEK PKWY, STE. 700
SAVAGE, MINNESOTA 55378 USA

8804-000187 REV. B
2004 Chief Manufacturing
www.chiefmfg.com
10/04

A. Small flat screen systems

using Chief Manufacturing's Q2™ (5" x 5") mounting system

1. Using #10-24 screws secure mounting button (hex key provided), with chamfered hole of mounting button (larger surface) facing bracket, to bracket (4 places) (see Figure 2 and Figure 3).

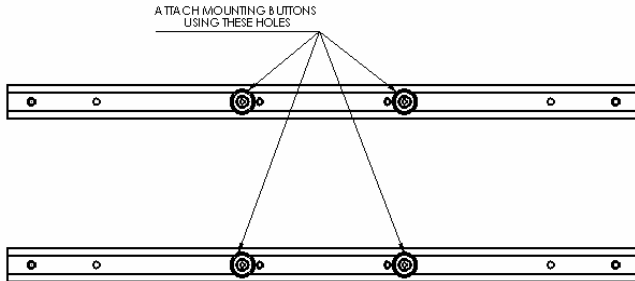


Figure 2

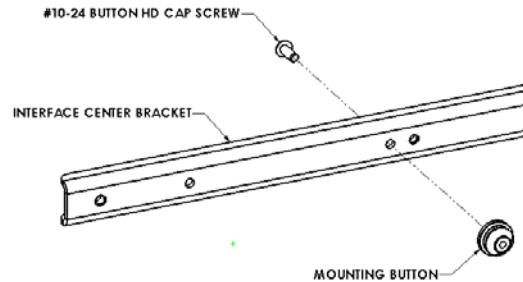


Figure 3

2. Attach center brackets to side brackets using #10-24 screws, hex key provided. (see Figure 4 & Figure 5).

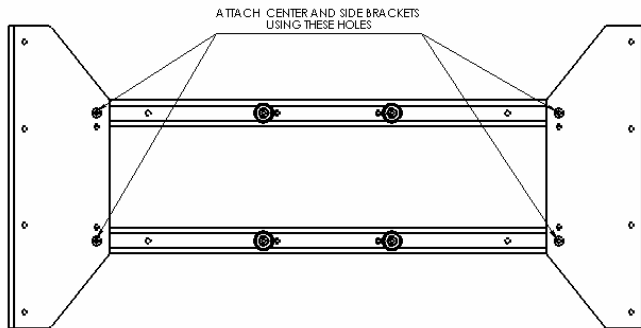


Figure 4

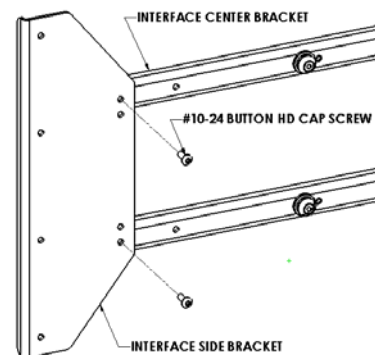


Figure 5

3. Place Nylon spacers on mounting holes, aligning hole pattern on side brackets with pattern on back of display (see Figure 6 and Figure 7).

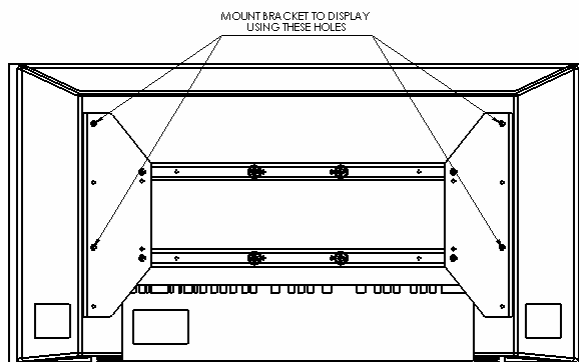


Figure 6

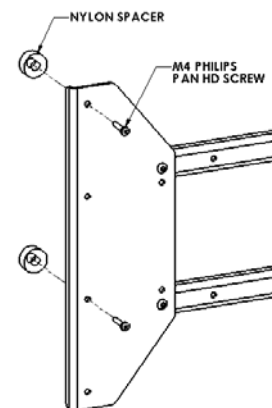


Figure 7

4. Using M4 X 25mm Phillips head screws, secure side brackets to display. Do not over tighten screws.
5. With the aid of another person, lift display up to the Chief Mount, aligning buttons of mounting brackets with slots in the Chief Mount.
6. Lower safety latch on the Chief Mount to secure your display, making sure latch is completely engaged.

B. Small flat screen systems requiring a 100mm x 100mm VESA mounting pattern

1. Attach center brackets to side brackets using #10-24 screws, hex key provided. (see Figure 8 and Figure 9).

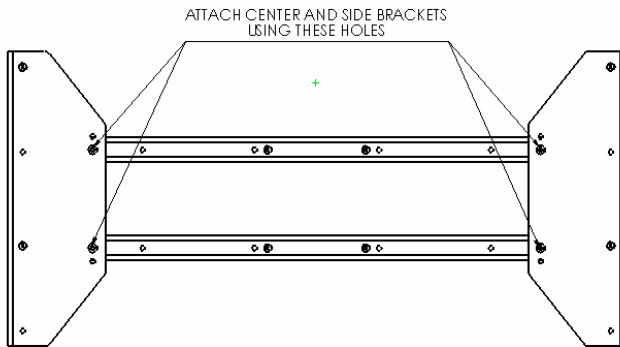


Figure 8

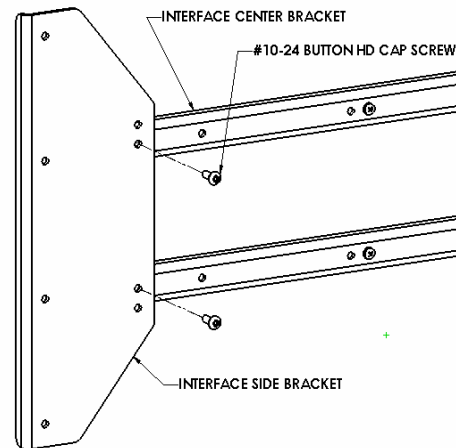


Figure 9

2. Place Nylon spacers on mounting holes, aligning hole pattern on *side* brackets with pattern on back of display (see Figure 10 & Figure 11).

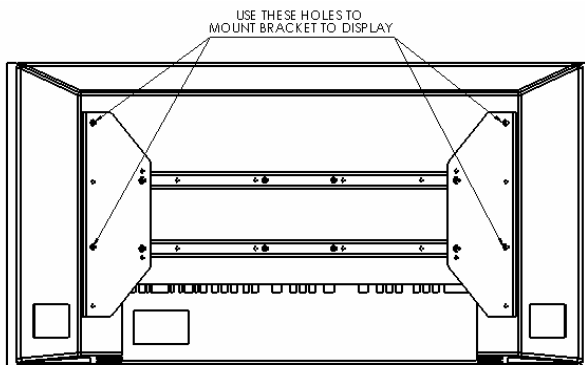


Figure 10

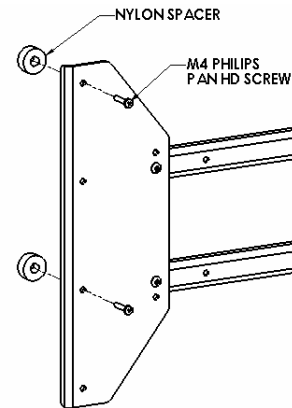


Figure 11

3. Using M4 X 25mm Phillips head screws, secure side brackets to display. Do not over tighten screws.
4. Use the 100mm x 100mm VESA and four M4 X 12mm screws to attach display to mount.