

INSTALLATION INSTRUCTIONS

DISPLAY STATIC MOUNT FSB-4225

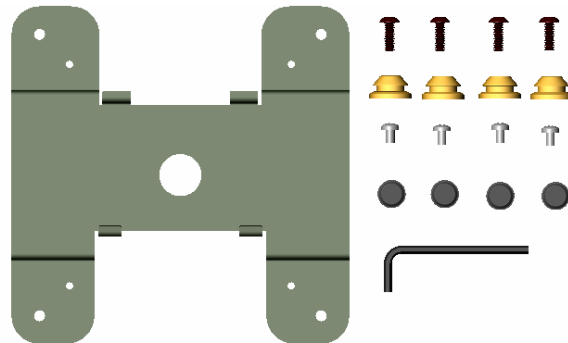


Figure 1

- | | |
|---------------------------------------|--------------------------------------|
| (1) FSB Interface Bracket | (4) Tapped Mounting Buttons |
| (4) M4 x 6mm Phillips Pan Head Screws | (4) 10-24 x .5 Button Head Cap Screw |
| (4) .50" Diameter Rubber Bumper | (4) 1/8" Hex Key |

BEFORE PROCEEDING: Unpack the carton, verify contents shown in Figure 1 and read installation instructions completely. If you are missing any of the listed components, please contact Customer Service at 1-800/582-6480.

CAUTION! Displays are Extremely Fragile.

1. Attach the four (4) .50" Diameter Rubber Bumpers to the four (4) "X" location markings located on the Interface Bracket (see Figure. 2).

2. Interface installation

****If used with any small flat screen system using Chief Manufacturing's Q2 (5" x 5") mounting system.**

- 2a. Using 1/8" Hex Key, assemble (4) mounting buttons to 5" hole pattern on the adapter bracket with the four (4) 10-24 x .50" Button head cap screws (see Figure 3).

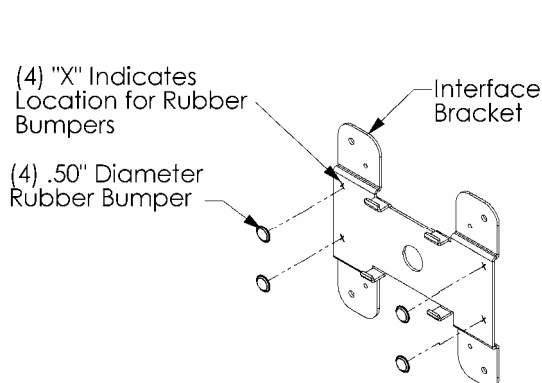


Figure 2

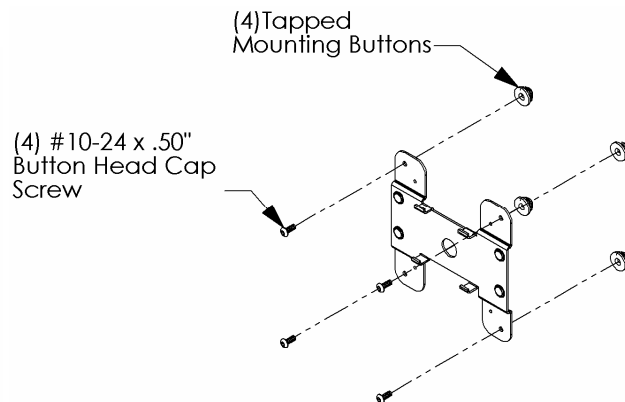


Figure 3



CHIEF MANUFACTURING INC.
1-800-582-6480 952-894-6280 FAX 952-894-6918
8401 EAGLE CREEK PKWY, STE. 700
SAVAGE, MINNESOTA 55378 USA

8804-000206 REV. A
2004 Chief Manufacturing
www.chiefmfg.com
10/04

****Optional VESA Mounting**

2b. Attach Interface bracket to Display Screen (see Figure 4).

2c. Using four inside tapped holes of interface bracket and M4 x 6mm Phillips Screws (provided), secure adapter bracket to any mounting device using a 100mm x 100mm VESA pattern.

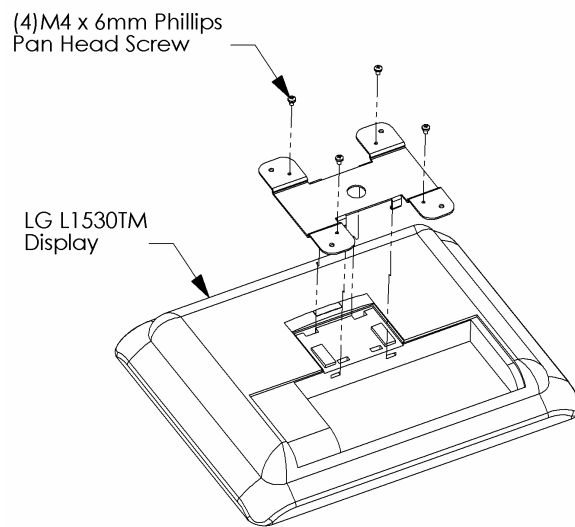


Figure 4