

INSTALLATION INSTRUCTIONS

SMALL FLAT PANEL DISPLAY MOUNTING BRACKET

FSB-4231

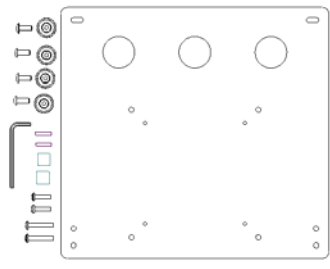


Figure 1

- | | |
|---------------------------------------|---------------------------------------|
| (1) FSB Interface Bracket | (4) Mounting Buttons |
| (4) 10-24 x .5 Button Head Cap Screw | (2) .50 x .194 x .50 Nylon Washer |
| (2) .625 x .194 x .125 Nylon Spacer | (2) M4 x 16mm Phillips Head Cap Screw |
| (2) M4 x 25mm Phillips Head Cap Screw | (1) 1/8 Allen Key |

BEFORE PROCEEDING: Unpack the carton, verify contents shown in Figure 1 and read installation instructions completely. If you are missing any of the listed components, please contact Customer Service at 1-800/582-6480.

CAUTION! Displays are Extremely Fragile.

NOTE: If installing screen onto a VESA 100mm X 100mm mount, skip to step 2 on Page 2 (mounting button installation is not required).

- Using #10-24 screws secure mounting button to bracket, with chamfered hole of mounting button (larger surface) facing bracket (4 places) (see Figure 2 and Figure 3).

Mounting Button installation is not required if installing screen on a VESA 100mm X 100mm mount.

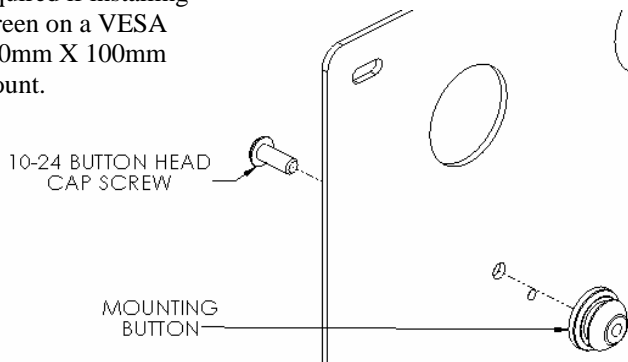


Figure 2

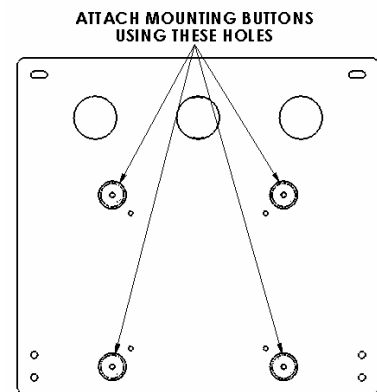


Figure 3

WARNING

ALL COMPONENTS MUST BE SECURELY FASTENED TO A STRUCTURAL MEMBER CAPABLE OF SUPPORTING 4 TIMES THE COMBINED WEIGHT OF ALL COMPONENTS PLUS THE EQUIPMENT BEING MOUNTED. IF IT CANNOT SUPPORT THIS WEIGHT, THE STRUCTURE MUST BE REINFORCED. THE MAXIMUM WEIGHT TO BE INSTALLED ON THE BRACKET IS 45 POUNDS (20.41 KG).

2. Place Nylon spacers on mounting holes, aligning hole pattern on brackets with pattern on back of display making sure to use long spacers on upper holes and short spacers on lower holes (for 23" see Figure 3 and Figure 4, for 27" see Figure 5 and Figure 6).

FOR 23" LCD PANEL

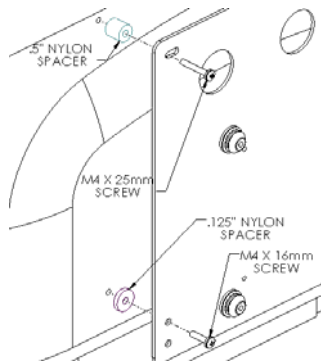


Figure 3

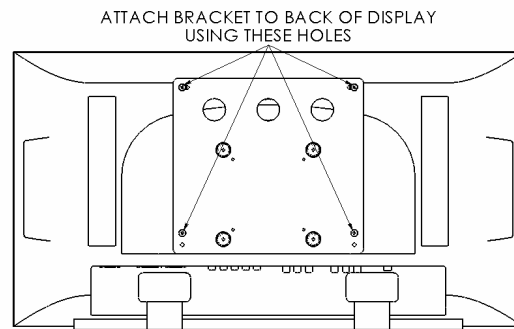


Figure 4

FOR 27" LCD PANEL

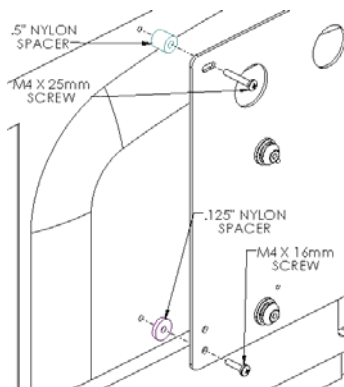


Figure 5

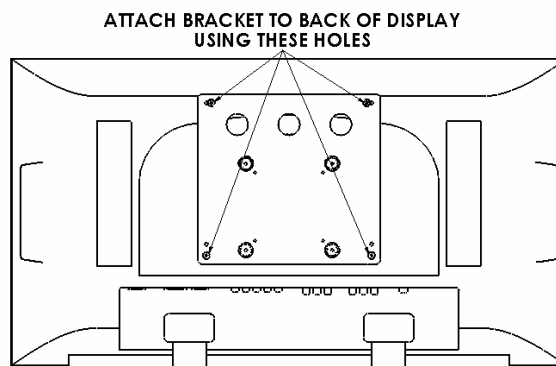


Figure 6

3. **For Chief Q2™ mounts with 5" X 5" Mounting System** - With the aid of another person, lift the display up to the mount, align the mounting buttons on the plasma with the slots in the mount, and set the screen into place. Lower safety latch on the Chief Mount to secure your display, making sure latch is completely engaged.
4. **For VESA 100mm X 100mm Mounting Systems** - With the aid of another person, lift display up to the mount, align threaded holes of interface bracket to mounting holes of mount. Attach screen to mount (per mount instructions) with M4 screws provided with mount.