



## INSTALLATION INSTRUCTIONS

# FSB-4234

## FLAT PANEL DISPLAY ADAPTER PLATE

For SAMSUNG LT-P1745

Prior to assembly, unpack carton completely and verify contents.

If you are missing any of the following components, please contact Customer Service at 1-800/582-6480.

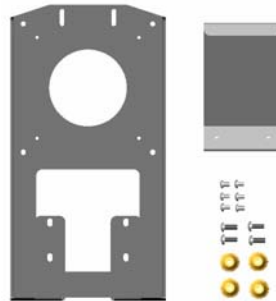


Figure 1

- (1) Base Adapter Bracket
- (1) Top Stabilizer Bracket
- (4) Mounting Buttons

- (4) 10-24 x .50" Phillips Pan Head Screws
- (6) M4 X 6mm Phillips Pan Head Screws

### BEFORE PROCEEDING, READ INSTALLATION INSTRUCTIONS COMPLETELY

## CAUTION! FLAT PANEL DISPLAYS ARE EXTREMELY FRAGILE.

1. Using a Phillips head screwdriver, remove Samsung's table stand from display.

**\*\*Important\*\*** *Keep the four Phillips pan head screws removed with the table stand! They will be used in the interface assembly.*

**NOTE:** If installing screen onto a VESA 100mm X 100mm mount skip to step 3 (mounting button installation is not required).

2. **Mounting Button Installation:** Install four Mounting Buttons using four #10-24 x .50" Phillips pan head screws (see Figure 2).
3. Assemble brackets and fasteners to display (see Figure 2 and Figure 3).

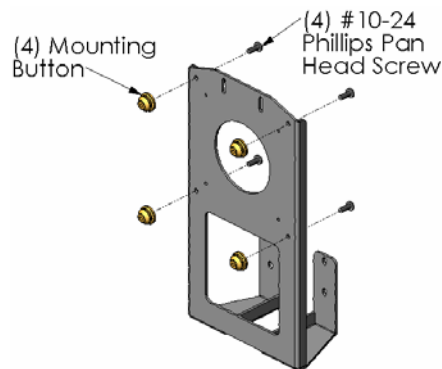


Figure 2

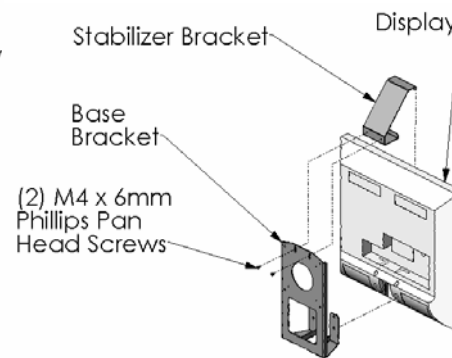


Figure 3

4. **For Chief Q2™ mounts with 5" X 5" Mounting System** - With the aid of another person, lift the display up to the mount, align the mounting buttons on the display with the slots in the mount, and set the display into place.
5. Lower safety latch on the Chief Mount to secure your display, making sure latch is completely engaged.
6. **For VESA 100mm X 100mm Mounting Systems** - With the aid of another person, lift display up to the mount, align threaded holes of interface bracket to mounting holes of mount.
7. Using remaining four M4 x 6mm Phillips pan head screws, attach display to mount (per mount instructions).

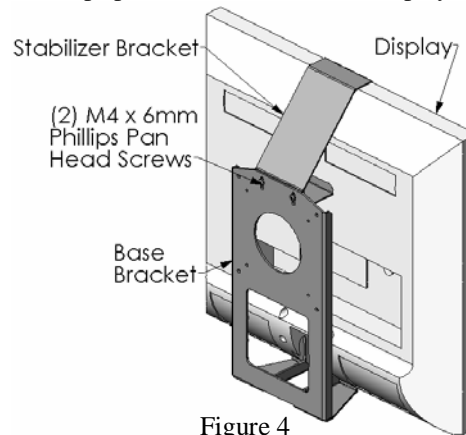


Figure 4

### Interface installation

#### **2a. If using with any small flat screen system using Chief Manufacturing's Q2 (5" x 5") mounting system.**

1. Assemble four mounting buttons to 5" (outer holes) pattern on the adapter brackets using four 10-24 x .625" Phillips pan head screws (see Figure 4).
2. Secure brackets together using four M4 X 6mm Phillips pan head screws (see Figure 4).
3. Secure adapter bracket to any mounting device using Chief Manufacturing's Q2 (5" x 5") mounting system.

#### **2b. Optional VESA Mounting**

1. Assemble four 10-24 x .25" Phillips pan head screws to 5" (outer holes) pattern on the adapter brackets (see Figure 5).
2. Using four inside tapped holes of interface bracket and M4 x 8mm Phillips head screws (provided), secure adapter bracket to any mounting device using a 100mm x 100mm VESA pattern.

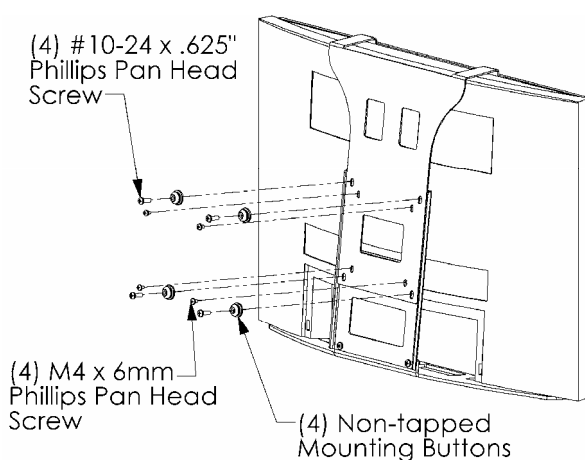


Figure 4

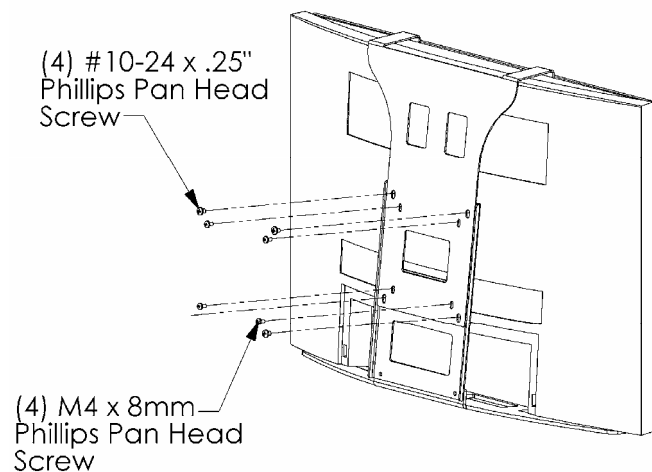


Figure 5