

INSTALLATION INSTRUCTIONS

FSB-4237 DISPLAY MOUNTING BRACKET

Prior to assembly, unpack carton completely and verify contents.

If you are missing any of the following components, please contact Customer Service at 1-800/582-6480

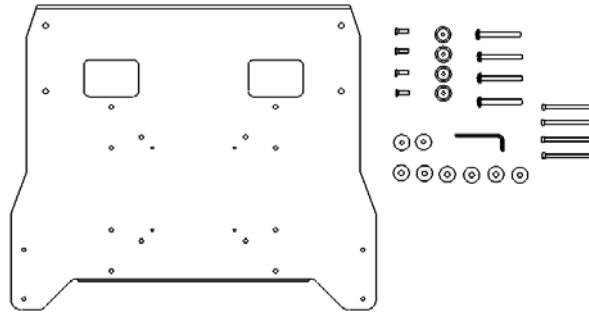


Figure 1

- (1) Interface Bracket
- (4) Mounting Buttons – Tapped
- (4) M6 x 50mm Phillips Pan Head Screws
- (1) 3mm Hex Key

- (6) .750 x .250 x .250 Nylon Spacers
- (4) 10-24 x .500 Phillips Pan Head Screws
- (2) .750 x .194 x .500 Nylon Spacers
- (4) M4 x 60mm Socket Head Cap Screws

BEFORE PROCEEDING, READ INSTALLATION INSTRUCTIONS COMPLETELY

CAUTION! DISPLAYS ARE EXTREMELY FRAGILE.

NOTE: If installing screen on a Chief F-series swing arm mount, proceed to Step 2.

1. **Chief Q₂ Button Installation (Used with M-series mounts):**

Using a 10-24 button head cap screw inserted from back side of bracket, secure mounting button, with chamfered hole of mounting button (larger surface) facing bracket (four places) (see Figure 2 & Figure3).

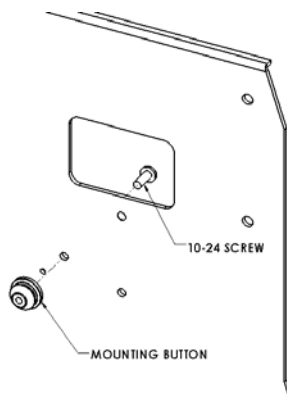


Figure 2

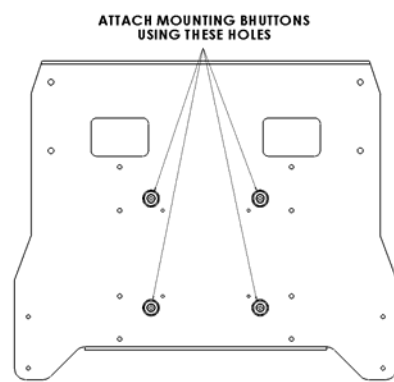


Figure 3

2. **Bracket Installation:** Place nylon spacers over mounting holes of screen and attach brackets to back of display using the nylon spacers along with the M6 & M4 screws (see Figure 4 & Figure 5). Do not over tighten screws.

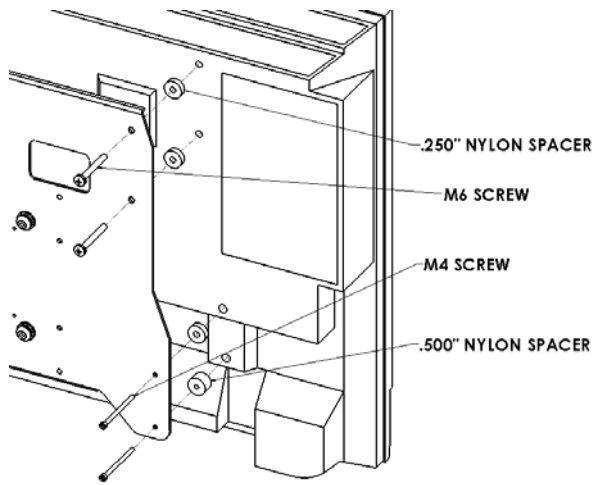
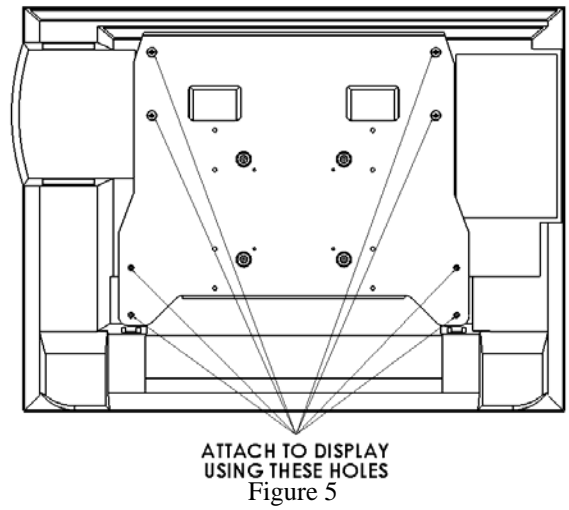


Figure 4



3. Follow the Chief mount instruction manual for screen installation.

