

INSTALLATION INSTRUCTIONS

FSB-4239 DISPLAY MOUNTING BRACKET

Prior to assembly, unpack carton completely and verify contents.

If you are missing any of the following components, please contact Customer Service at 1-800/582-6480

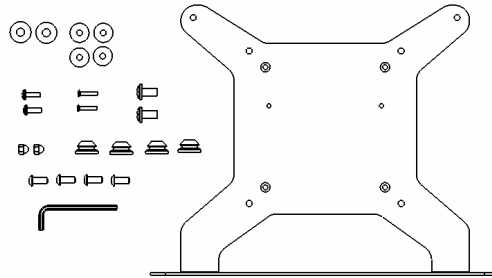


Figure 1

- (1) Interface Bracket
- (4) Mounting Buttons – Tapped
- (2) 1/4-20 Phillips Pan Head Screws
- (2) M4 Acorn Nuts
- (1) 1/8" Hex Key

- (4) .625 x .194 x .125 Nylon Spacers
- (4) 10-24 x .500 Button Head Cap Screws
- (2) .687 x .260 x .062 Nylon Spacers
- (2) M3 x 16mm Philips Flat Head Screws
- (2) M4 x 12mm Philips Pan Head Screws

BEFORE PROCEEDING, READ INSTALLATION INSTRUCTIONS COMPLETELY

CAUTION! DISPLAYS ARE EXTREMELY FRAGILE.

NOTE: If installing screen on a Chief F-series swing arm mount, proceed to Step 2.

1. **Chief Q₂ Button Installation (Used with FSM, FPM, FSP, FDP mounts):**

Using a 10-24 button head cap screw inserted from back side of bracket, secure mounting button, with chamfered hole of mounting button (larger surface) facing bracket (four places) (see Figure 2 & Figure3).

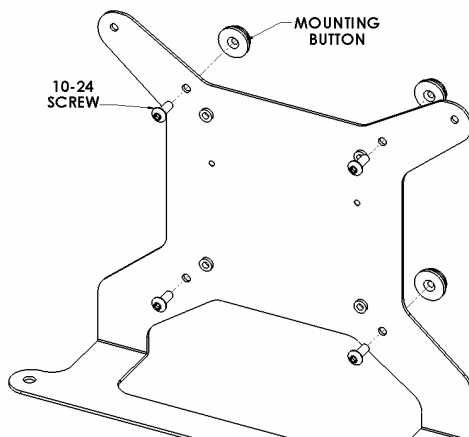


Figure 2

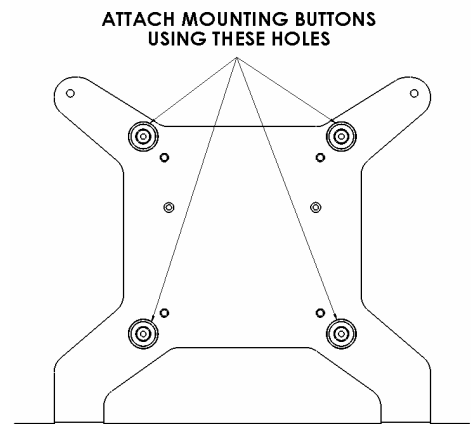


Figure 3

2. **Bracket Installation:** Lay the TV screen down on a flat surface. Remove table stand brace, antenna holder and rubber tipped feet.

Insert M4 screws into keyhole slots in back of TV. Place 1/8" nylon washers over M4 screws (see Figure 4).

Place remaining 1/8" spacers over table stand brace holes in back of display. Place interface bracket over M4 screws and use 1/4-20 screws and .063" spacers to secure bracket to bottom of TV (see Figure 5).

Insert M3 screws and acorn nuts. M4 screws should be fully seated in keyhole slots. Tighten all fasteners (See Figure 6).

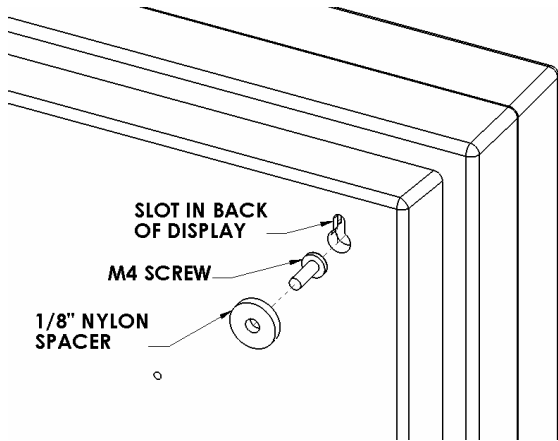


Figure 4

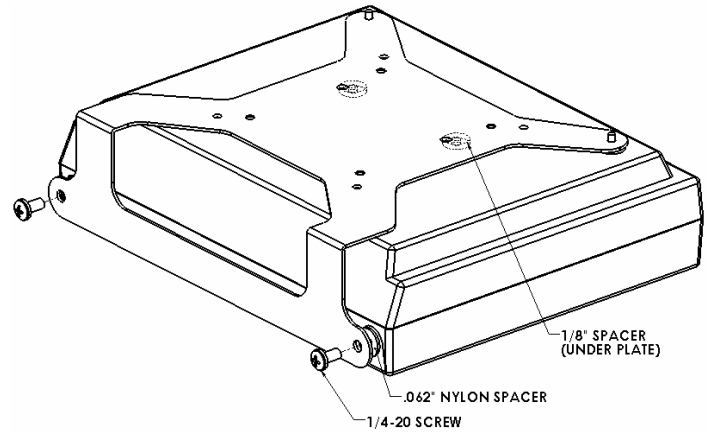


Figure 5

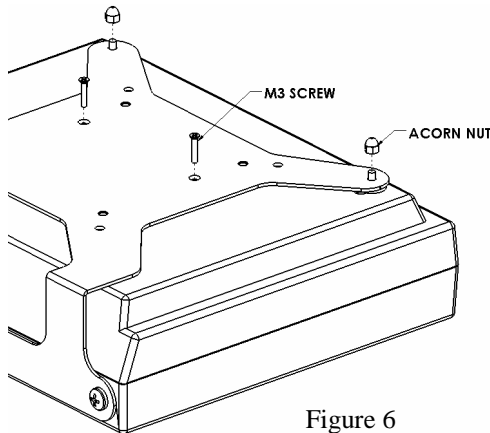
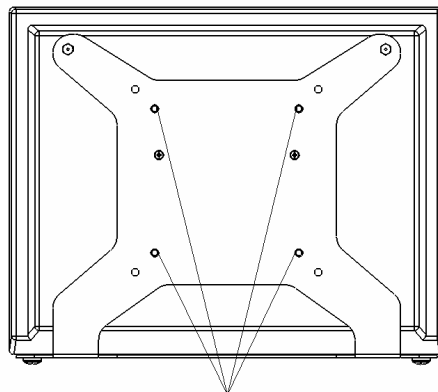


Figure 6

3. Follow the Chief mount instruction manual for screen installation.



ATTACH TO CENTRIS TYPE MOUNT USING THESE HOLES