

INSTALLATION INSTRUCTIONS

FSB-4241 DISPLAY MOUNTING BRACKET

Prior to assembly, unpack carton completely and verify contents.

If you are missing any of the following components, please contact Customer Service at 1-800/582-6480

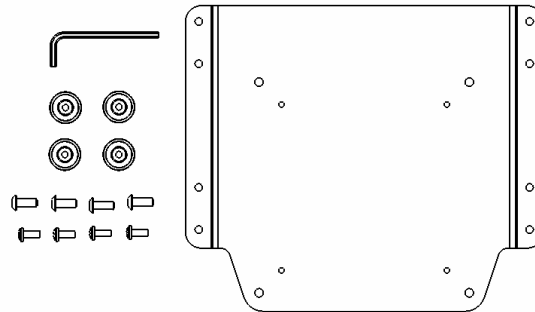


Figure 1

- (1) Interface Bracket
- (4) Mounting Buttons – Tapped
- (4) M4 x 12mm Philips Head Screws

- (1) 1/8" Hex Key
- (4) 10-24 x .500 Button Head Cap Screws

BEFORE PROCEEDING, READ INSTALLATION INSTRUCTIONS COMPLETELY

CAUTION! **DISPLAYS ARE EXTREMELY FRAGILE.**

NOTE: If installing screen on a Chief F-series swing arm mount, proceed to Step 2.

1. **Chief Q₂ Button Installation (Used with M-series mounts):**

Using a 10-24 button head cap screw inserted from back side of bracket, secure mounting button, with chamfered hole of mounting button (larger surface) facing bracket (four places) (see Figure 2 & Figure3).

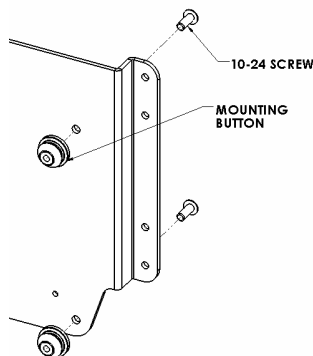


Figure 2

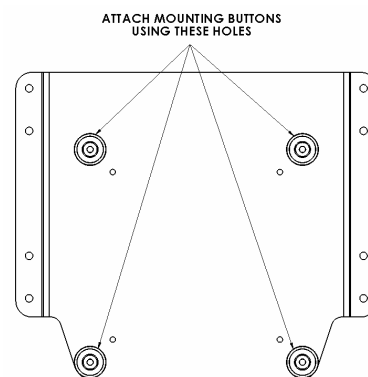
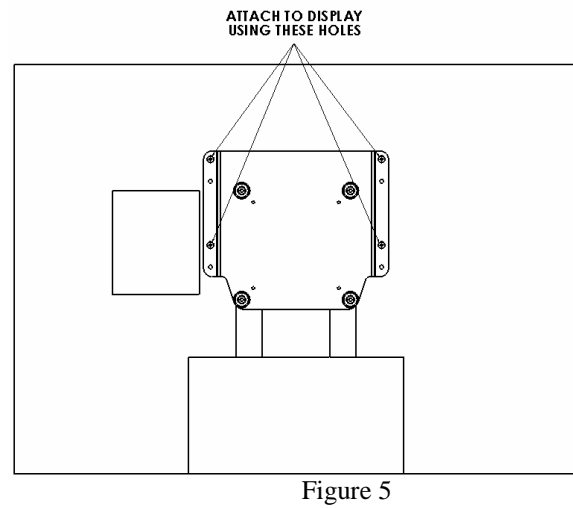
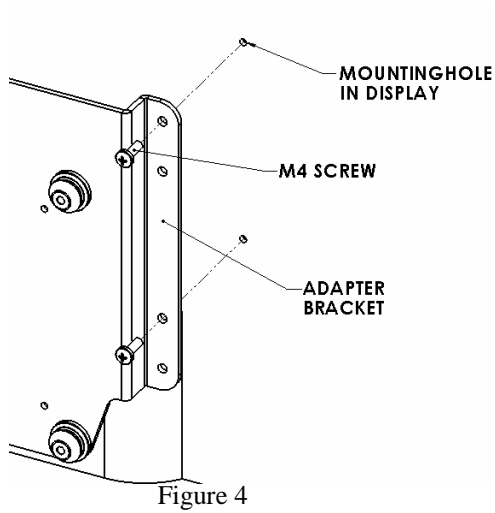


Figure 3

2. **Bracket Installation:** Chose the set of holes in the bracket that best centers the bracket on the back of the display. Attach bracket to back of display using M4 screws (see Figure 4 & Figure 5). Do not over tighten screws.



3. Follow the Chief mount instruction manual for screen installation.

