

INSTALLATION INSTRUCTIONS

FSB-4243 DISPLAY MOUNTING BRACKET

Prior to assembly, unpack carton completely and verify contents.

If you are missing any of the following components, please contact Customer Service at 1-800/582-6480

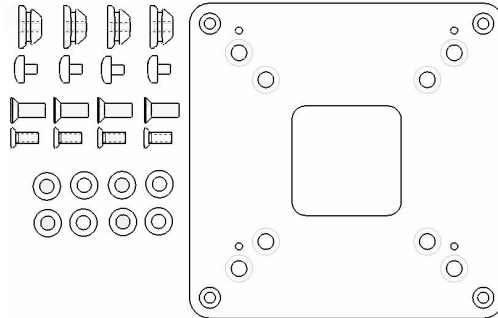


Figure 1

- (1) Interface Bracket
- (4) Mounting Buttons – Tapped
- (4) M6 x 16mm Phillips Pan Head Screws

- (8) .500 x .260 x .125 Nylon Spacers
- (4) 10-24 x .500 Phillips Pan Head Screws
- (4) M4 x 6mm Phillips Pan Machine Screws

BEFORE PROCEEDING, READ INSTALLATION INSTRUCTIONS COMPLETELY

CAUTION! **DISPLAYS ARE EXTREMELY FRAGILE.**

NOTE: If installing screen on a Chief F-series swing arm mount, proceed to Step 2.

1. **Chief Q₂ Button Installation (Used with M-series mounts):**

Using a 10-24 button head cap screw inserted from back side of bracket, secure mounting button, with chamfered hole of mounting button (larger surface) facing bracket (four places) (see Figure 2 & Figure3).

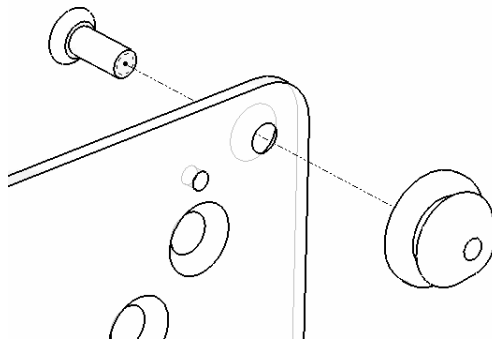


Figure 2

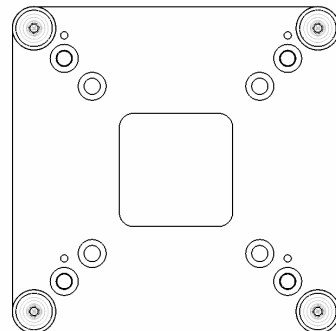


Figure 3

2. **Bracket Installation:** Place nylon spacers over mounting holes of screen and attach brackets to back of display using the nylon spacers along with the M6 screws (see Figure 4 & Figure 5). Do not over tighten screws. Stack spacers if needed.

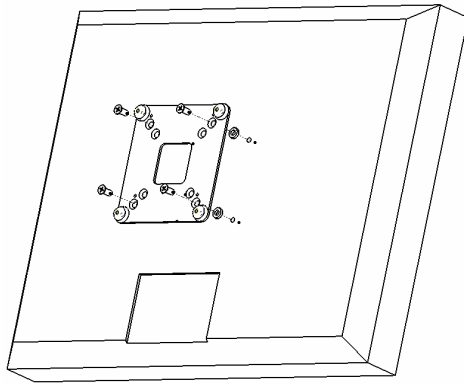
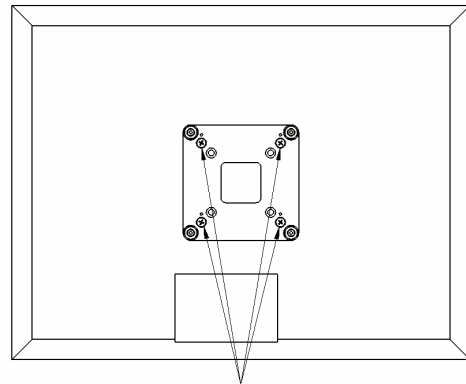
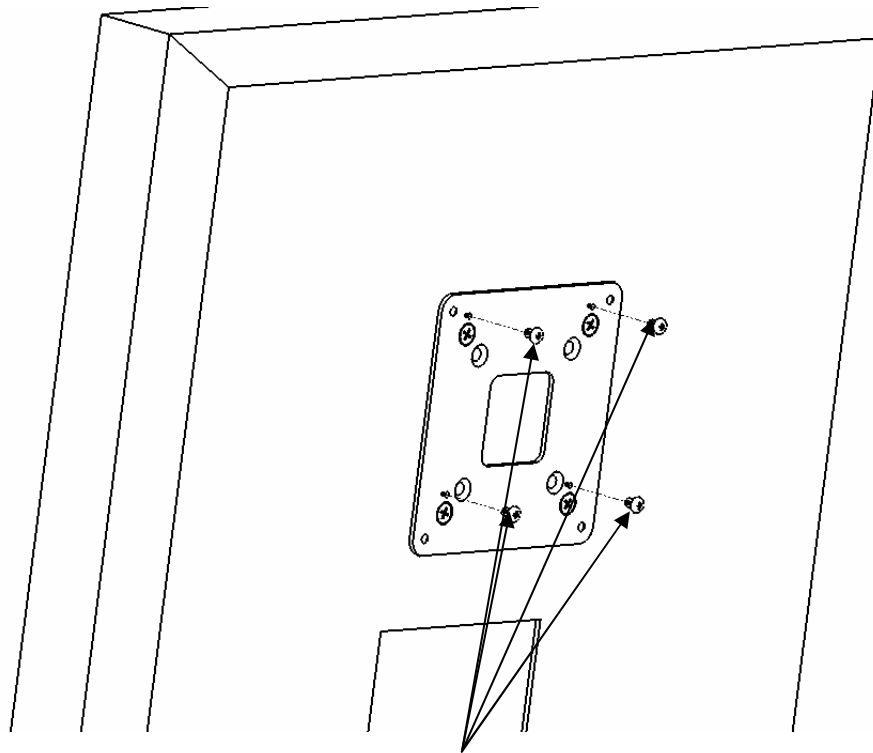


Figure 4



ATTACH TO DISPLAY
USING THESE HOLES
Figure 5

3. Follow the Chief mount instruction manual for screen installation.



Use these holes when attaching to F-series mounts