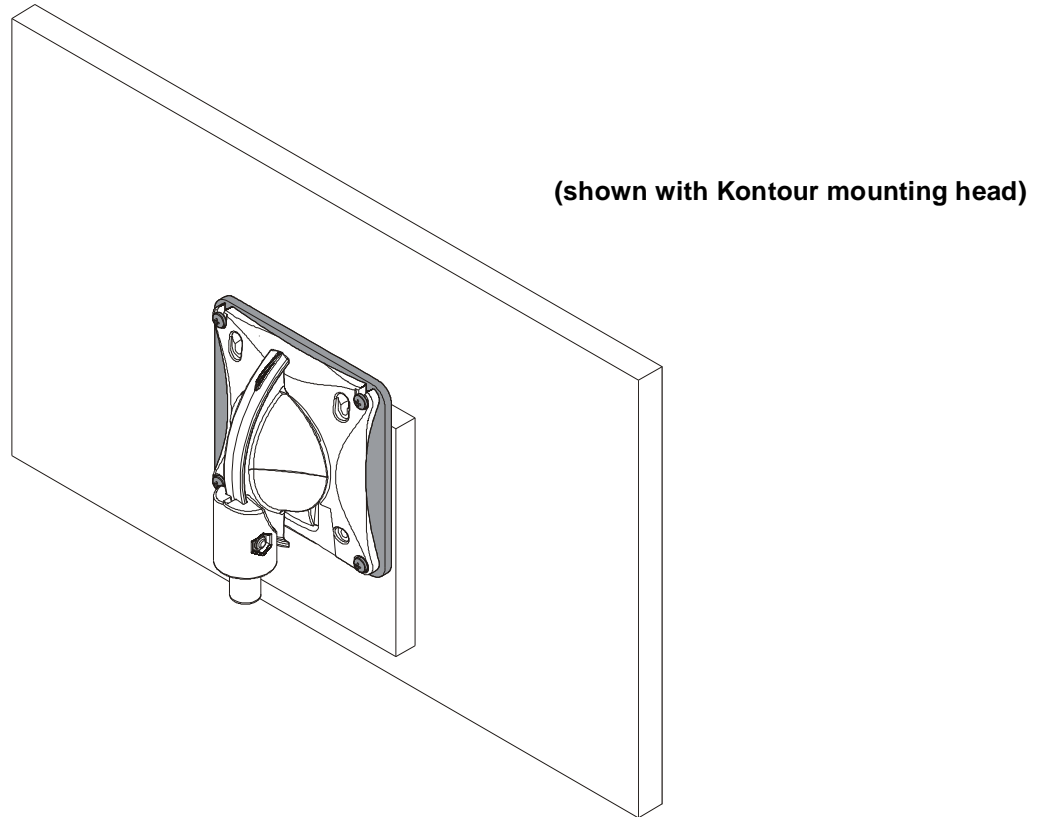

INSTALLATION INSTRUCTIONS



Flat Panel Interface Bracket

DISCLAIMER

Milestone AV Technologies and its affiliated corporations and subsidiaries (collectively "Milestone"), intend to make this manual accurate and complete. However, Milestone makes no claim that the information contained herein covers all details, conditions or variations, nor does it provide for every possible contingency in connection with the installation or use of this product. The information contained in this document is subject to change without notice or obligation of any kind. Milestone makes no representation of warranty, expressed or implied, regarding the information contained herein. Milestone assumes no responsibility for accuracy, completeness or sufficiency of the information contained in this document.

Chief® is a registered trademark of Milestone AV Technologies. All rights reserved.

! IMPORTANT SAFETY INSTRUCTIONS

! WARNING: A WARNING alerts you to the possibility of serious injury or death if you do not follow the instructions.

! CAUTION: A CAUTION alerts you to the possibility of damage or destruction of equipment if you do not follow the corresponding instructions.

! WARNING: Failure to read, thoroughly understand, and follow all instructions can result in serious personal injury, damage to equipment, or voiding of factory warranty! It is the installer's responsibility to make sure all components are properly assembled and installed using the instructions provided.

! WARNING: Failure to provide adequate structural strength for this component can result in serious personal injury or damage to equipment! It is the installer's responsibility to make sure the structure to which this component is attached can support five times the combined weight of all equipment. Reinforce the structure as required before installing the component.

! WARNING: Exceeding the weight capacity can result in serious personal injury or damage to equipment! It is the installer's responsibility to make sure the combined weight of all components located between the FSB4246 does not exceed the weight limit of the mount to which it is being attached.

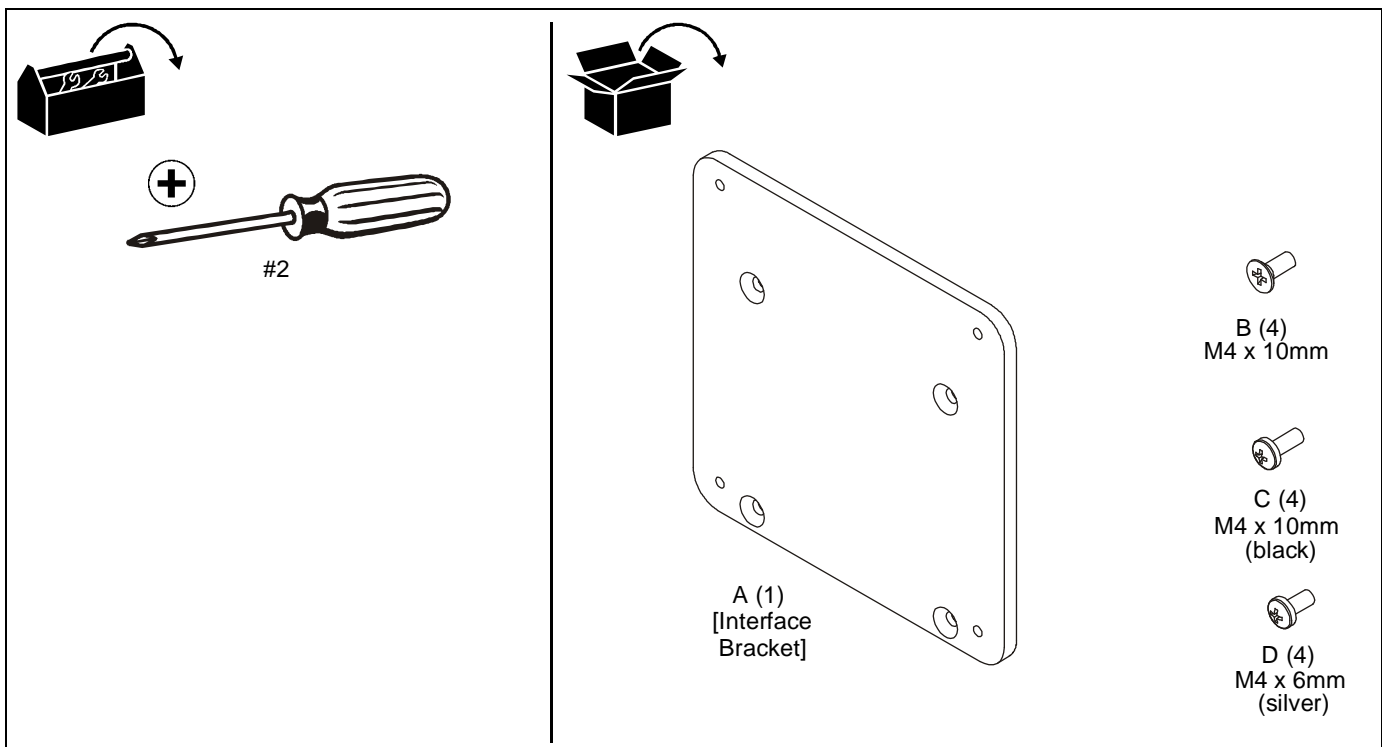
! WARNING: Use this mounting system only for its intended use as described in these instructions. Do not use attachments not recommended by the manufacturer.

! WARNING: Never operate this mounting system if it is damaged. Return the mounting system to a service center for examination and repair.

! WARNING: Do not use this product outdoors.

--SAVE THESE INSTRUCTIONS--

TOOLS / PARTS FOR INSTALLATION



ASSEMBLY AND INSTALLATION

Attach Interface to Display

1. Use four M4 x10mm Phillips flat head screws (B) to secure interface bracket (A) to back of display. (See Figure 1)

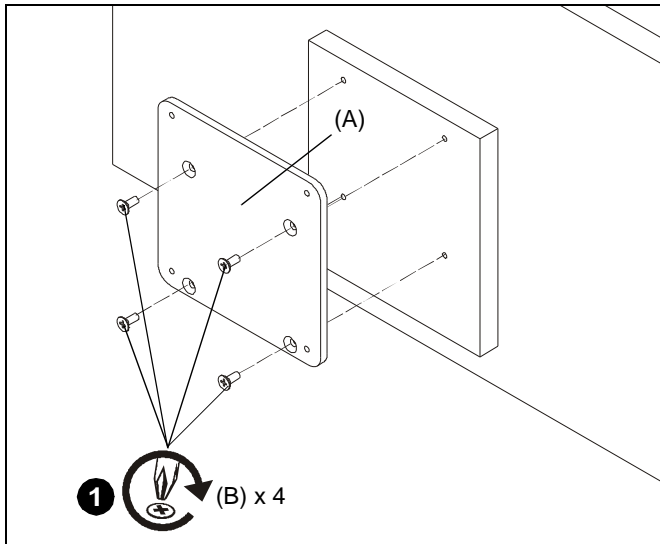


Figure 1

NOTE: Installation varies depending on the type of mount. Refer to corresponding section to attach to mount.

To K1 Series Mount

1. Remove faceplate from K1 Series mount following to K1 Series Installation Instructions.
2. Use four M4 x 10mm Phillips pan machine screws (C) (black) to secure K1 Series faceplate to interface bracket (A). (See Figure 2)
3. Slide K1 Series faceplate back onto mounting head. (See Figure 2)

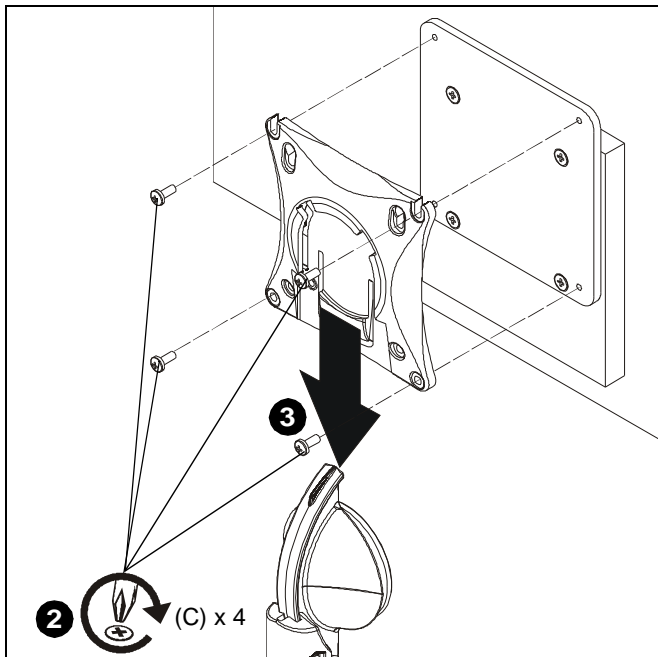


Figure 2

To K-Series/K3 Series/K4 Series

1. Using Phillips screwdriver, carefully install two M4 x 6mm Phillips pan machine screws (D) (silver) into the *upper* mounting holes on the interface bracket (A). Thread screws completely into interface bracket (A), then back out 3 complete turns. (See Figure 3)
2. Pick up and align display so that screws (D) (installed on the back of the interface bracket in the previous step) fit into the mounting holes on the faceplate. Lower the display firmly into place. (See Figure 3)

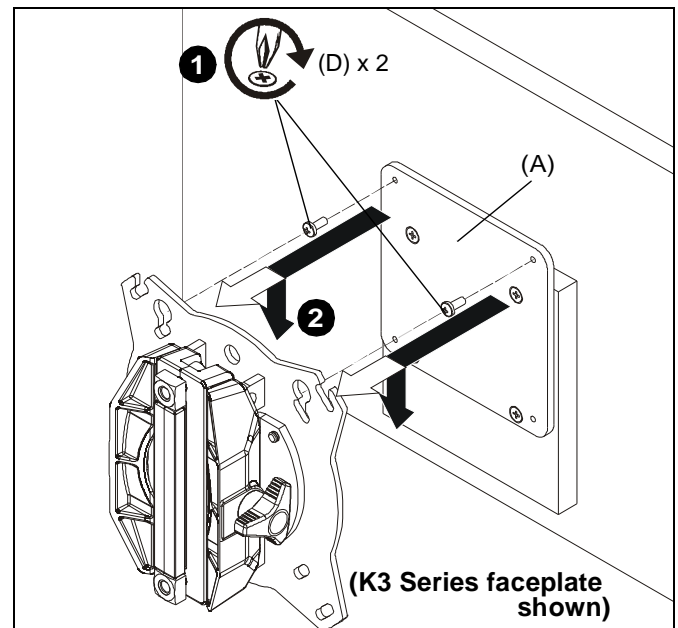


Figure 3

3. Using Phillips screwdriver, install two M4 x 6mm Phillips pan machine screws (D) through the *lower* mounting holes on faceplate into the interface bracket (A). (See Figure 4)
4. Tighten all four screws (D). (See Figure 4)

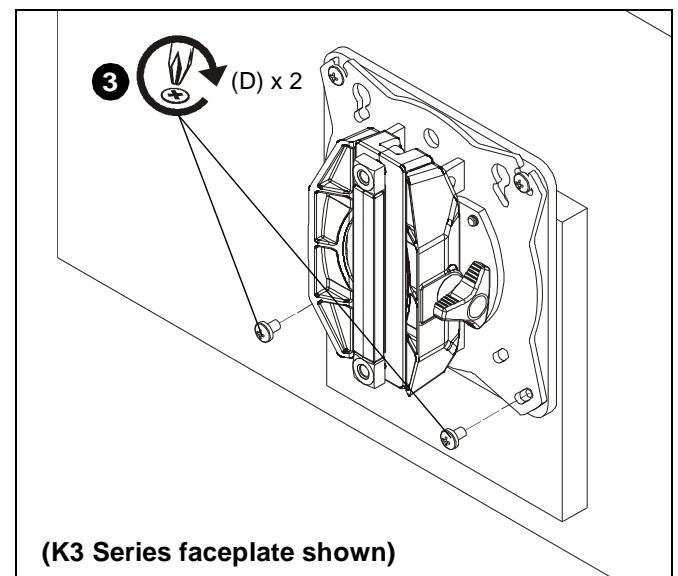


Figure 4



Our Mounts. **Your Vision.**

Chief Manufacturing, a products division
of Milestone AV Technologies

8800-002368 Rev00
©2013 Milestone AV Technologies, a
Duchossois Group Company
www.chiefmfg.com
04/13

USA/International	A 6436 City West Parkway, Eden Prairie, MN 55344 P 800.582.6480 / 952.225.6000 F 877.894.6918 / 952.894.6918
Europe	A Franklinstraat 14, 6003 DK Weert, Netherlands P +31 (0) 495 580 852 F +31 (0) 495 580 845
Asia Pacific	A Office No. 1 on 12/F, Shatin Galleria 18-24 Shan Mei Street Fotan, Shatin, Hong Kong P 852 2145 4099 F 852 2145 4477

