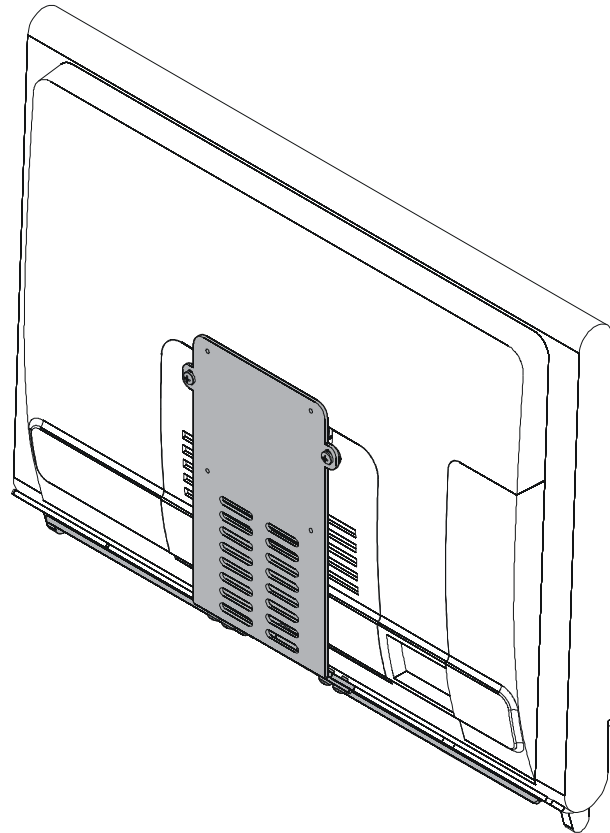

INSTALLATION INSTRUCTIONS



Small Flat Panel Adapter

DISCLAIMER

Milestone AV Technologies and its affiliated corporations and subsidiaries (collectively "Milestone"), intend to make this manual accurate and complete. However, Milestone makes no claim that the information contained herein covers all details, conditions or variations, nor does it provide for every possible contingency in connection with the installation or use of this product. The information contained in this document is subject to change without notice or obligation of any kind. Milestone makes no representation of warranty, expressed or implied, regarding the information contained herein. Milestone assumes no responsibility for accuracy, completeness or sufficiency of the information contained in this document.

Chief® is a registered trademark of Milestone AV Technologies. All rights reserved.

! IMPORTANT WARNINGS AND CAUTIONS!

! WARNING: A WARNING alerts you to the possibility of serious injury or death if you do not follow the instructions.

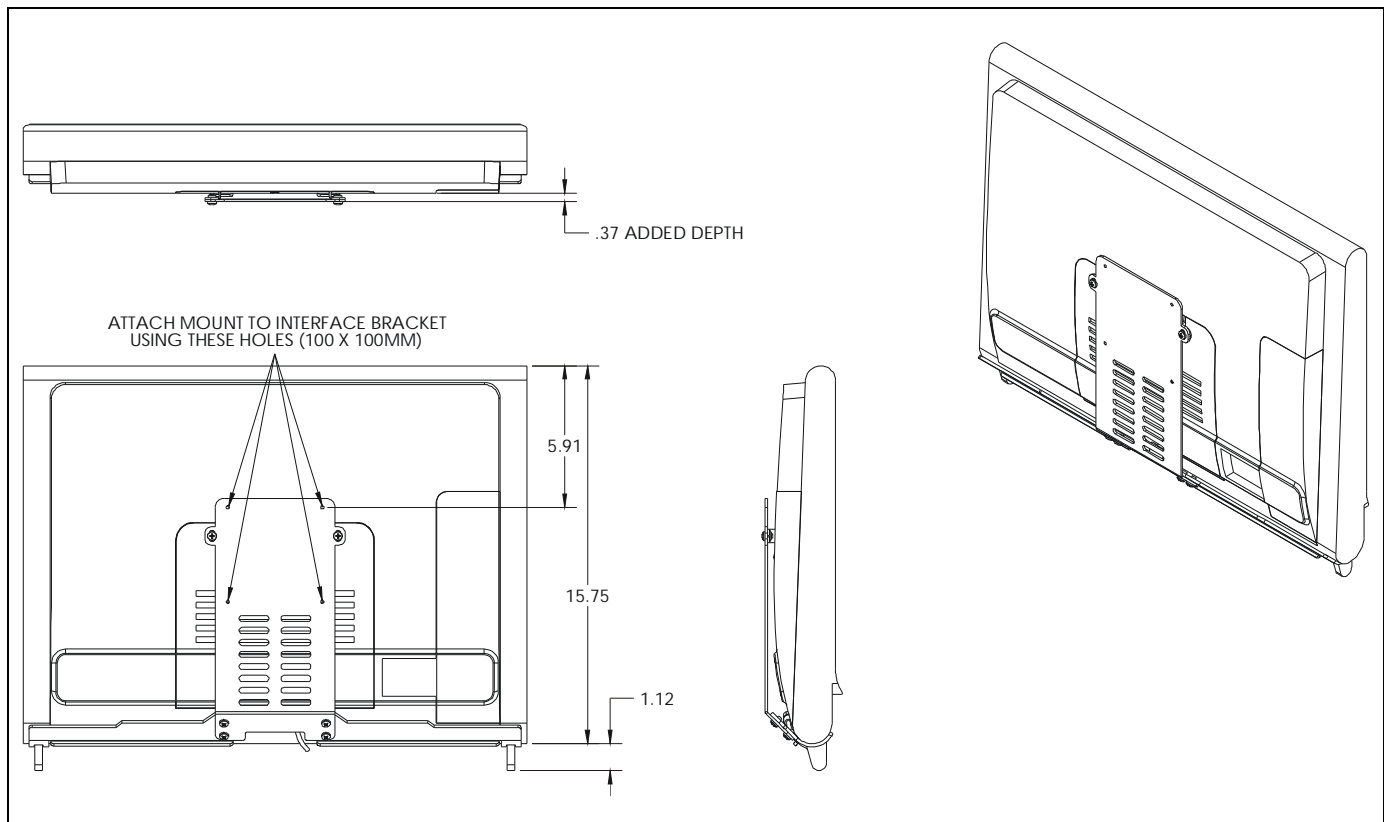
! CAUTION: A CAUTION alerts you to the possibility of damage or destruction of equipment if you do not follow the corresponding instructions.

! WARNING: Failure to read, thoroughly understand, and follow all instructions can result in serious personal injury, damage to equipment, or voiding of factory warranty! It is the installer's responsibility to make sure all components are properly assembled and installed using the instructions provided.



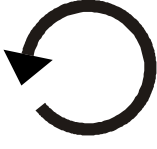


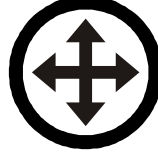






! WARNING: Failure to provide adequate structural strength for this component can result in serious personal injury or damage to equipment! It is the installer's responsibility to make sure the structure to which this component is attached can support five times the combined weight of all equipment. Reinforce the structure as required before installing the component. The wall to which the mount is being attached may have a maximum drywall thickness of 5/8" (1.6cm).

! WARNING: Exceeding the weight capacity can result in serious personal injury or damage to equipment! It is the installer's responsibility to make sure the combined weight of all components located between the FSB-4922 up to (and including) the display/projector does not exceed 25 lbs (11.34 kg). Use with products heavier than the maximum weight indicated may result in collapse of the mount and its accessories causing possible injury.

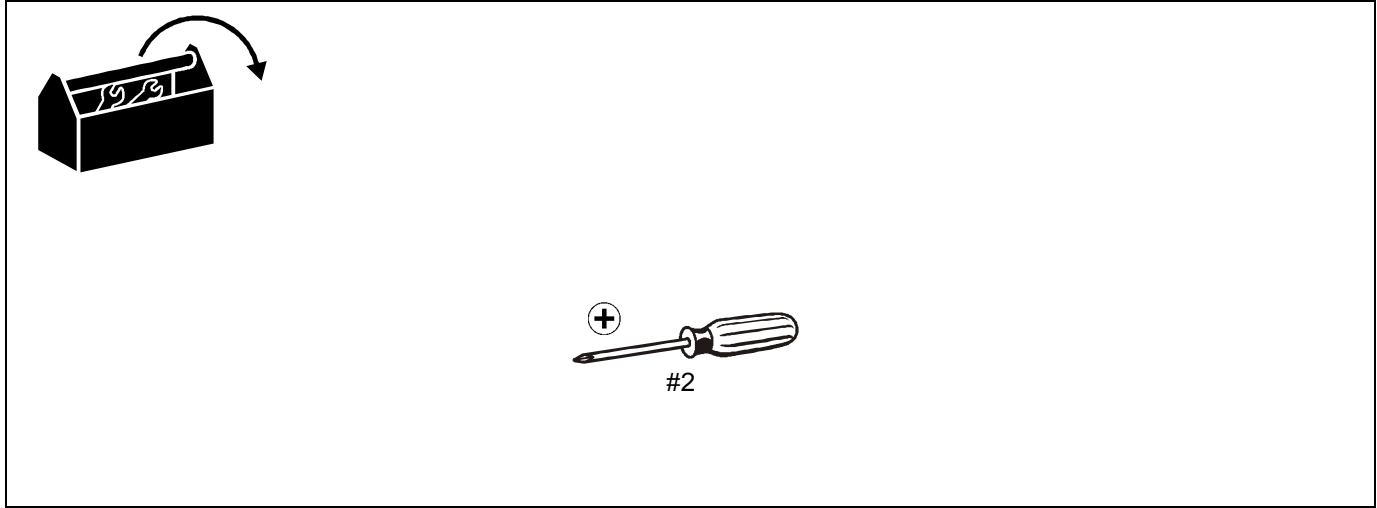
DIMENSIONS



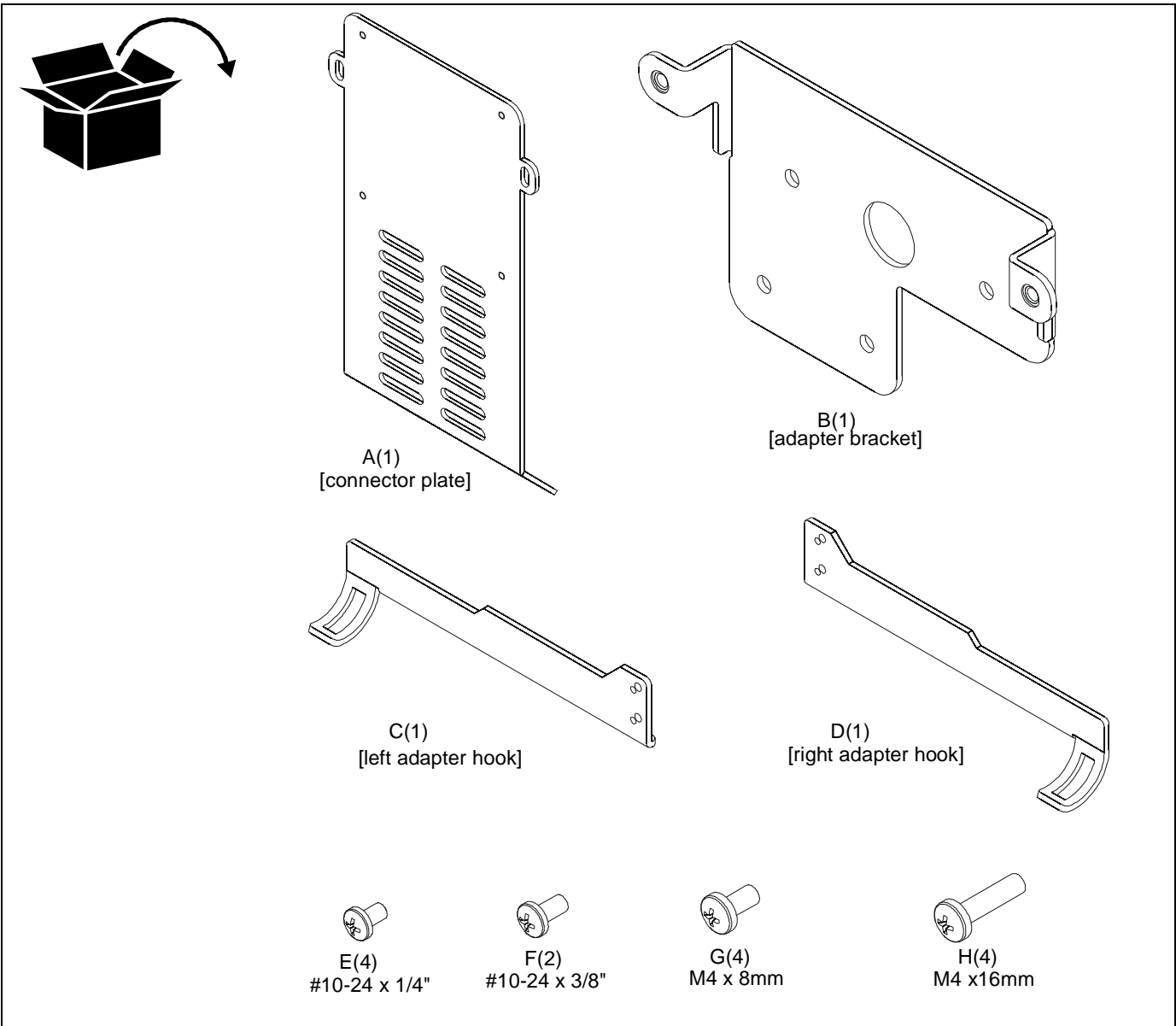
LEGEND

	<p>Tighten Fastener Apretar elemento de fijación Befestigungsteil festziehen Apertar fixador Serrare il fissaggio Bevestiging vastdraaien Serrez les fixations</p>		<p>Pencil Mark Marcar con lápiz Stiftmarkierung Marcar com lápis Segno a matita Potloodmerkteken Marquage au crayon</p>
	<p>Loosen Fastener Aflojar elemento de fijación Befestigungsteil lösen Desapertar fixador Allentare il fissaggio Bevestiging losdraaien Desserrez les fixations</p>		<p>Drill Hole Perforar Bohrloch Fazer furo Praticare un foro Gat boren Percez un trou</p>
	<p>Phillips Screwdriver Destornillador Phillips Kreuzschlitzschraubendreher Chave de fendas Phillips Cacciavite a stella Kruiskopschroevendraaier Tournevis à pointe cruciforme</p>		<p>Adjust Ajustar Einstellen Ajustar Regolare Afstellen Ajuster</p>
	<p>Open-Ended Wrench Llave de boca Gabelschlüssel Chave de bocas Chiave a punte aperte Steeksleutel Clé à fourche</p>		<p>Remove Quitar Entfernen Remover Rimuovere Verwijderen Retirez</p>
	<p>By Hand A mano Von Hand Com a mão A mano Met de hand À la main</p>		<p>Optional Opcional Optional Opcional Opzionale Optie En option</p>
	<p>Hex-Head Wrench Llave de cabeza hexagonal Sechskantschlüssel Chave de cabeça sextavada Chiave esagonale Zeskantsleutel Clé à tête hexagonale</p>		<p>Security Wrench Llave de seguridad Sicherheitsschlüssel Chave de segurança Chiave di sicurezza Veiligheidssleutel Clé de sécurité</p>

TOOLS REQUIRED FOR INSTALLATION



PARTS



Assembly And Installation

Connecting to Display

1. Unplug the power cord and any cables from HP DX9000 monitor.
2. Lay the display face down on a soft cloth or other soft surface.
3. Lift stand to expose screw that holds back cover panel in place.
4. Remove screw that holds back cover panel in place. (See Figure 1)
5. Remove back cover panel by pulling up at the very bottom of the cover panel and then sliding it down towards the bottom of the monitor until it is removed. (See Figure 1)

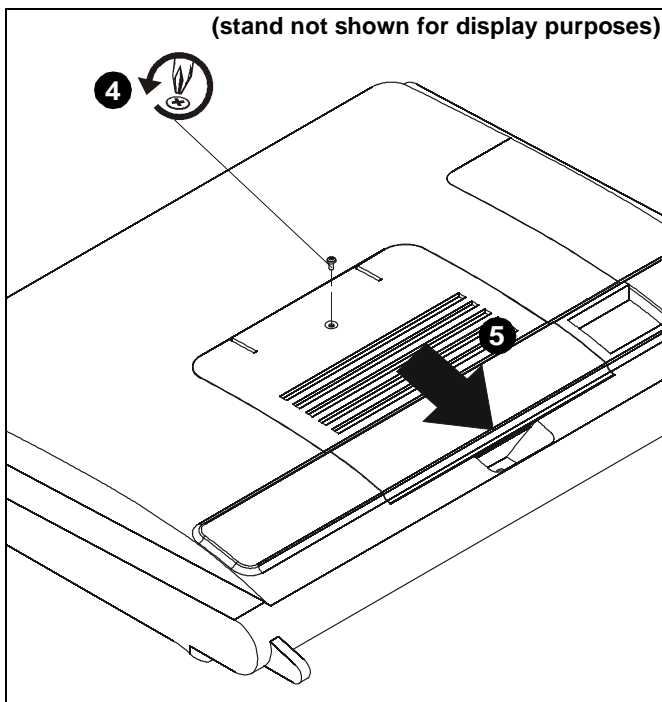


Figure 1

6. Remove four screws holding stand assembly to back of monitor in the following order:

IMPORTANT ! : It is important to remove the screws in the exact order specified below!

- Pull up the stand and remove the top two screws. (See Figure 2)
- Lower the stand and remove the bottom two screws. (See Figure 2)

NOTE: Set screws removed in Step 6 aside for reuse.

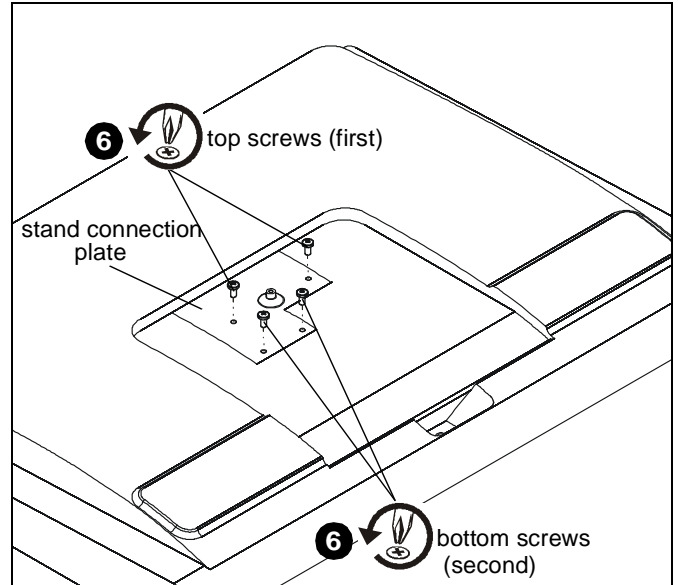


Figure 2

7. Carefully remove stand from back of display.
8. Attach adapter bracket (B) to back of display using four screws removed in Step 6. (See Figure 3)

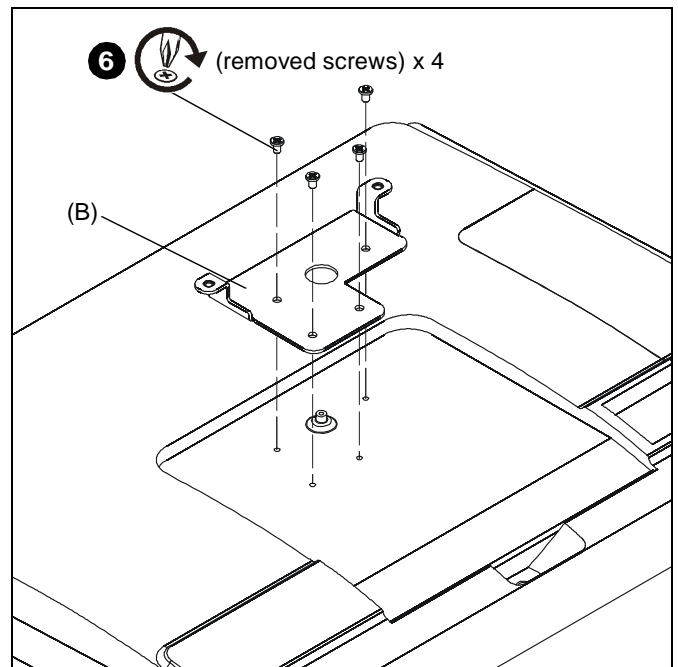


Figure 3

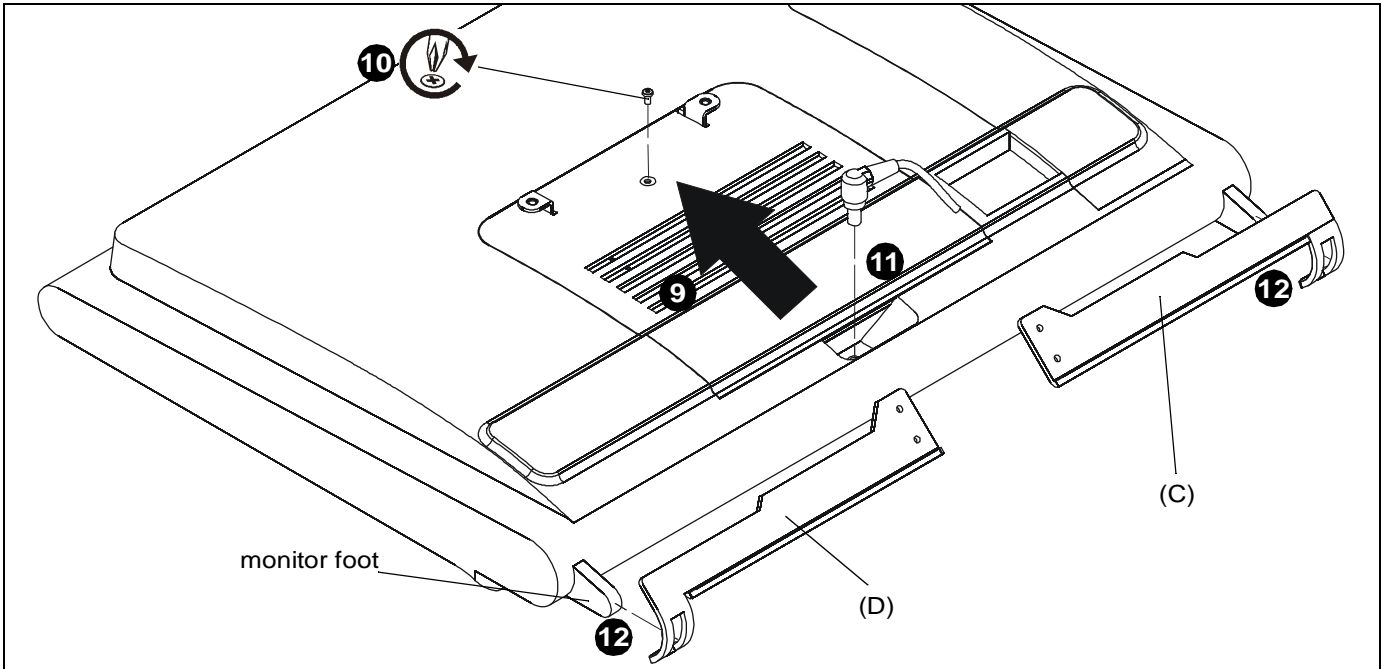


Figure 4

9. Replace back cover on top of adapter. (See Figure 4)
10. Secure back cover by reinstalling screw removed in Step 4. (See Figure 4)
11. Plug in power cord to monitor. (See Figure 4)
12. Insert monitor feet into outside slots on hook brackets (C and D). (See Figure 4)
13. Use two #10-24 x 3/8" Phillips pan head screws (F) to secure connector plate (A) to adapter bracket (B). (See Figure 5)

14. Use four #10-24 x 1/4" Phillips pan head screws (E) to secure connector plate (A) to hook brackets (C and D). (See Figure 5)

Mounting Display with Mounting Buttons



WARNING: Exceeding the weight capacity can result in serious personal injury or damage to equipment! It is the installer's responsibility to make sure the combined weight of all components located between the FSB-4922 up to (and including) the display/projector does not exceed 25 lbs (11.34 kg). Use with products heavier than the maximum weight indicated may result in collapse of the mount and its accessories causing possible injury.

1. Attach the mounting buttons provided with the mount to the connector plate (A) using the four M4 x16mm Phillips pan head screws (H). (See Figure 6)

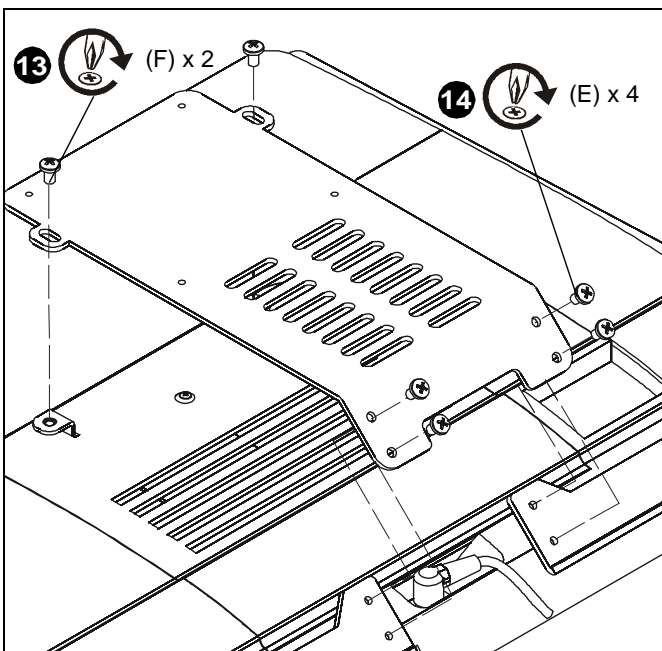


Figure 5

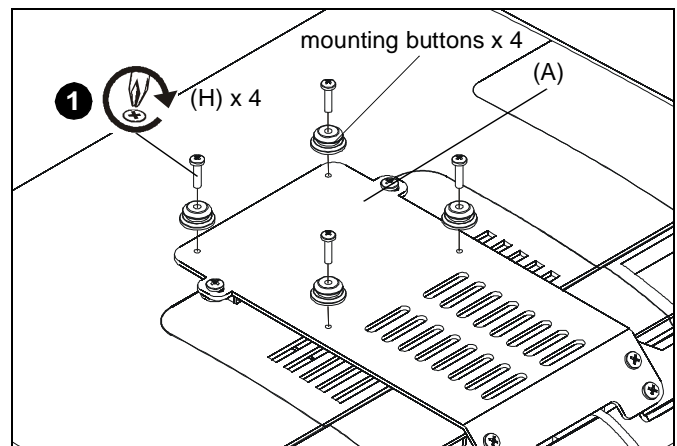


Figure 6

2. Attach to mount according installation instructions of the mount.

Mounting Display without Mounting Buttons



WARNING: Exceeding the weight capacity can result in serious personal injury or damage to equipment! It is the installer's responsibility to make sure the combined weight of all components located between the FSB-4922 up to (and including) the display/projector does not exceed 25 lbs (11.34 kg). Use with products heavier than the maximum weight indicated may result in collapse of the mount and its accessories causing possible injury.

1. Attach connection plate (A) to mount using four M4 x 8mm Phillips pan head screws (G) on mounts not requiring mounting buttons. (See Figure 7)

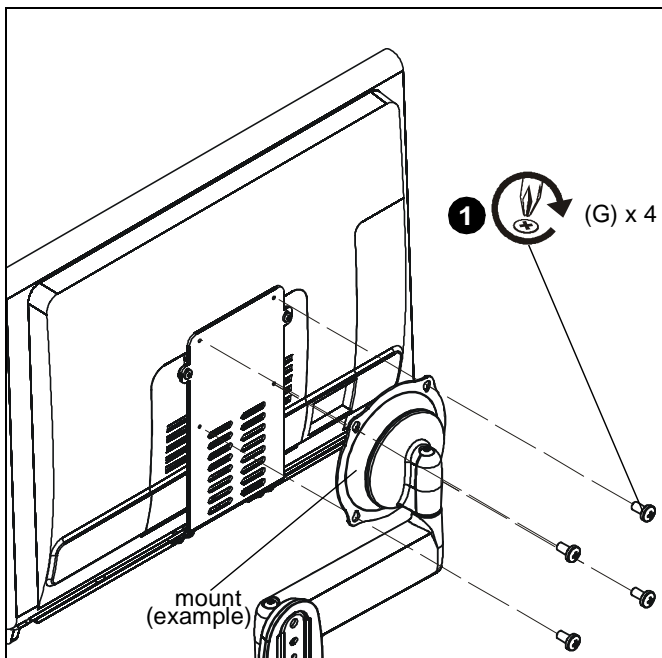


Figure 7



Our Mounts. **Your Vision.**

Chief Manufacturing, a products division
of Milestone AV Technologies

8804-002011 Rev00
©2009 Milestone AV Technologies, a
Duchossois Group Company
www.chiefmfg.com
09/09

USA/International A 8401 Eagle Creek Parkway, Savage, MN 55378
P 800.582.6480 / 952.894.6280
F 877.894.6918 / 952.894.6918

Europe A Fellenoord 130 5611 ZB EINDHOVEN, The Netherlands
P +31 (0)40 2668620
F +31 (0)40 2668615

Asia Pacific A Room 24F, Block D, Lily YinDu International Building
LuoGang, BuJi Town, Shenzhen, CHINA.
深圳市布吉罗岗村百合银都国际大厦D栋24F
P +86-755-8996 9226
F +86-755-8996 9217

