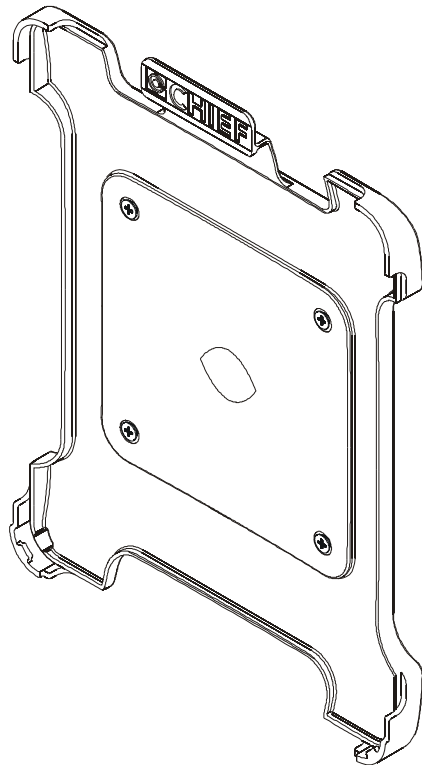

INSTALLATION INSTRUCTIONS



Custom iPad™ Interface Adapter

DISCLAIMER

Milestone AV Technologies and its affiliated corporations and subsidiaries (collectively "Milestone"), intend to make this manual accurate and complete. However, Milestone makes no claim that the information contained herein covers all details, conditions or variations, nor does it provide for every possible contingency in connection with the installation or use of this product. The information contained in this document is subject to change without notice or obligation of any kind. Milestone makes no representation of warranty, expressed or implied, regarding the information contained herein. Milestone assumes no responsibility for accuracy, completeness or sufficiency of the information contained in this document.

Chief® is a registered trademark of Milestone AV Technologies. All rights reserved.



CAUTION: A CAUTION alerts you to the possibility of damage or destruction of equipment if you do not follow the corresponding instructions.



WARNING: Failure to read, thoroughly understand, and follow all instructions can result in serious personal injury, damage to equipment, or voiding of factory warranty! It is the installer's responsibility to make sure all components are properly assembled and installed using the instructions provided.

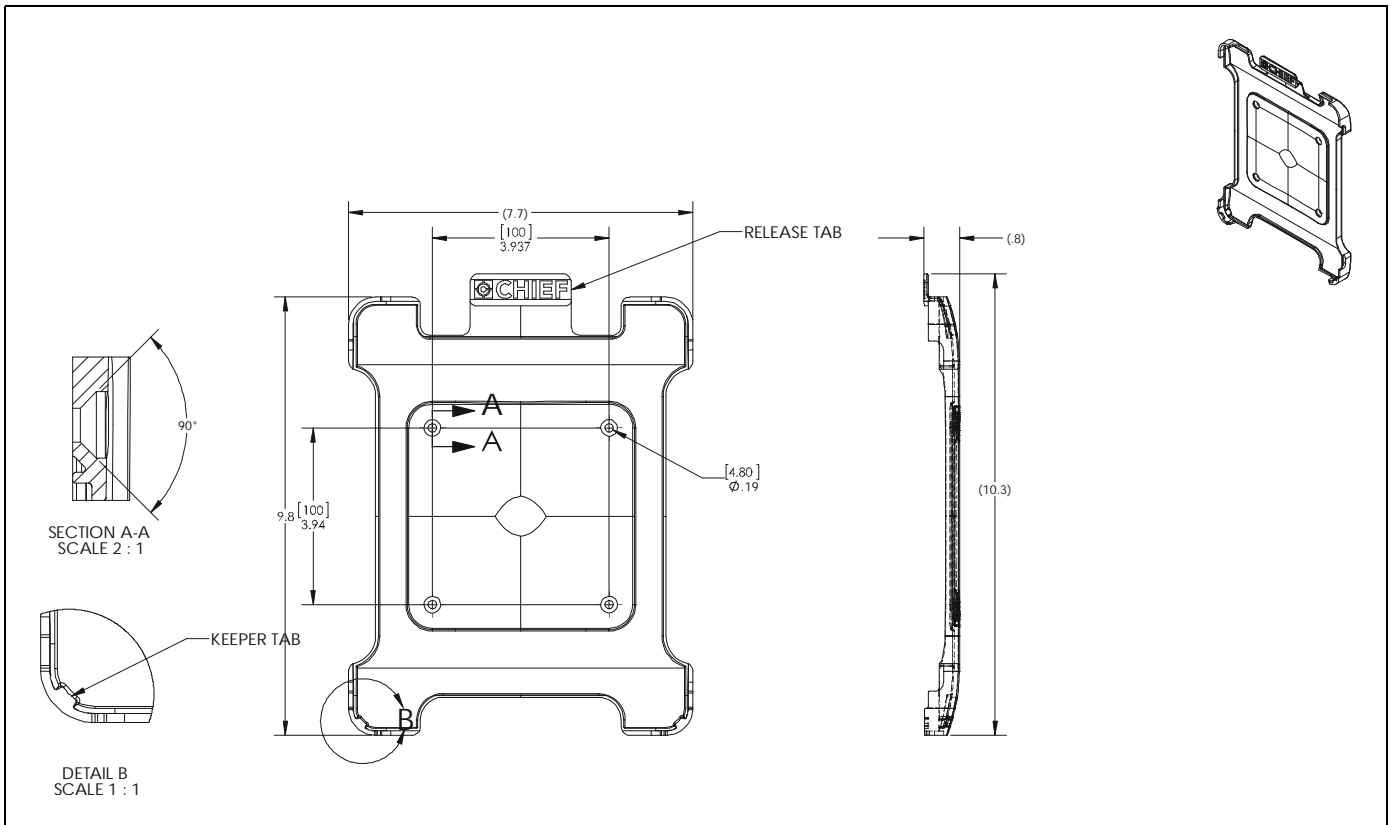


IMPORTANT WARNINGS AND CAUTIONS!

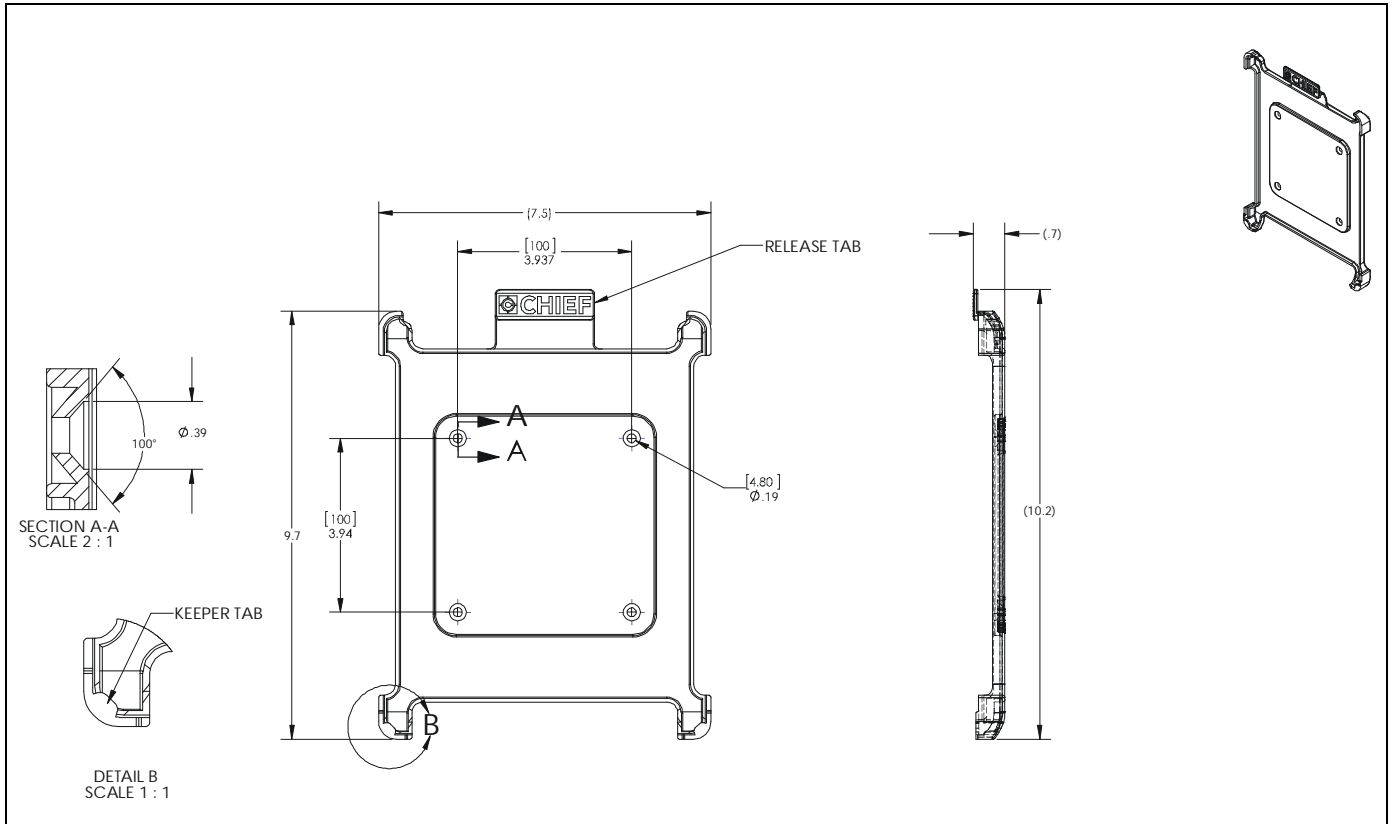


WARNING: A WARNING alerts you to the possibility of serious injury or death if you do not follow the instructions.

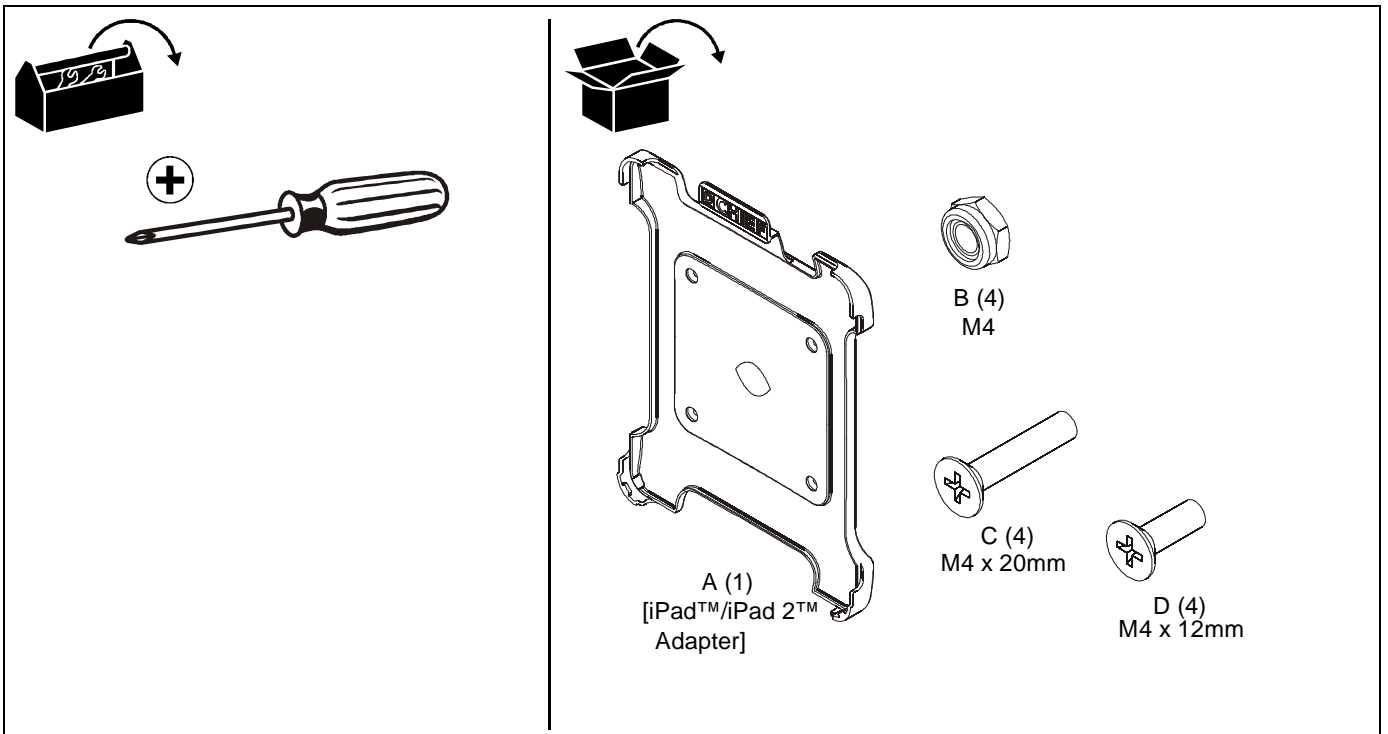
DIMENSIONS - FSBIB



DIMENSIONS - FSBI2B



TOOLS / PARTS FOR INSTALLATION



ASSEMBLY AND INSTALLATION

NOTE: The FSBIB adapter is compatible with first generation iPad™ alone, not mounted in a case. The FSBI2B adapter is compatible with the second generation iPad™ (iPad 2™) alone, not mounted in a case.

NOTE: Mounts directly to any 100mm x 100mm (maximum) faceplate or can be mounted using mounting buttons.

Attach Directly to Faceplate

1. Secure iPad™ adapter to mount by installing four M4x12mm Phillips flat head screws (D) through four holes on adapter (A), four mounting holes on mounting head and into four M4 hex nuts (B). (See Figure 1)

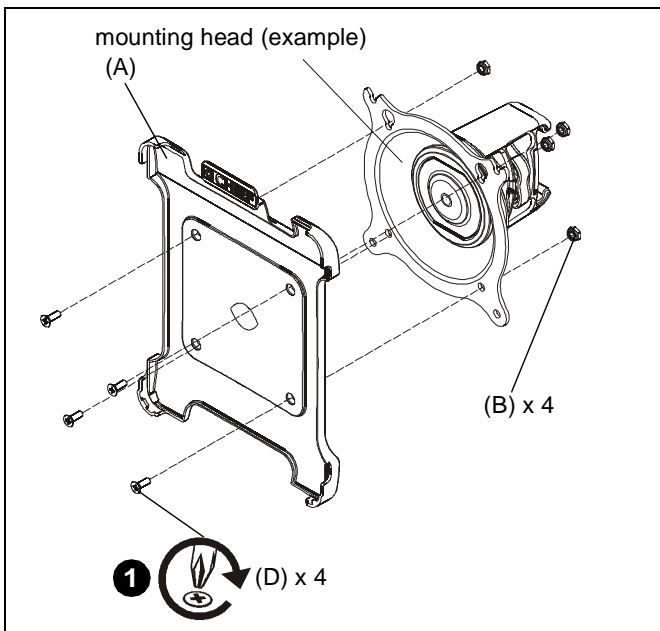


Figure 1

Attach Using Mounting Buttons

1. Secure four mounting buttons (included with mount) to iPad™ adapter (A) by installing four M4x20mm Phillips flat head screws (C) through four holes on adapter (A), four mounting buttons and into four M4 hex nuts (B). (See Figure 2)

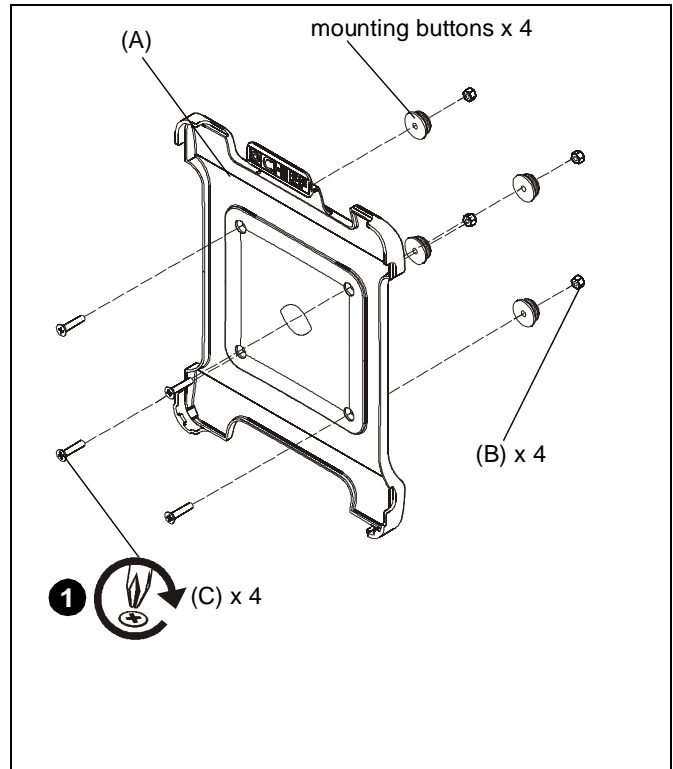


Figure 2

2. Use mounting buttons to attach iPad™ adapter to mount following the mount's installation instructions.

iPad™ Installation

NOTE: The installation procedure for installing the iPad™ to the FSBIB adapter and installing the iPad 2™ to the FSBI2B adapter is identical.

1. Fit the iPad™ into the adapter, bottom edge first. (See Figure 3)
2. Angle the iPad™ back while pressing back on the locking tab of the mount. (See Figure 3)
3. Fit the top edge of the iPad™ under the tab. (See Figure 3)

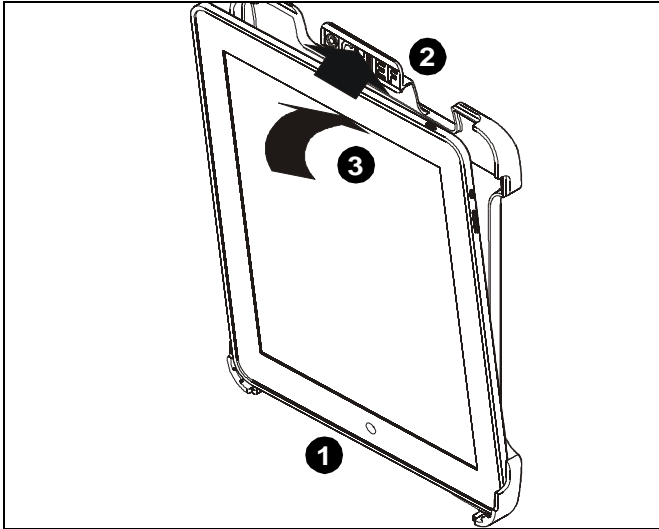


Figure 3

4. To release the iPad™ from the mount, firmly hold the iPad™ while pressing back on the tab to release and remove the iPad™. (See Figure 4)

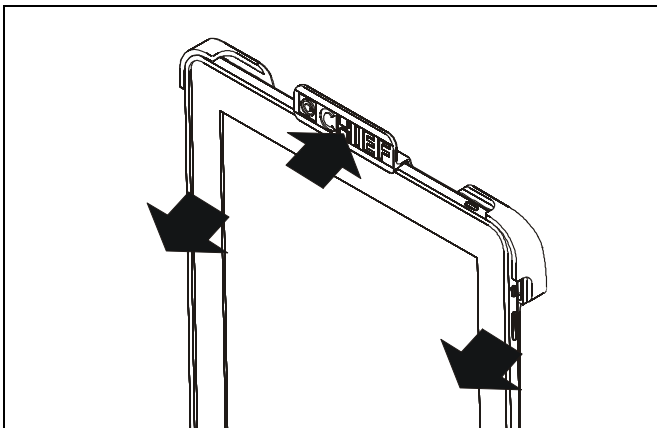


Figure 4



Our Mounts. **Your Vision.**

Chief Manufacturing, a products division
of Milestone AV Technologies

8832-002063 Rev02
©2011 Milestone AV Technologies, a
Duchossois Group Company
www.chiefmfg.com
08/11

USA/International	A 8401 Eagle Creek Parkway, Savage, MN 55378 P 800.582.6480 / 952.894.6280 F 877.894.6918 / 952.894.6918
Europe	A Fellenoord 130 5611 ZB EINDHOVEN, The Netherlands P +31 (0)40 2668620 F +31 (0)40 2668615
Asia Pacific	A Office No. 1 on 12/F, Shatin Galleria 18-24 Shan Mei Street Fotan, Shatin, Hong Kong P 852 2145 4099 F 852 2145 4477

