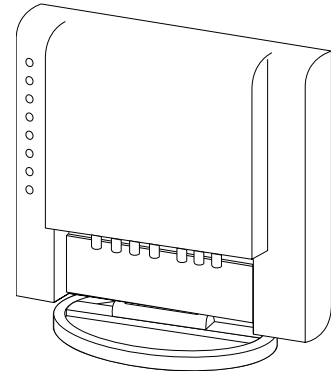




INSTALLATION MANUAL

Model FSI-002 Interface Bracket for SHARP LC-12A2U & LC-15A2U



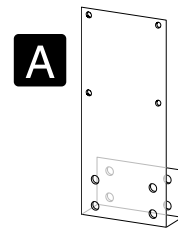
Read these instructions carefully and follow all steps in sequence.

COMPONENTS

A Interface Bracket



Do not make substitutions for components, fasteners or tools unless the Installation Manual specifically instructs you to do so.



FASTENERS

a 8-32 x 3/16" button socket screws



TOOLS

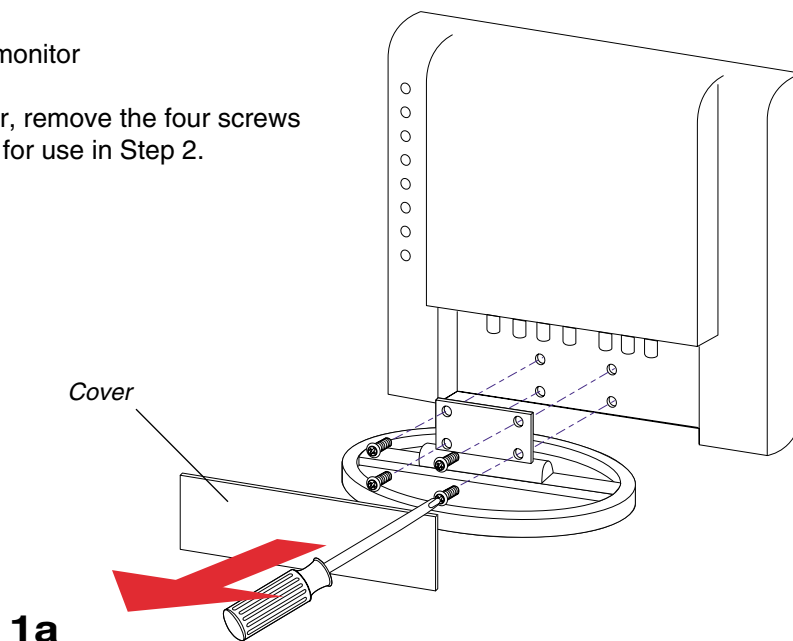
- 3/32" hex wrench
- Phillips screwdriver- customer supplied

REMOVE BASE

1a. Remove cover on back of monitor

1b. Using a Phillips screwdriver, remove the four screws from the Base and retain them for use in Step 2.

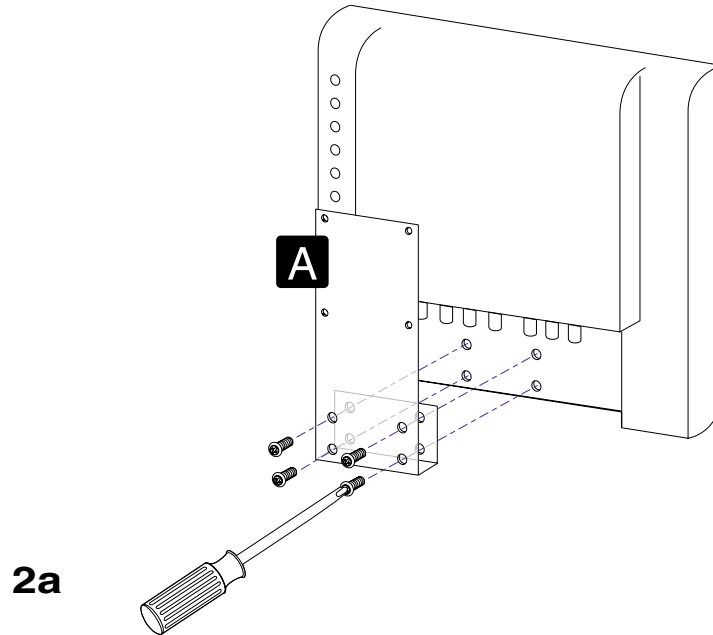
STEP 1



ATTACH INTERFACE

STEP
2

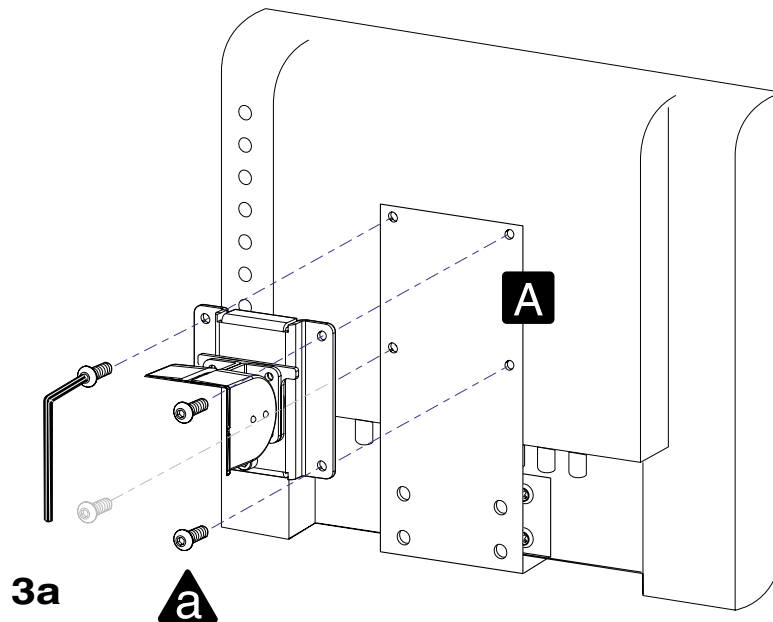
2a. Using a Phillips screwdriver and the four screws retained from removing the Base in Step 1, attach the Interface to the monitor as shown.



ATTACH MOUNTING SOLUTION

STEP
3

3a. Using the 3/32" hex wrench and the four 8-32 x 3/16" button socket screws, attach the mounting solution to the Interface as shown.



Chief Manufacturing Inc.
12800 Hwy 13 S., Ste. 500
Savage, MN 55378 USA

Phone: 1-800-582-6480
Fax: 1-877-894-6918
www.chiefmfg.com