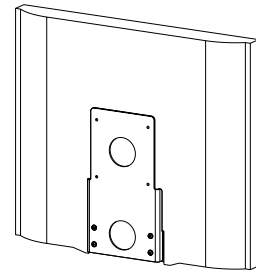




# INSTALLATION MANUAL

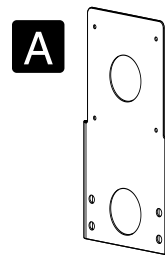
## Model FSI-004 Interface Bracket for Sharp LC-20VM2



Read these instructions carefully and follow all steps in sequence.

### COMPONENTS

A Interface Bracket



### CAUTION

Do not make substitutions for components, fasteners or tools unless the Installation Manual specifically instructs you to do so.

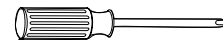
### FASTENERS

a M4 x 10mm Phillips Head Screws



### TOOLS

• Phillips Screwdriver (customer supplied)

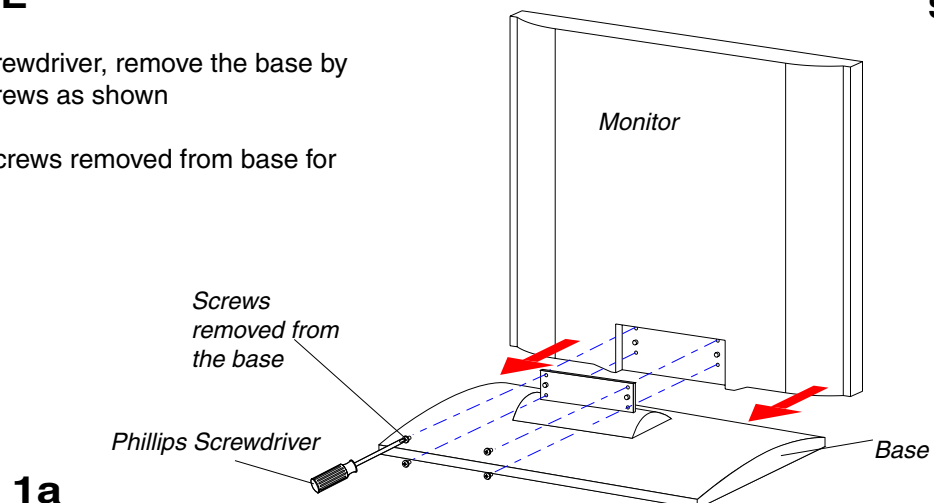


### REMOVE BASE

1a. Using a Phillips Screwdriver, remove the base by unscrewing the four screws as shown

**NOTE:** Save the four screws removed from base for use in step 2.

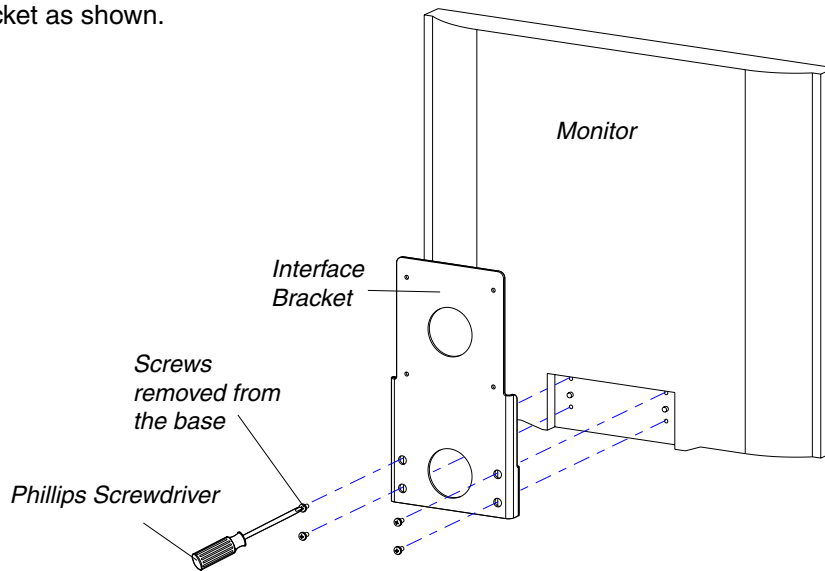
STEP  
**1**



## MOUNT INTERFACE BRACKET TO MONITOR

STEP  
**2**

**2a.** Using the screws removed from the base in step 1, attach the Interface Bracket as shown.



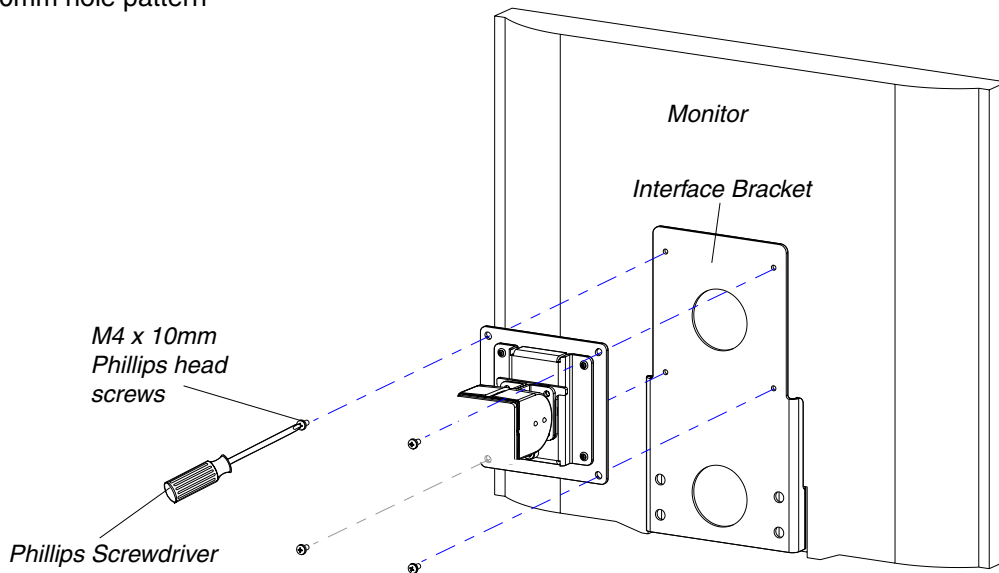
**2a**

## ATTACH THE FLAT PANEL ARM TO THE INTERFACE BRACKET

STEP  
**3**

**3a.** With the four M4 x 10mm Phillips head screws and a Phillips screwdriver, attach the Flat Panel Arm to the Interface Bracket as shown.

**NOTE:** Interface Bracket has 100mm hole pattern



**3a**



Chief Manufacturing Inc.  
12800 Hwy 13 S., Ste. 500  
Savage, MN 55378 USA

Phone: 1-800-582-6480  
Fax: 1-877-894-6918  
[www.chiefmfg.com](http://www.chiefmfg.com)