



INSTALLATION INSTRUCTIONS

FSI-111

PANASONIC TC-22LT1 INTERFACE BRACKET

Prior to assembly, unpack carton completely and verify contents.

If you are missing any of the following components, please contact Customer Service at 1-800/582-6480

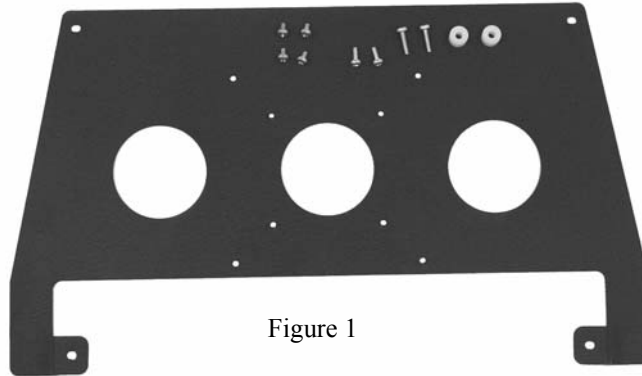


Figure 1

(1) Interface Bracket

(2) Nylon Spacers, 1/2(#10) X 3/8"

(2) M4-.7 X 16mm Phillips Screws, Pan Head

(2) M4-.7 X 10mm Phillips Screws, Pan Head

(4) M4-.7 X 6mm Phillips Screws, Pan Head

BEFORE PROCEEDING, READ INSTALLATION INSTRUCTIONS COMPLETELY

CAUTION! LCD DISPLAYS ARE EXTREMELY FRAGILE.

1. Remove screws securing stand to display and remove stand.
2. Using four slotted holes of interface bracket (see Figure 2), align interface bracket with four mounting holes in the back, outer corners of the display.
3. Place Nylon spacers between display and interface bracket at top two mounting locations.
4. Using two M4-.7 X 16mm Phillips Screws (provided) at the upper mounting holes, secure bracket and Nylon spacers to display. Do not over tighten screws.
5. Using two M4-.7 X 10mm Phillips Screws (provided) at the lower mounting holes, secure bracket to display. Do not over tighten screws.
6. Using four inside holes of interface bracket and M4-.7 X 6mm Phillips Screws (provided), secure interface bracket to any 75mm VESA pattern.

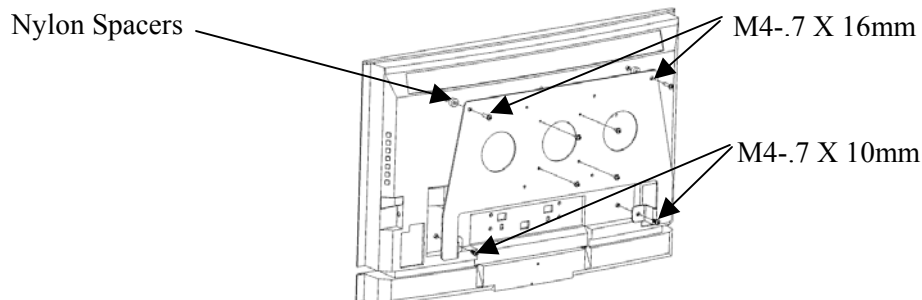


Figure 2