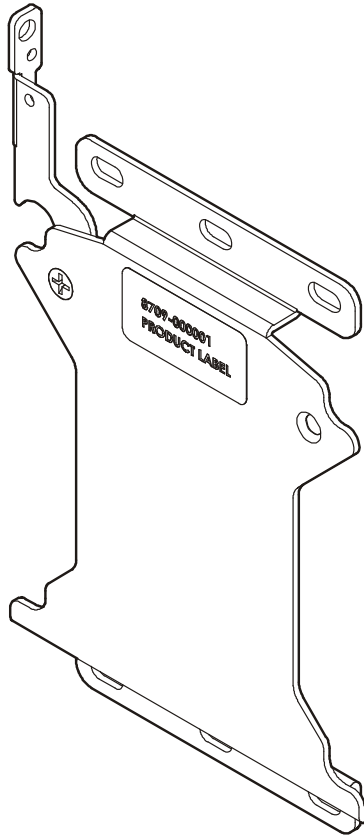

INSTALLATION INSTRUCTIONS



Small Flat Panel Static Wall Mount

DISCLAIMER

Milestone AV Technologies and its affiliated corporations and subsidiaries (collectively "Milestone"), intend to make this manual accurate and complete. However, Milestone makes no claim that the information contained herein covers all details, conditions or variations, nor does it provide for every possible contingency in connection with the installation or use of this product. The information contained in this document is subject to change without notice or obligation of any kind. Milestone makes no representation of warranty, expressed or implied, regarding the information contained herein. Milestone assumes no responsibility for accuracy, completeness or sufficiency of the information contained in this document.

Chief® is a registered trademark of Milestone AV Technologies. All rights reserved.

! IMPORTANT WARNINGS AND CAUTIONS!

! WARNING: A WARNING alerts you to the possibility of serious injury or death if you do not follow the instructions.

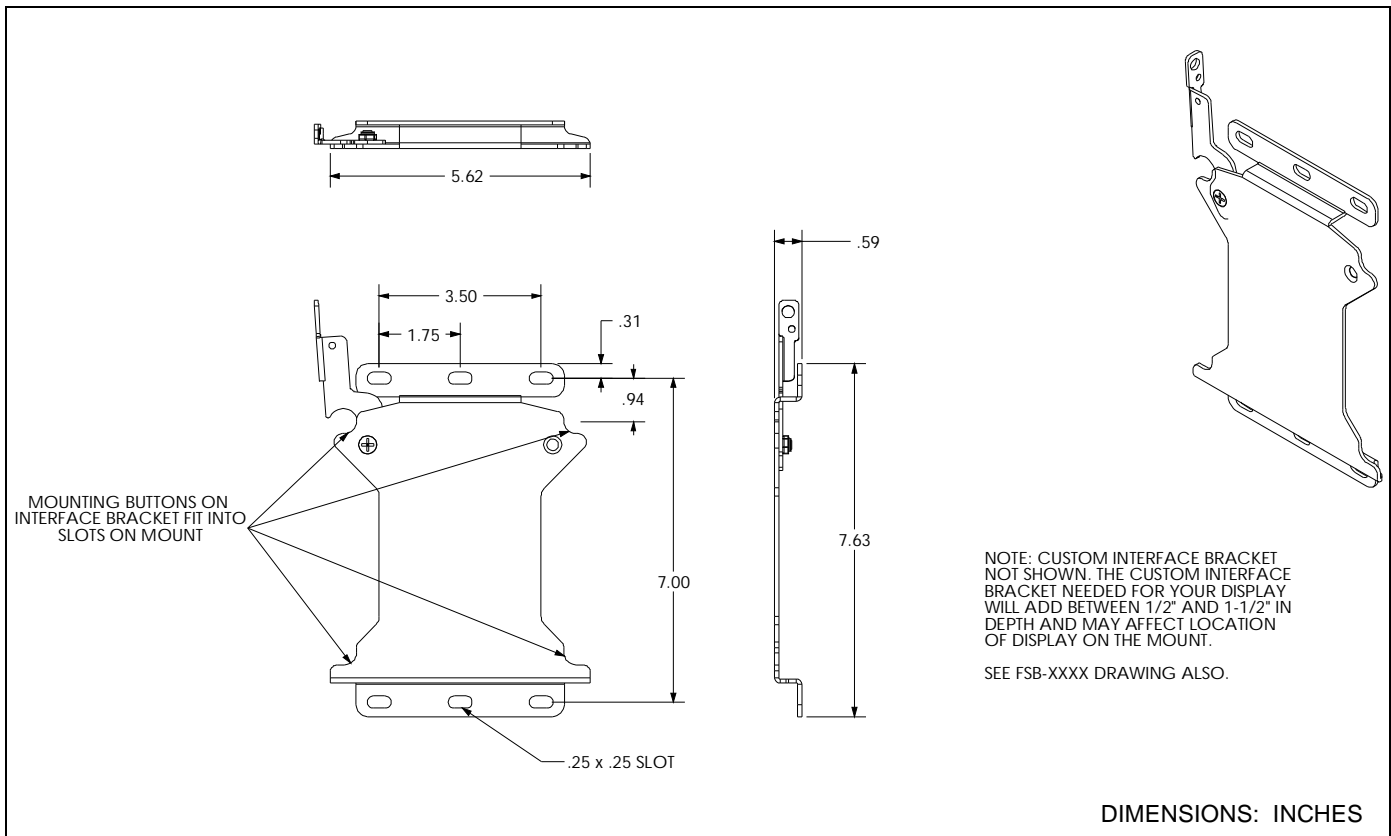
! CAUTION: A CAUTION alerts you to the possibility of damage or destruction of equipment if you do not follow the corresponding instructions.

! WARNING: Failure to read, thoroughly understand, and follow all instructions can result in serious personal injury, damage to equipment, or voiding of factory warranty! It is the installer's responsibility to make sure all components are properly assembled and installed using the instructions provided.

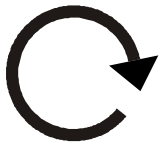

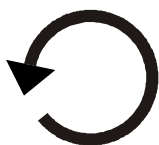



! WARNING: Failure to provide adequate structural strength for this component can result in serious personal injury or damage to equipment! It is the installer's responsibility to make sure the structure to which this component is attached can support five times the combined weight of all equipment. Reinforce the structure as required before installing the component. The wall to which the mount is being attached may have a maximum drywall thickness of 5/8" (1.6cm). Do not install drywall anchors into the seam between drywall pieces.

! WARNING: Exceeding the weight capacity can result in serious personal injury or damage to equipment! It is the installer's responsibility to make sure the combined weight of all components attached to the mount does not exceed 45 lbs (20.4 kg) installed in 2"x4" wood studs, **OR** 30 lbs (13.6 kg) installed in drywall. Use with products heavier than the maximum weight indicated may result in collapse of the mount and its accessories causing possible injury.

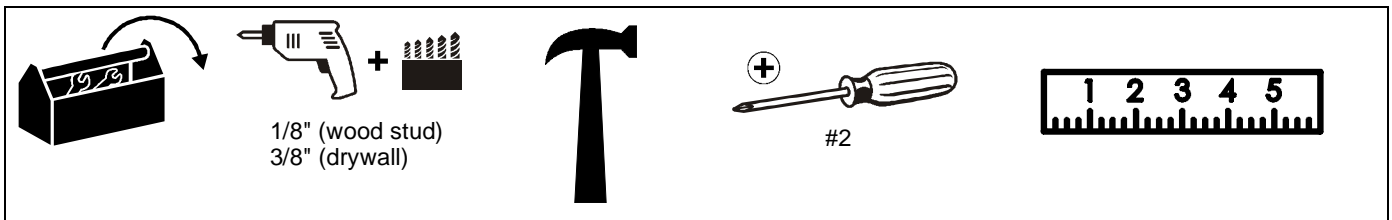
DIMENSIONS



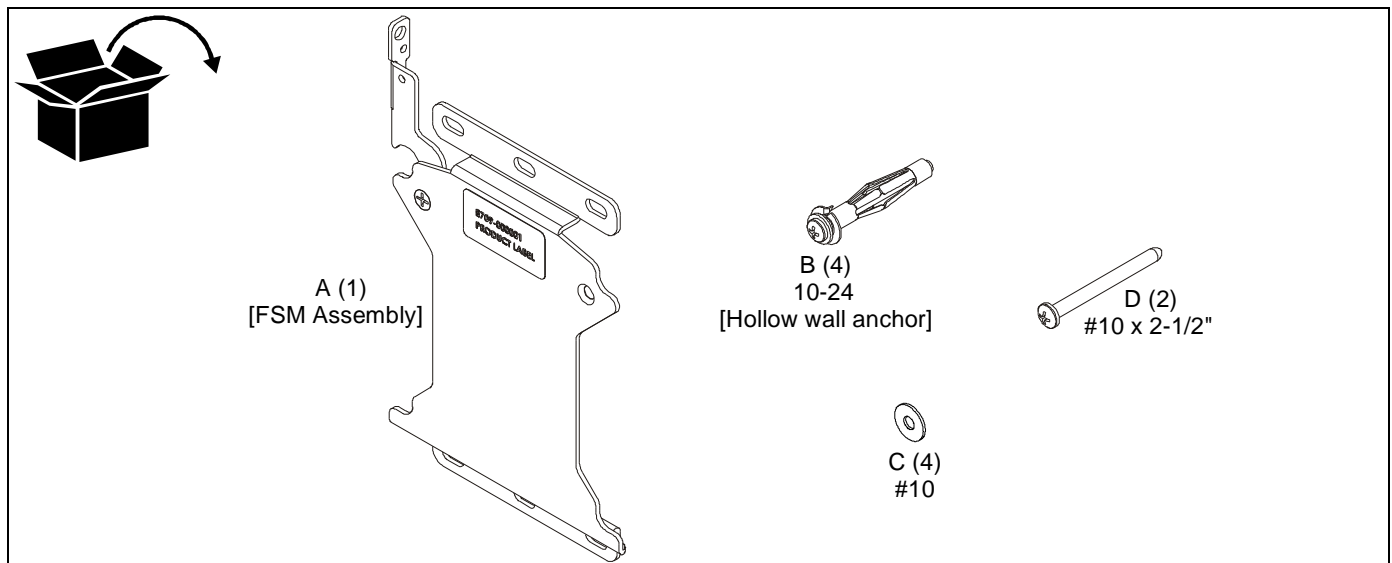
LEGEND

	<p>Tighten Fastener Apretar elemento de fijación Befestigungsteil festziehen Apertar fixador Serrare il fissaggio Bevestiging vastdraaien Serrez les fixations</p>		<p>Pencil Mark Marcar con lápiz Stiftmarkierung Marcar com lápis Segno a matita Potloodmerkten Marquage au crayon</p>
	<p>Loosen Fastener Aflojar elemento de fijación Befestigungsteil lösen Desapertar fixador Allentare il fissaggio Bevestiging losdraaien Desserrez les fixations</p>		<p>Drill Hole Perforar Bohrloch Fazer furo Praticare un foro Gat boren Percez un trou</p>
	<p>Phillips Screwdriver Destornillador Phillips Kreuzschlitzschraubendreher Chave de fendas Phillips Cacciavite a stella Kruiskopschroevendraaier Tournevis à pointe cruciforme</p>		<p>Adjust Ajustar Einstellen Ajustar Regolare Afstellen Ajuster</p>

TOOLS REQUIRED FOR INSTALLATION



PARTS



INSTALLATION

The FSM may be installed on either a single 2" x 4" wood stud, or drywall (1/2" minimum thickness).

NOTE: The latching flag may be moved, if necessary. (See Figure 1)

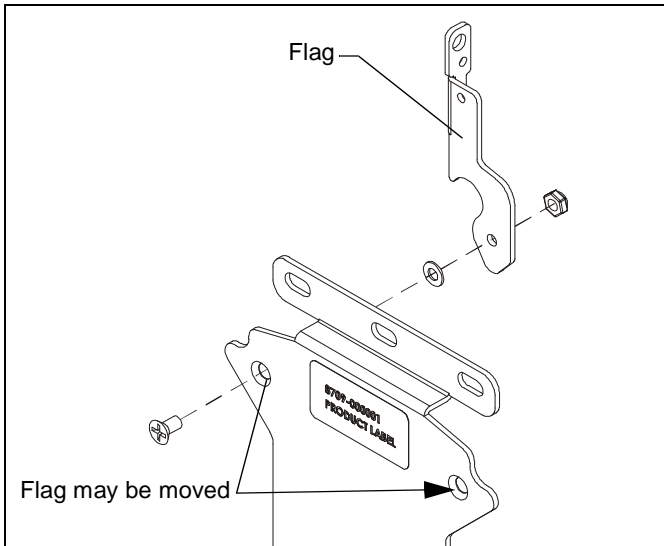


Figure 1

Install Mount to Single Wood Stud

1. Determine approximate mounting location, keeping in mind the display size.
2. Use a stud sensor to locate applicable wood stud. Mark location with a pencil.
3. Level FSM assembly (A) at desired height and, using it as a template, mark the location of upper and lower center pilot holes. Ensure marks are in the center of wood stud. (See Figure 2)

⚠ WARNING: ELECTRICAL SHOCK HAZARD! Drilling into electrical wires or cables can cause DEATH or SERIOUS PERSONAL INJURY! ALWAYS make certain area behind mounting surfaces is free of electrical wires and cables before drilling or installing mount fasteners.

4. Drill pilot holes using a 1/8" drill bit. Ensure pilot holes are straight.
5. Fasten FSM to wood stud using two #10 x 2-1/2" Phillips head screws (D) through two #10 washers (C), FSM (A), and drywall and install into pilot holes (See Figure 2).

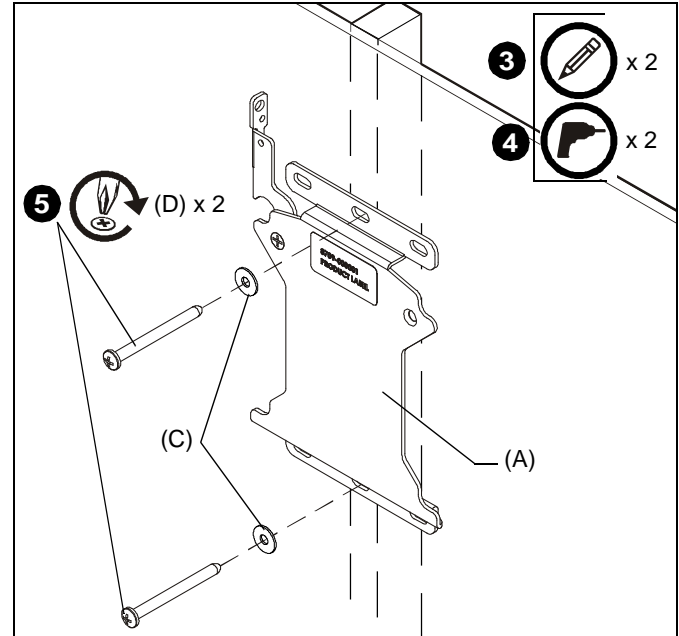


Figure 2

Install Mount to Drywall



WARNING: Drywall must be a minimum thickness of 1/2" and a maximum drywall thickness of 5/8". Do not install drywall anchors into the seam between drywall pieces.

1. Determine approximate mounting location, keeping in mind the display size.
2. Level FSM assembly (A) at desired height and, using it as a template, mark the location of the four anchor holes (one in each corner slot).



WARNING: ELECTRICAL SHOCK HAZARD! Drilling into electrical wires or cables can cause DEATH or SERIOUS PERSONAL INJURY! ALWAYS make certain area behind mounting surfaces is free of electrical wires and cables before drilling or installing mount fasteners.

3. Drill 3/8" x 1-1/2" (minimum depth) anchor holes. Ensure holes are straight and completely through drywall. (See Figure 3)

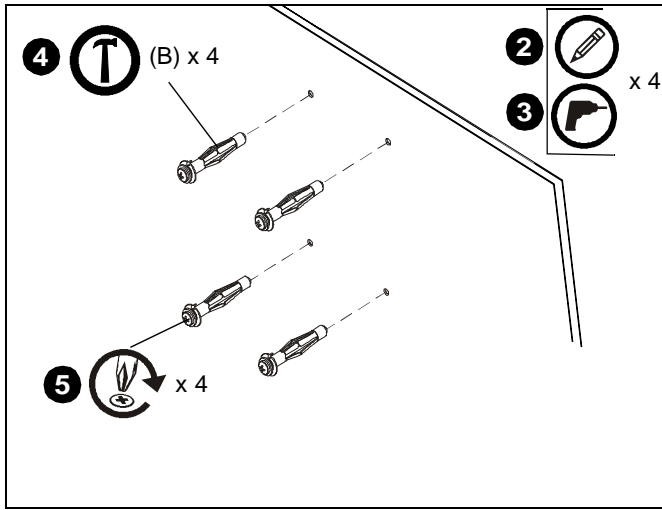


Figure 3

4. Gently tap anchor (B) into anchor hole. Anchor barbs should be fully engaged in drywall (See Figure 4).

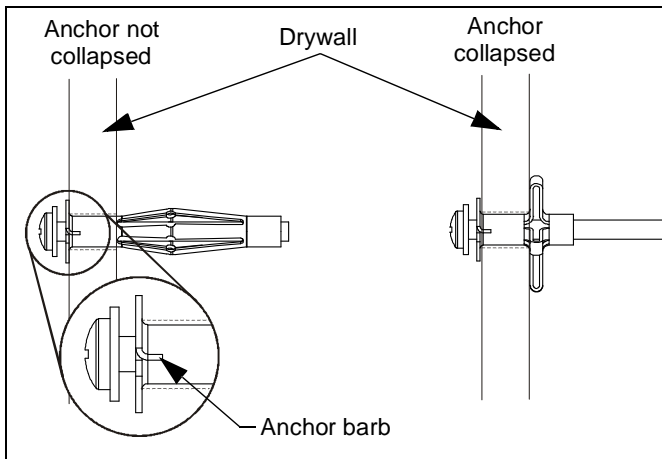


Figure 4

5. Using Phillips screwdriver, tighten anchor screw until anchor has fully collapsed against back side of drywall. (See Figure 3) and (See Figure 4)

NOTE: Anchor screw will feel tight until anchor begins to collapse. Screw will then turn easier for many turns. Screw will feel tight when anchor has fully collapsed.

6. Repeat Steps 4 and 5 for remaining anchors.
7. Remove and retain anchor screws from anchors (B).

NOTE: Anchors (B) may come with small washers which may be left on the screw or discarded. These small washers do NOT replace washers (C).

8. Insert anchor screws through washers (C), FSM (A) and install into collapsed anchors (B). Tighten until secure. (See Figure 5)

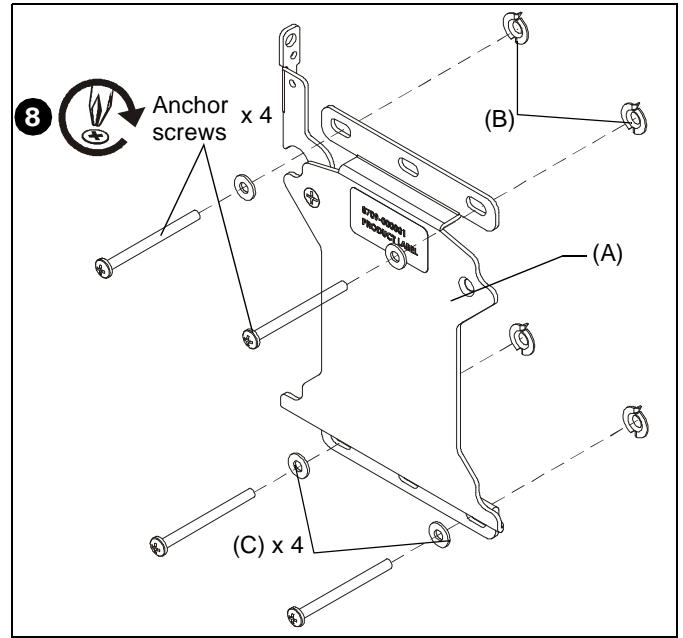


Figure 5

Install Display to Mount

NOTE: Proper interface must be attached to display. Follow instructions included with interface assembly.

1. Open latching flag by rotating flag clockwise on FSM (A). (See Figure 6)

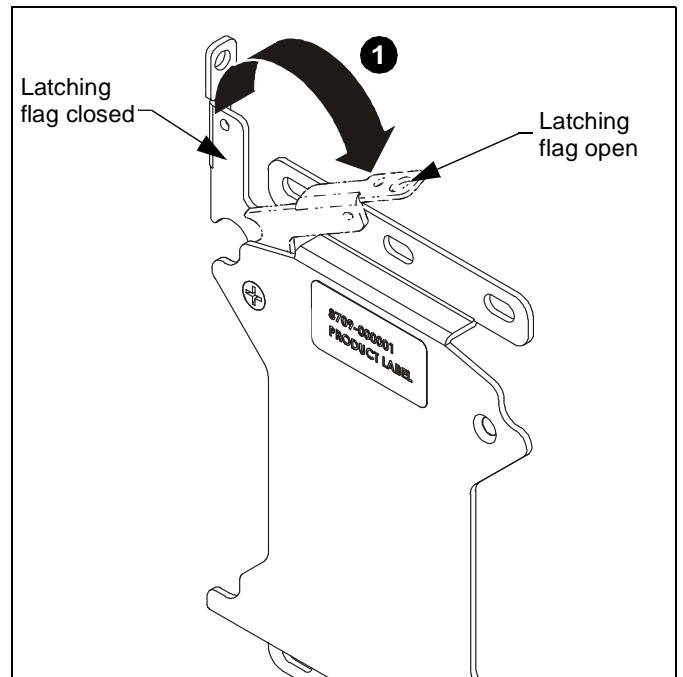


Figure 6

2. Lift and maneuver display such that all mounting buttons fit into openings on FSM (A). (See Figure 7)
3. Lower display firmly into place. Ensure each mounting button is fully seated. (See Figure 7)
4. Close latching flag by rotating flag counterclockwise on FSM (A). (See Figure 7)

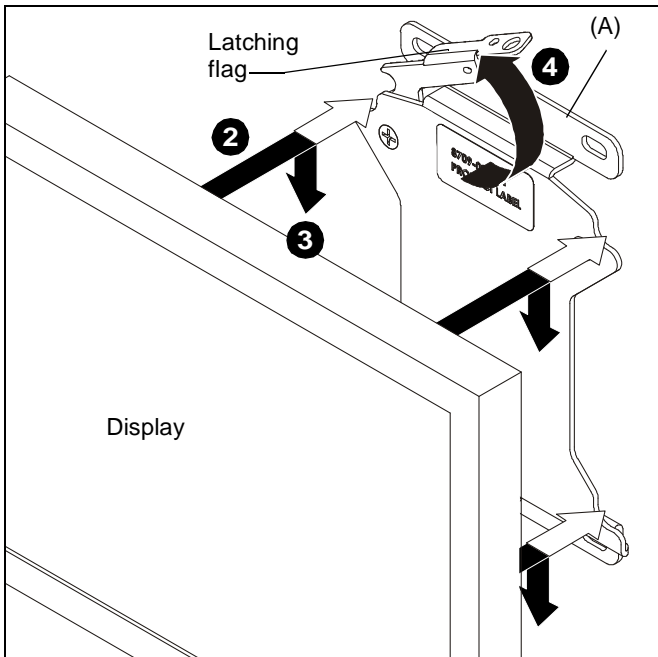


Figure 7



Our Mounts. **Your Vision.**

Chief Manufacturing, a products division
of Milestone AV Technologies

8804-000046 RevB
©2011 Milestone AV Technologies, a
Duchossois Group Company
www.chiefmfg.com
05/11

USA/International

A 8401 Eagle Creek Parkway, Savage, MN 55378
P 800.582.6480 / 952.894.6280
F 877.894.6918 / 952.894.6918

Europe

A Fellenoord 130 5611 ZB EINDHOVEN, The Netherlands
P +31 (0)40 2668620
F +31 (0)40 2668615

Asia Pacific

A Office No. 1 on 12/F, Shatin Galleria
18-24 Shan Mei Street
Fotan, Shatin, Hong Kong
P 852 2145 4099
F 852 2145 4477

