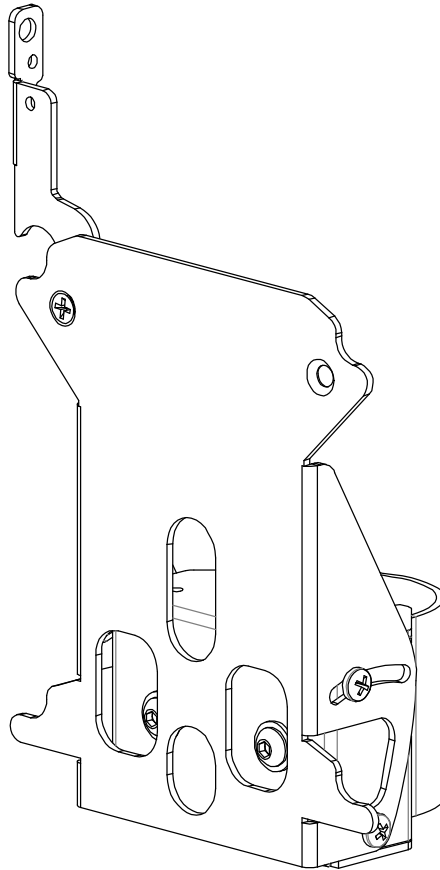

INSTALLATION INSTRUCTIONS



Single Display Pole Mount

DISCLAIMER

Milestone AV Technologies, and its affiliated corporations and subsidiaries (collectively, "Milestone"), intend to make this manual accurate and complete. However, Milestone makes no claim that the information contained herein covers all details, conditions or variations, nor does it provide for every possible contingency in connection with the installation or use of this product. The information contained in this document is subject to change without notice or obligation of any kind. Milestone makes no representation of warranty, expressed or implied, regarding the information contained herein. Milestone assumes no responsibility for accuracy, completeness or sufficiency of the information contained in this document.

Chief® is a registered trademark of Milestone AV Technologies. All rights reserved.



WARNING: Use this mounting system only for its intended use as described in these instructions. Do not use attachments not recommended by the manufacturer.



WARNING: Never operate this mounting system if it is damaged. Return the mounting system to a service center for examination and repair.



WARNING: Do not use this product outdoors.

IMPORTANT ! : The FSP is designed to attach to a 1-1/2" to 2" O.D. pipe, including 1-1/2" NPT (not included), in either a vertical or horizontal position.

--SAVE THESE INSTRUCTIONS--



IMPORTANT SAFETY INSTRUCTIONS!



WARNING: A WARNING alerts you to the possibility of serious injury or death if you do not follow the instructions.



CAUTION: A CAUTION alerts you to the possibility of damage or destruction of equipment if you do not follow the corresponding instructions.



WARNING: Failure to read, thoroughly understand, and follow all instructions can result in serious personal injury, damage to equipment, or voiding of factory warranty! It is the installer's responsibility to make sure all components are properly assembled and installed using the instructions provided.



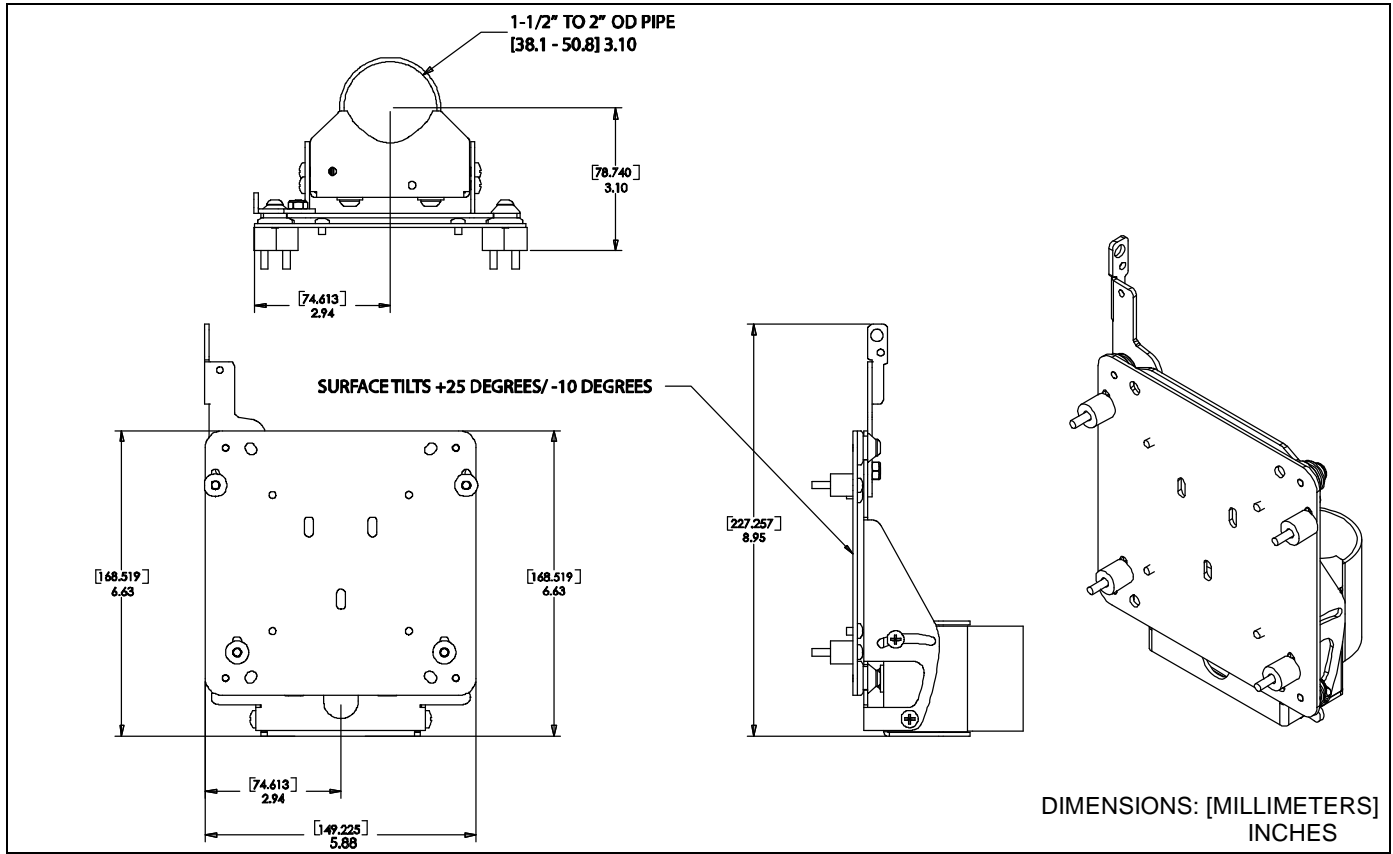
WARNING: Failure to provide adequate structural strength for this component can result in serious personal injury or damage to equipment! It is the installer's responsibility to make sure the structure to which this component is attached can support five times the combined weight of all equipment. Reinforce the structure as required before installing the component.



WARNING: Exceeding the weight capacity can result in serious personal injury or damage to equipment! It is the installer's responsibility to make sure the combined weight of all components attached to the FSP does not exceed 45 lbs (20.4 kg).

- The weight capacity of the FSP may be LIMITED to the lowest weight capacity of any other component located between the FSP and the supporting structure!

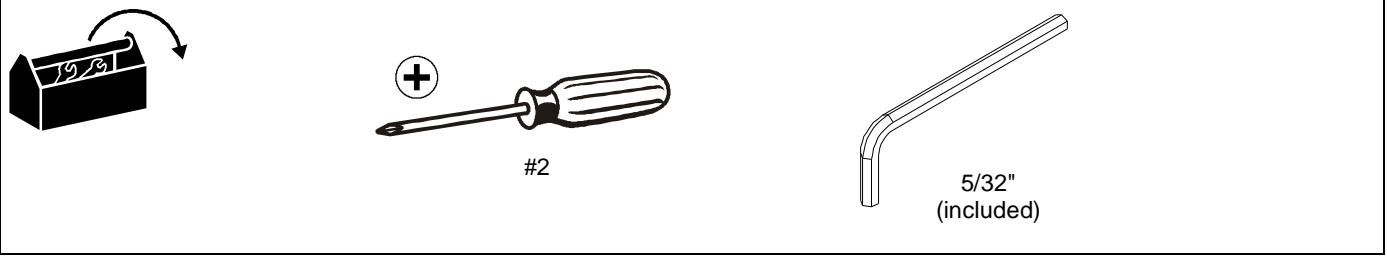
DIMENSIONS



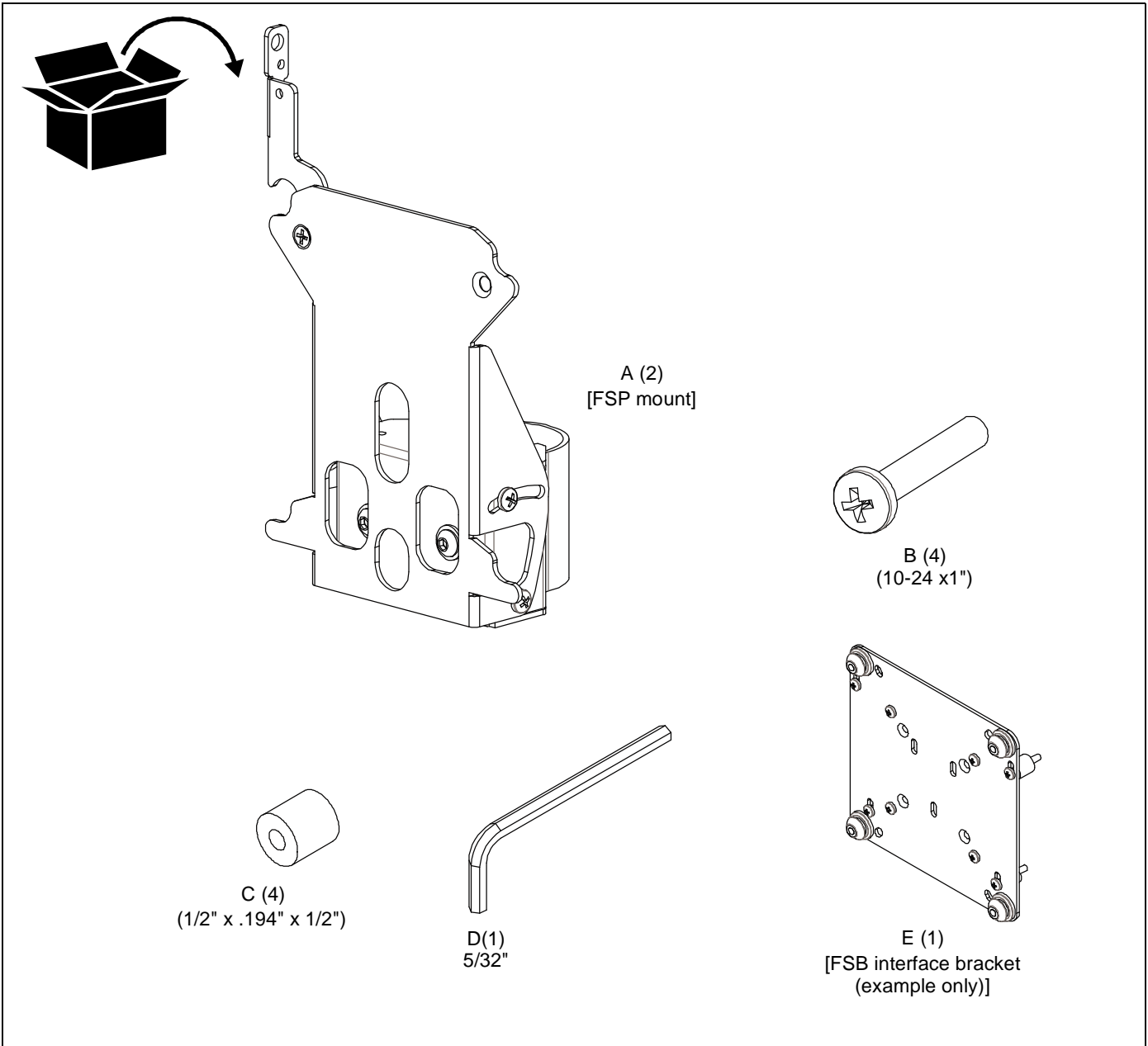
LEGEND

	<p>Tighten Fastener Apretar elemento de fijación Befestigungsteil festziehen Apertar fixador Serrare il fissaggio Bevestiging vastdraaien Serrez les fixations</p>		<p>Phillips Screwdriver Destornillador Phillips Kreuzschlitzschraubendreher Chave de fendas Phillips Cacciavite a stella Kruiskopschroevendraaier Tournevis à pointe cruciforme</p>
	<p>By Hand A mano Von Hand Com a mão A mano Met de hand À la main</p>		<p>Adjust Ajustar Einstellen Ajustar Regolare Afstellen Ajuster</p>
	<p>Hex-Head Wrench Llave de cabeza hexagonal Sechskantschlüssel Chave de cabeça sextavada Chiave esagonale Zeskantsleutel Clé à tête hexagonale</p>		<p>Open-Ended Wrench Llave de boca Gabelschlüssel Chave de bocas Chiave a punte aperte Steeksleutel Clé à fourche</p>

TOOLS REQUIRED FOR INSTALLATION



PARTS



INSTALLATION



WARNING: Failure to provide adequate structural strength for this component can result in serious personal injury or damage to equipment! It is the installer's responsibility to make sure the structure to which this component is attached can support five times the combined weight of all equipment. Reinforce the structure as required before installing the component.

IMPORTANT ! : These instructions assume that a 1-1/2" to 2" O.D. pipe (not included) has been properly installed in either a vertical or horizontal position.

(Optional) Latching Flag Placement

The latching flag may be moved as necessary.

1. Remove Phillips undercut machine screw, spacer, Nylock nut and latching flag from FSP (A). (See Figure 1)

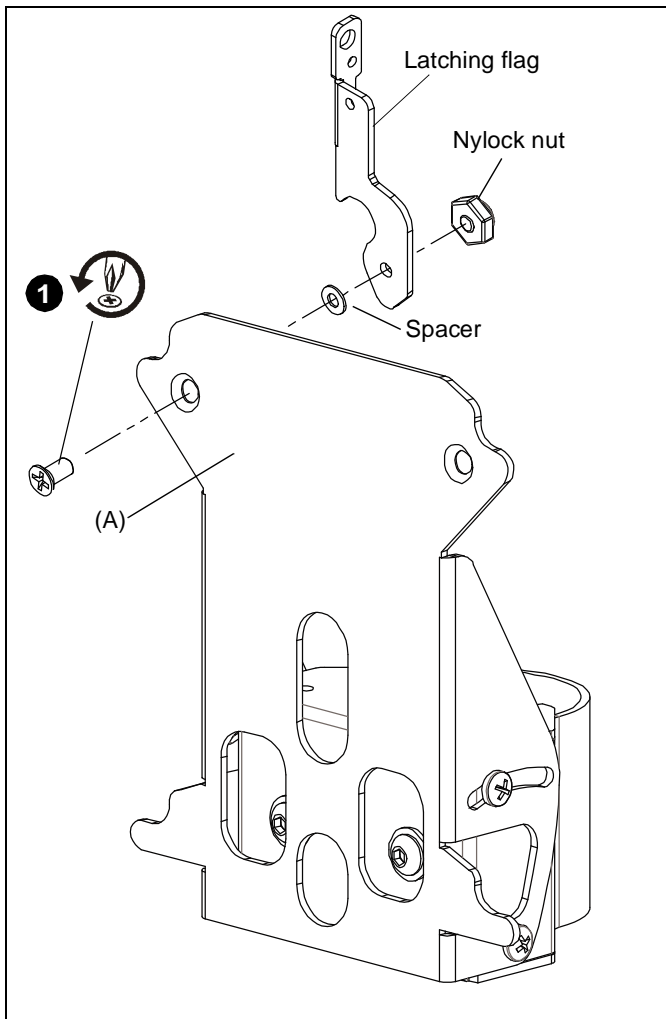


Figure 1

2. Re-position latching flag and tighten using Phillips undercut machine screw, washer and Nylock nut.

FSP Mount Assembly and Installation

The FSP includes tilt bracket that can be repositioned to attach to a vertical or horizontal pipe. The FSP assembly ships configured for vertical pole mounting. To change the FSP for horizontal pole mounting, use the following instructions. To use the FSP in the vertical configuration, proceed to **Vertical Installation** section.

Horizontal Installation

1. Remove the four Phillips pan head tapping screws from FSP assembly (A). (See Figure 2)
2. Detach tilt bracket from FSP (A). (See Figure 2)
3. Reposition tilt bracket for horizontal pipe/pole mounting. (See Figure 2)

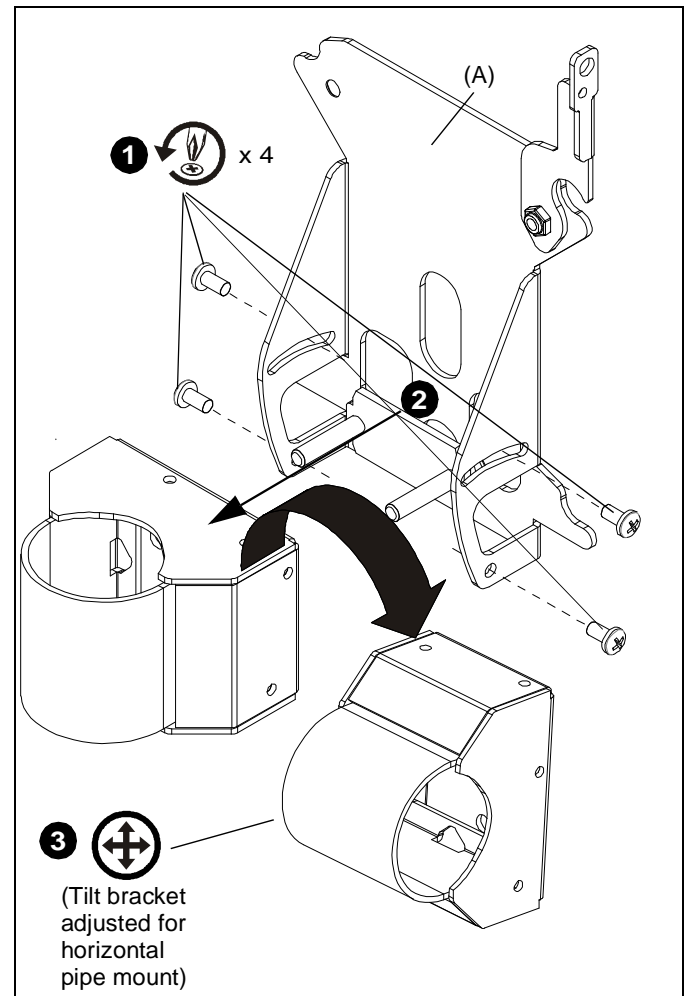


Figure 2

4. Insert four 1/2" x .194 x 1/2" nylon spacers (C). (See Figure 3)
5. Secure tilt bracket to FSP (A) using four 10-24 x 1" Phillips head screws (B). (See Figure 3)

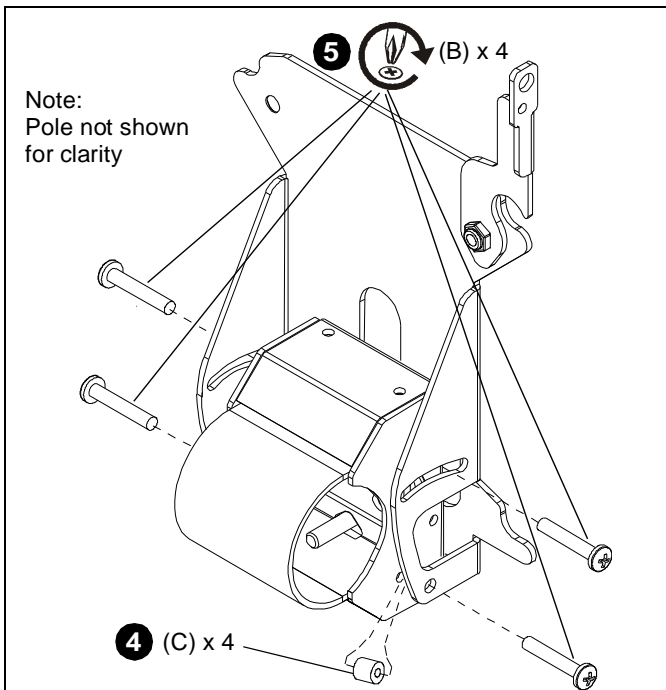


Figure 3

6. Slide FSP (A) onto a 1-1/2" to 2" O.D. pipe for horizontal mounting.
7. Secure FSP (A) to pipe by tightening two button head cap screws already in place in FSP. (See Figure 4)

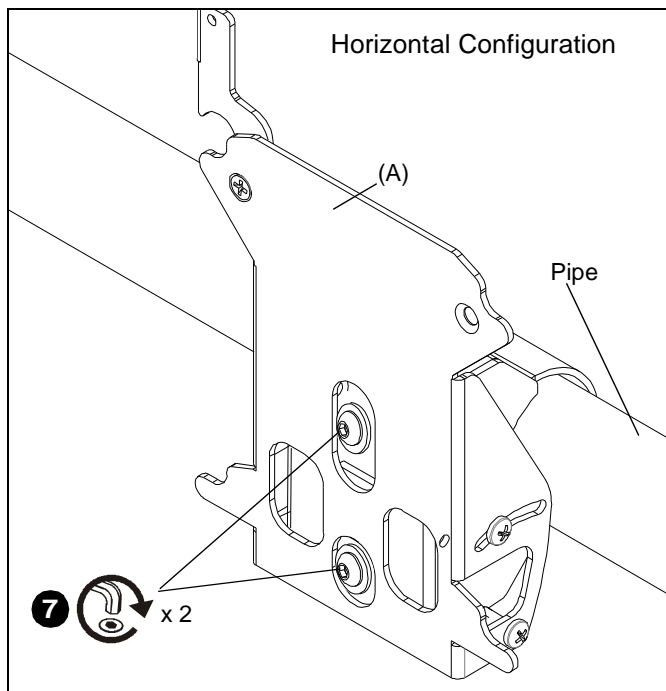


Figure 4

Vertical Installation

The FSP assembly ships configured for vertical pole mounting.

1. Install the FSP (A) on 1-1/2" to 2" O.D. pipe (not included). (See Figure 5)

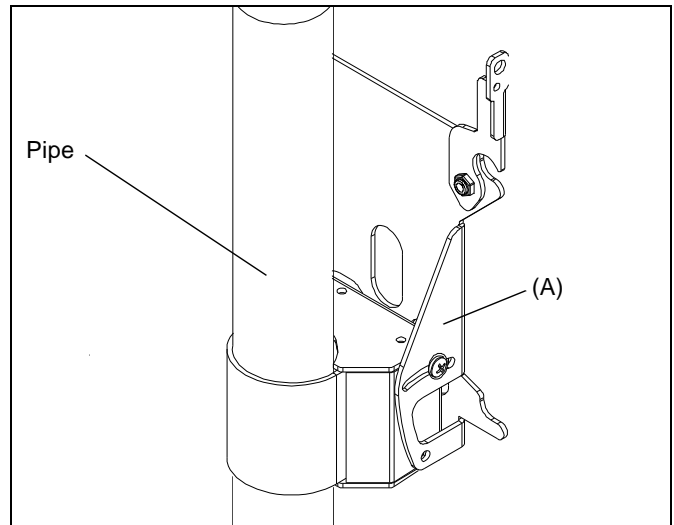


Figure 5

2. Secure FSP (A) to pipe by tightening two button head cap screws already in place in FSP (See Figure 6)

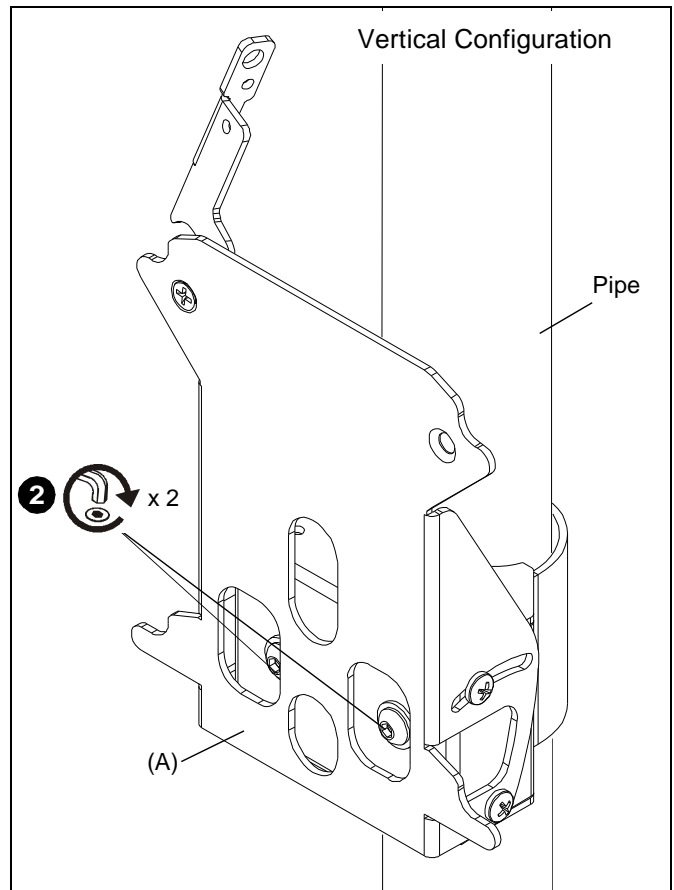


Figure 6

Installing Display with Interface Bracket

⚠ WARNING: Exceeding the weight capacity can result in serious personal injury or damage to equipment! It is the installer's responsibility to make sure the combined weight of all components attached to the FSP does not exceed 45 lbs (20.4 kg).

1. Install FSB interface bracket (E) to display using the instructions and hardware provided with the interface bracket kit.
2. Make sure latching flag on FSP mount (A) is in the unlocked position. (See Figure 7)

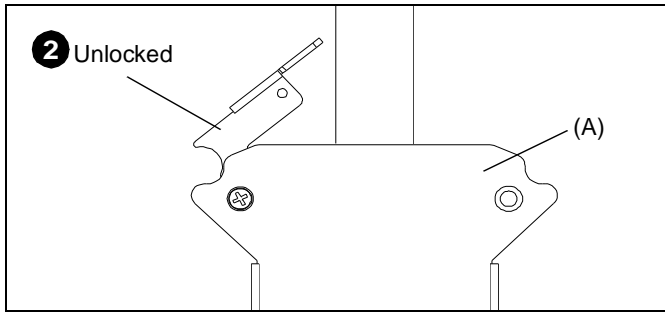


Figure 7

3. Lift and maneuver display with attached FSB bracket (E) so that mounting buttons on interface bracket fit into button openings on FSP (A). (See Figure 8)

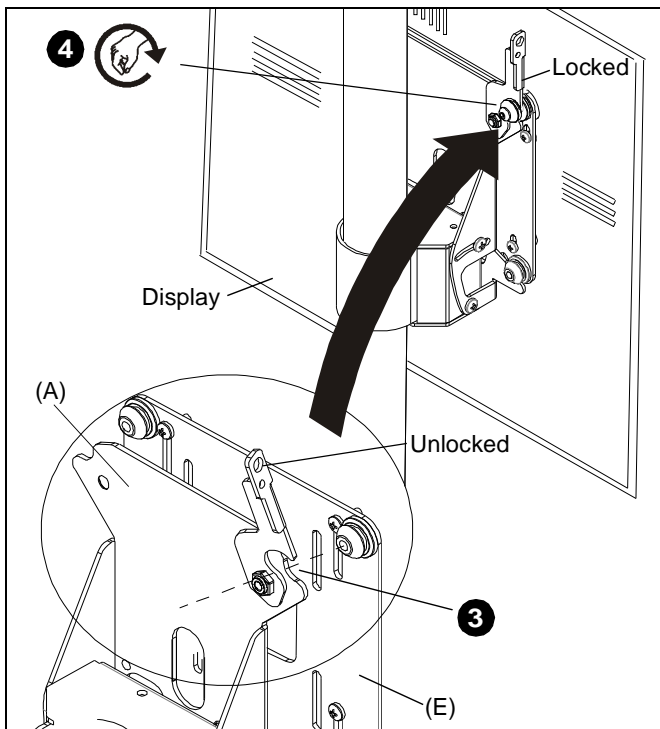


Figure 8

4. Engage FSP latching flag, locking display in place (See Figure 8).

Tilt Adjustment

⚠ WARNING: IMPROPER HANDLING CAN LEAD TO DISPLAY FALLING CAUSING SERIOUS PERSONAL INJURY OR DAMAGE TO EQUIPMENT! Inadequate support of display while adjusting tilt may cause display to fall!

5. Adjust tilt by loosening (slightly) tilt adjustment screws on each side of FSP (A), adjust to desired angle, and tighten tilt adjustment screws. (See Figure 9)

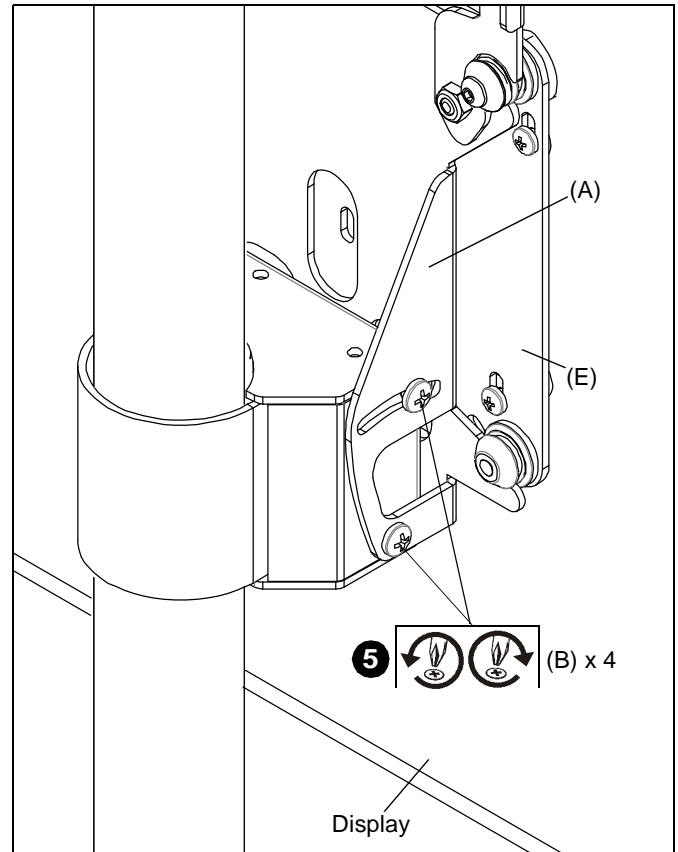


Figure 9



Our Mounts. **Your Vision.**

Chief, a products division of
Milestone AV Technologies

8800-002568 Rev00
©2014 Milestone AV Technologies
www.chiefmfg.com
04/14

USA/International	A 6436 City West Parkway, Eden Prairie, MN 55344 P 800.582.6480 / 952.225.6000 F 877.894.6918 / 952.894.6918
Europe	A Franklinstraat 14, 6003 DK Weert, Netherlands P +31 (0) 495 580 852 F +31 (0) 495 580 845
Asia Pacific	A Office No. 1 on 12/F, Shatin Galleria 18-24 Shan Mei Street Fotan, Shatin, Hong Kong P 852 2145 4099 F 852 2145 4477

