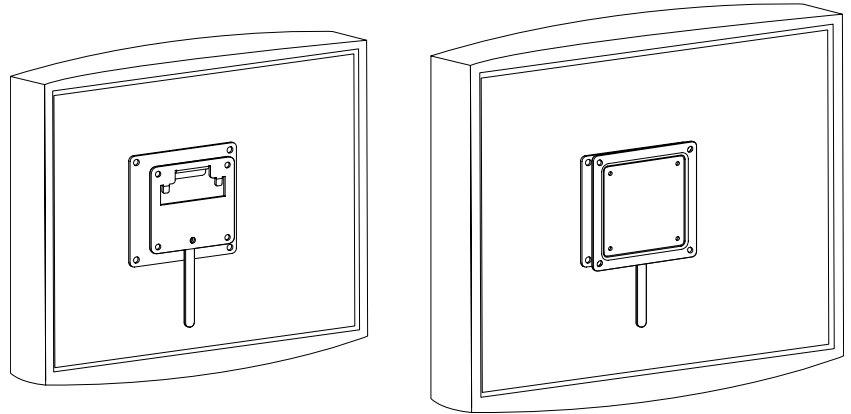


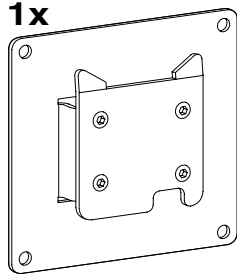


INSTALLATION MANUAL

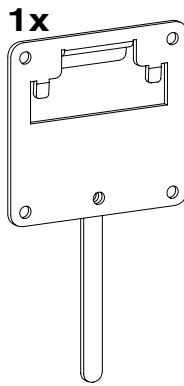
Model FSW-100 Flat Wall Mount (Quick Release)



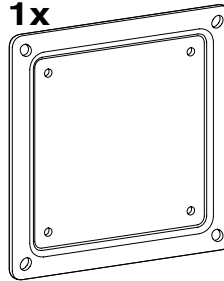
1x



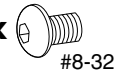
1x



1x



4x



#8-32



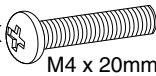
3/32" (2.38mm)



Wall Bracket and Monitor Bracket will not attach to each other unless mounted to the wall and monitor. You cannot force the two Brackets together using only your hands.

Spacer Kit - For use with recessed monitors only.

4x



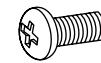
M4 x 20mm

4x



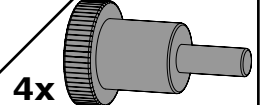
Spacer

M4 x 10 mm

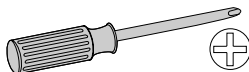
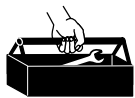


4x

M4 x 10 mm

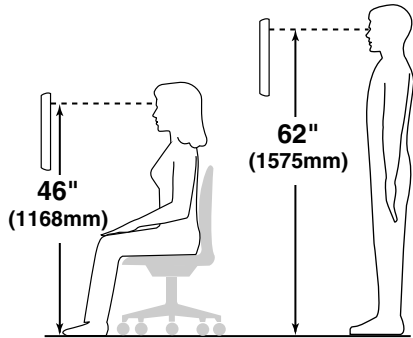


4x

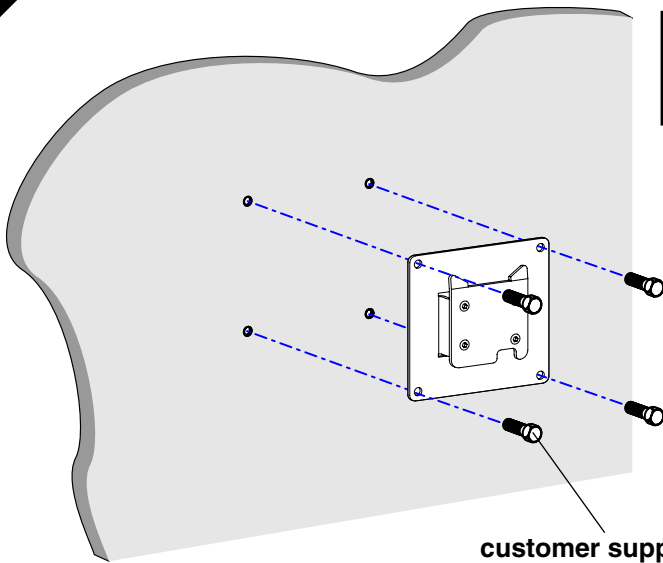


1

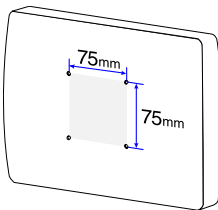
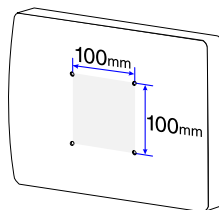
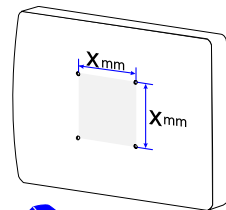
ERGONOMIC EYE HEIGHT RECOMMENDATIONS



	Eye Height		Center of Operating Range
	Standing	Sitting	
Average Female	59" (1509 mm)	44" (1118 mm)	54" (1377 mm)
Average Person	62" (1567 mm)	46" (1171 mm)	54" (1377 mm)
Average Male	64" (1636 mm)	48" (1232 mm)	54" (1377 mm)

2

The Wall Bracket must be securely attached to the vertical surface. Because construction varies widely and your ultimate mounting method is out of Chief Manufacturing's control, it is imperative that you consult with appropriate local engineering, architectural, or construction personnel to ensure that the Wall Bracket is mounted properly to handle applied loads.

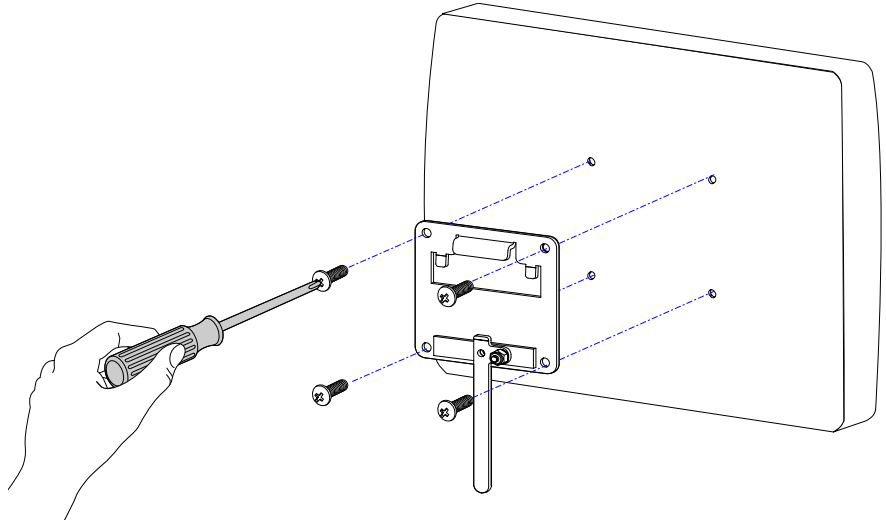
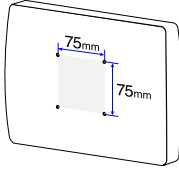
3**75mm****3****100mm****3****Xmm**

Contact Chief Manufacturing

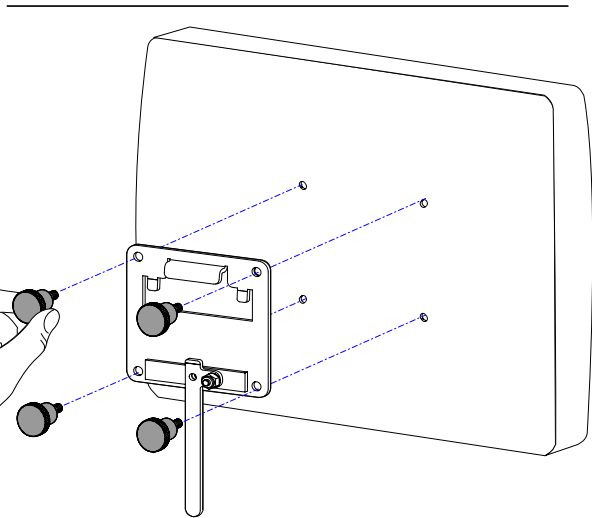
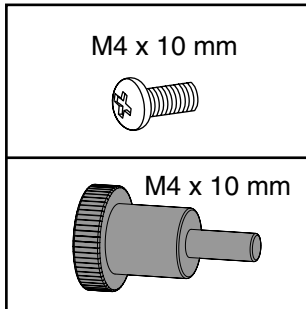
3

1

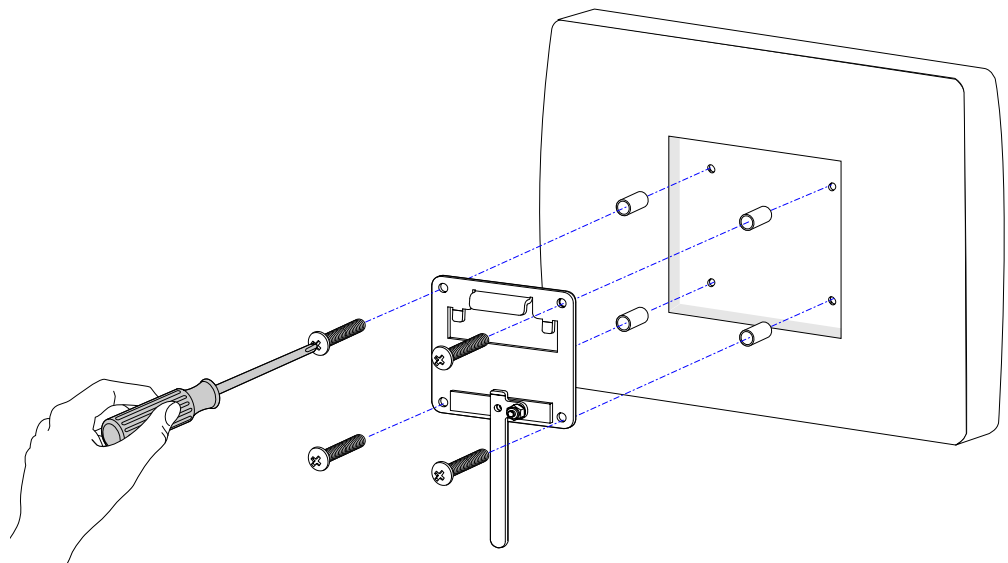
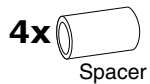
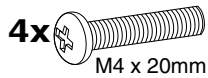
75mm



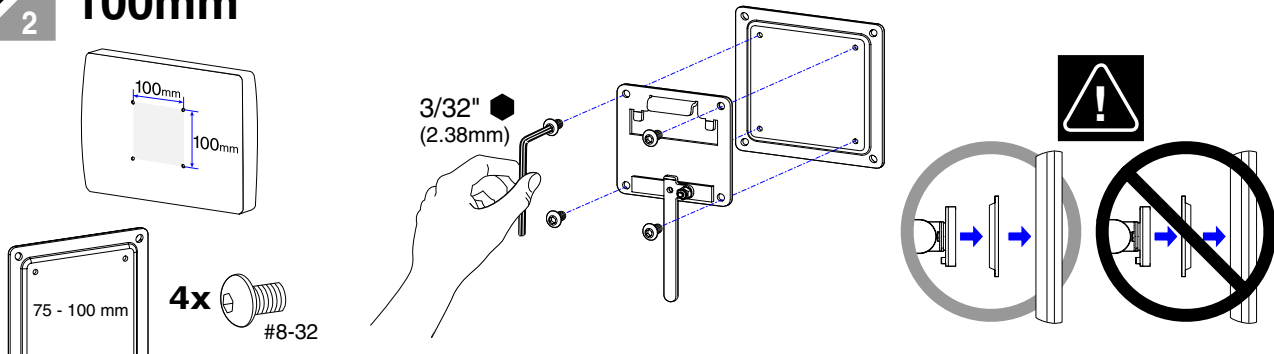
If your monitor uses a screw size other than M4 x 10mm, DO NOT use the M4 x 10mm screws or knob provided as they could result in damage to the monitor.



Spacer Kit - For use with recessed monitors only.



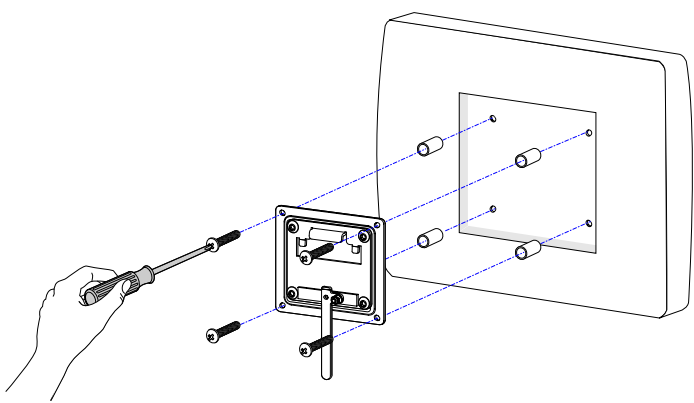
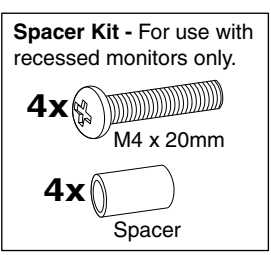
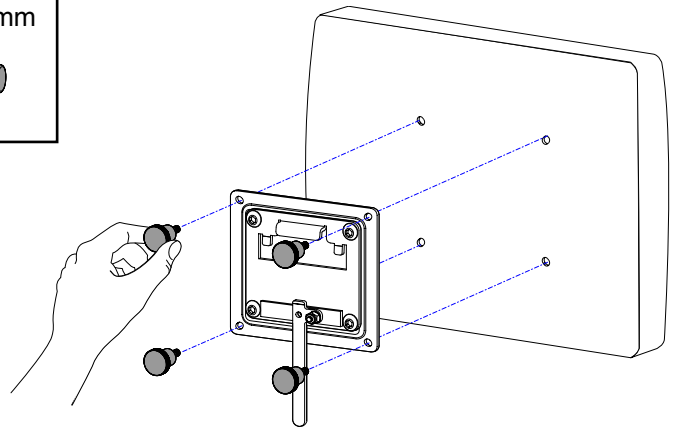
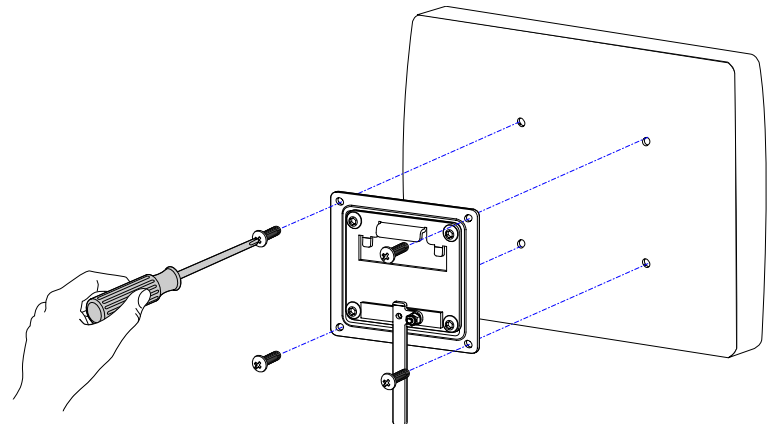
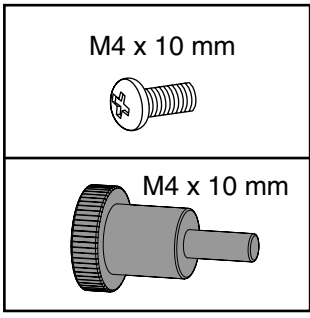
3
2 100mm



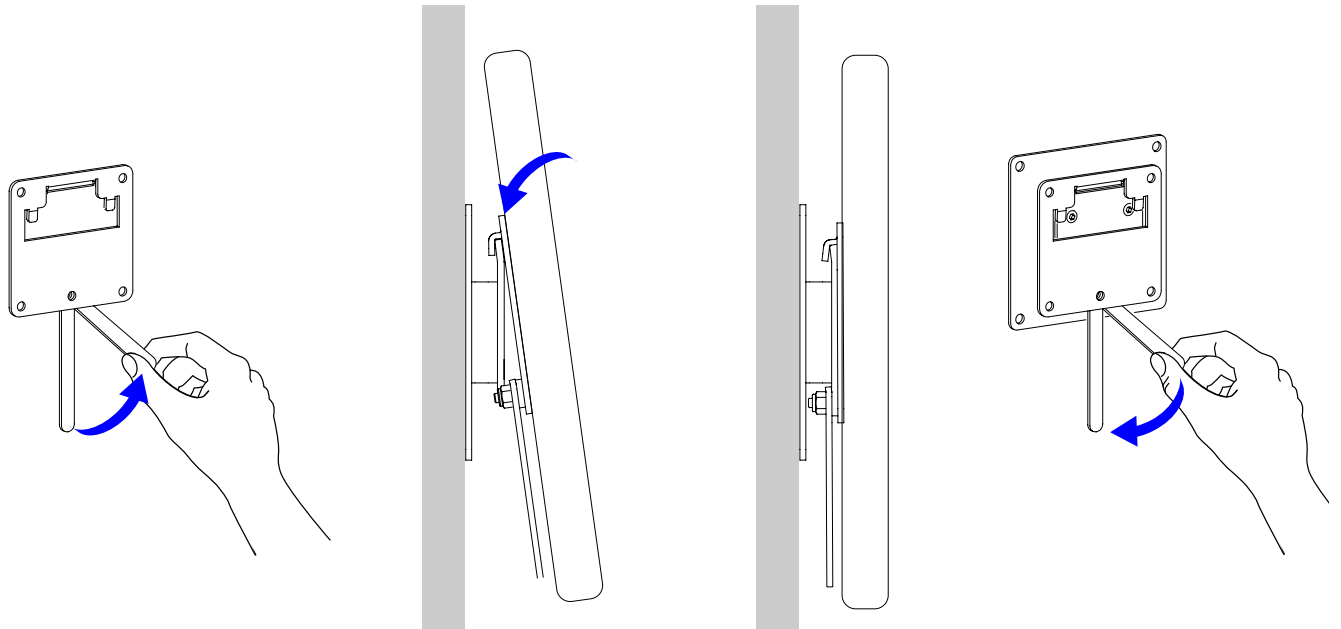
3a



If your monitor uses a screw size other than M4 x 10mm, DO NOT use the M4 x 10mm screws or knob provided as they could result in damage to the monitor.



3b



Check for proper attachment of the monitor and Monitor Bracket to the Wall Bracket. Failure to securely attach the monitor and Monitor Bracket to the Wall Bracket could result in the monitor and Monitor Bracket separating from the Wall Bracket, resulting in damage to the monitor or personal injury.

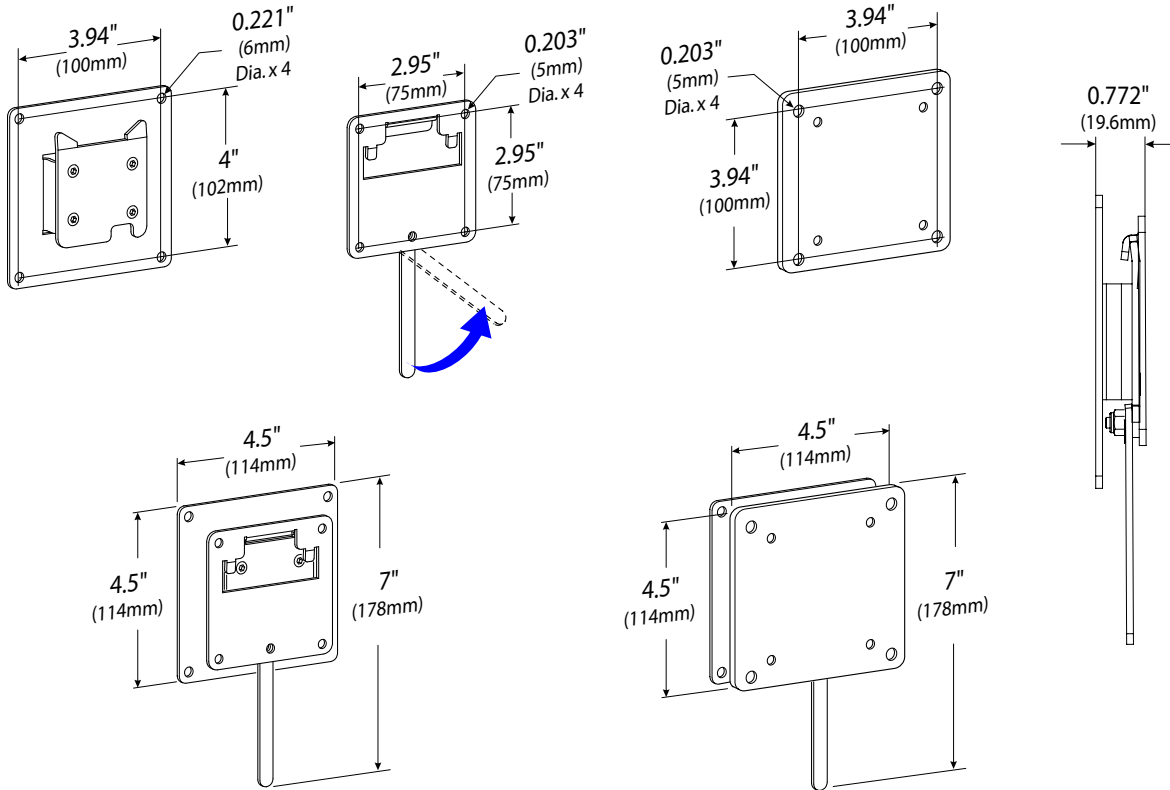
? TROUBLE SHOOTING

Symptom	Probable Cause	Solution
Lever on the Monitor Bracket is hard to move	Nut is tightened to tight	Loosen Nut on Lever
Lever on the Monitor Bracket does not lock into place	Monitor Bracket and Wall Bracket are not fully engaged	Make sure monitor is attached and pushed into place

SPECIFICATIONS

Part Number	Description	Weight Capacity	Net Weight	Shipping Weight
FSW-100	Flat Wall Mount (Quick Release)	30 lbs (13.6kg)	1 lb (.5kg)	2 lbs (1kg)

DIMENSIONS



REPLACEMENT PARTS

Contact your Chief Manufacturing representative for details



Chief Manufacturing Inc.
12800 Hwy 13 S., Ste. 500
Savage, MN 55378 USA

Phone: 1-800-582-6480
Fax: 1-877-894-6918
www.chiefmfg.com