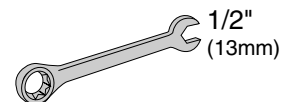
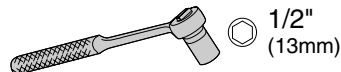
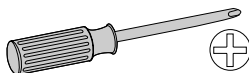
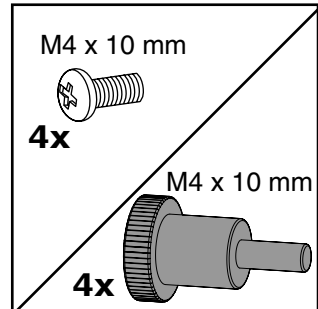
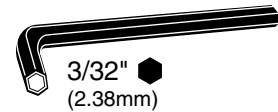
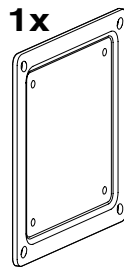
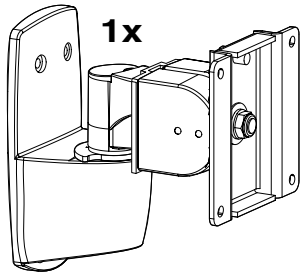
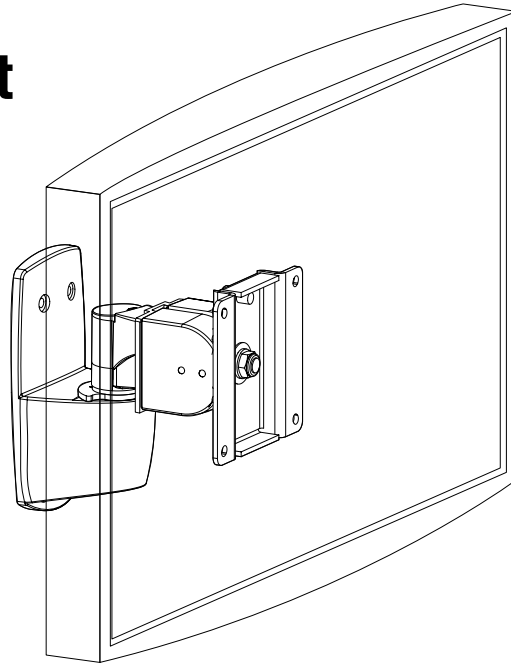




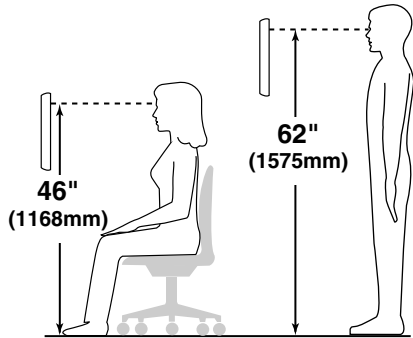
INSTALLATION MANUAL

Model FSW-205 6" Pivot Wall Mount

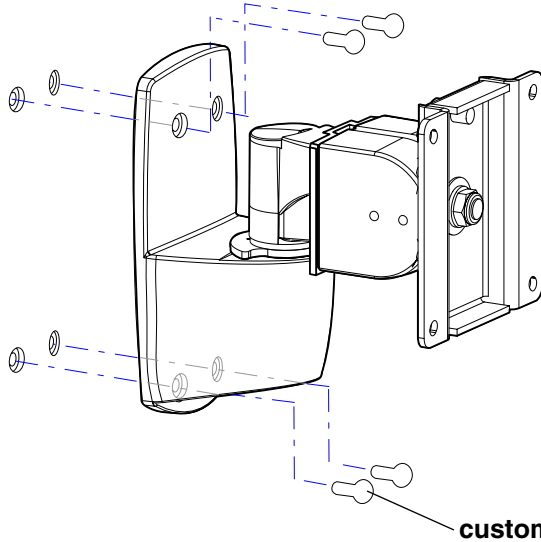


1

ERGONOMIC EYE HEIGHT RECOMMENDATIONS

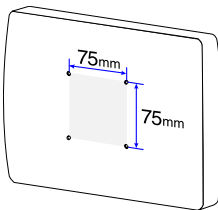
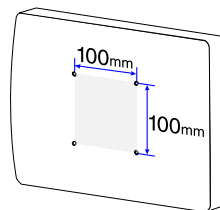
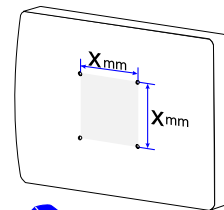


	Eye Height		Center of Operating Range
	Standing	Sitting	
Average Female	59" (1509 mm)	44" (1118 mm)	54" (1377 mm)
Average Person	62" (1567 mm)	46" (1171 mm)	54" (1377 mm)
Average Male	64" (1636 mm)	48" (1232 mm)	54" (1377 mm)

2

The 6" Pivot Wall Mount must be securely attached to the vertical surface. Because construction varies widely and your ultimate mounting method is out of Chief Manufacturing's control, it is imperative that you consult with appropriate local engineering, architectural, or construction personnel to ensure that the Wall Bracket is mounted properly to handle applied loads.

customer supplied fasteners

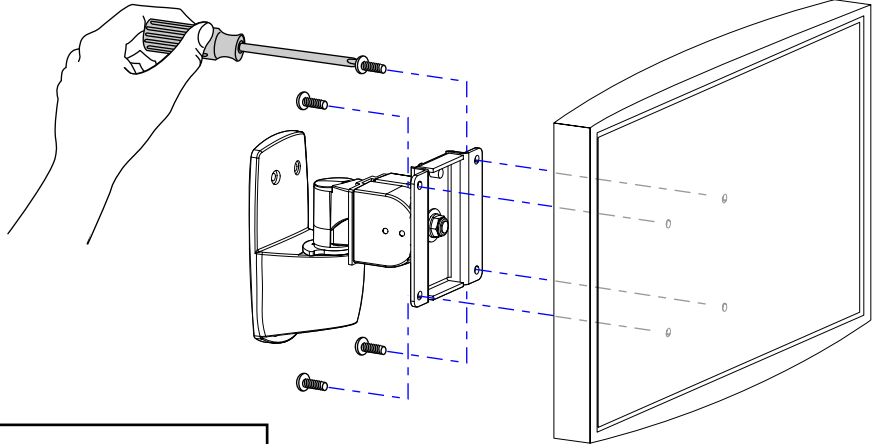
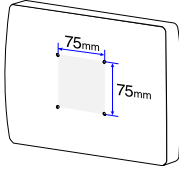
3**75mm****3****100mm****3****Xmm**

Contact Chief Manufacturing

3

1

75mm

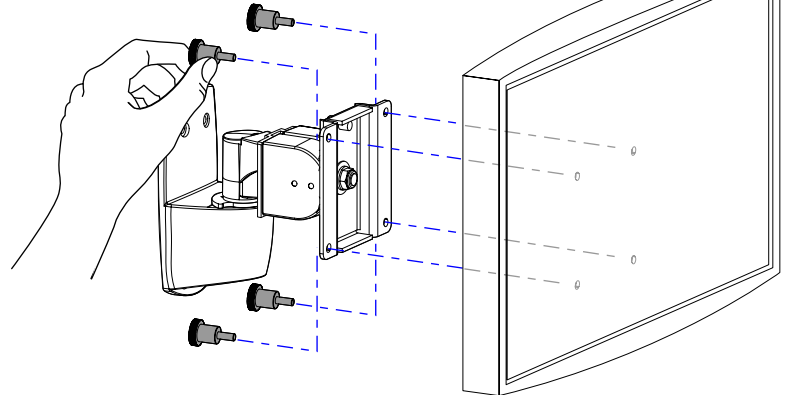
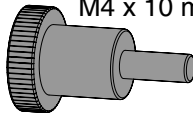


If your monitor uses a screw size other than M4 x 10mm, DO NOT use the M4 x 10mm screws or knob provided as they could result in damage to the monitor.

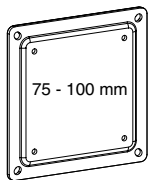
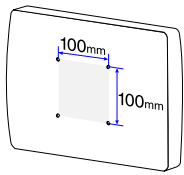
M4 x 10 mm



M4 x 10 mm

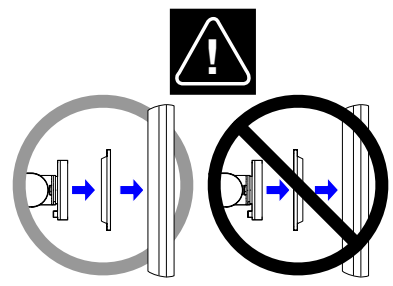
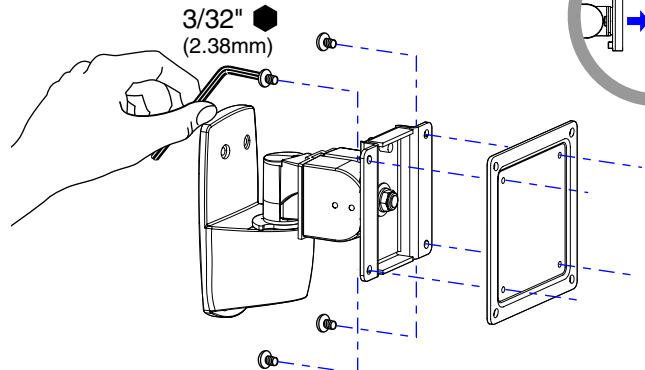


3
2 100mm

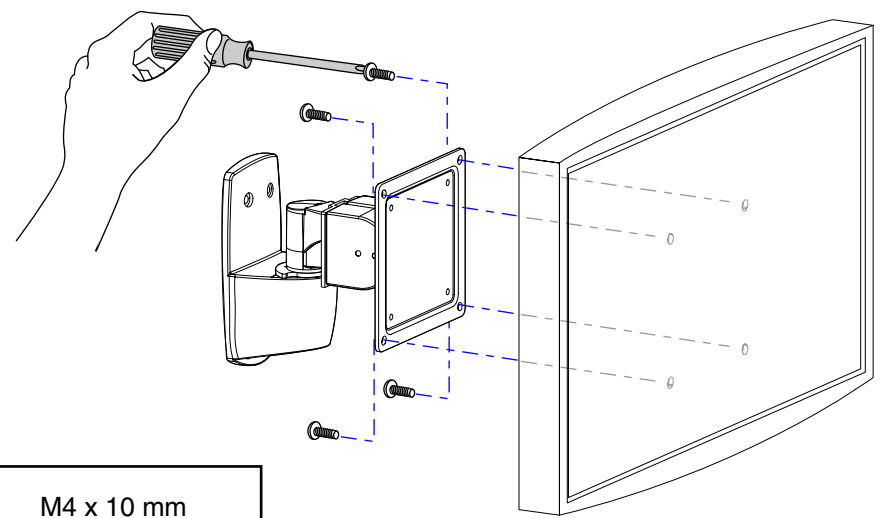


4x #8-32

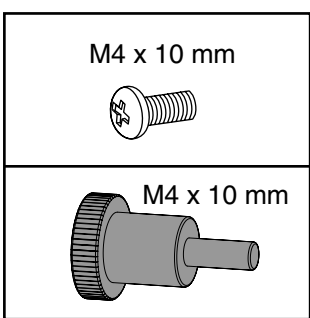
3/32" (2.38mm)



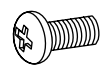
3a



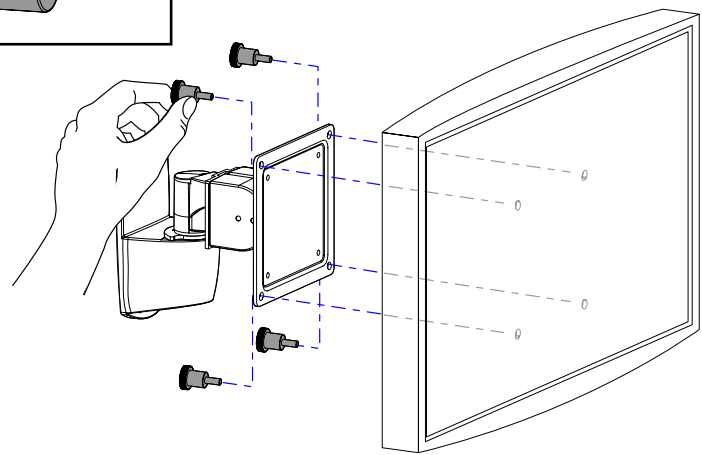
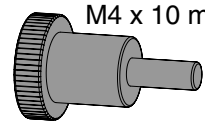
If your monitor uses a screw size other than M4 x 10mm, DO NOT use the M4 x 10mm screws or knob provided as they could result in damage to the monitor.



M4 x 10 mm



M4 x 10 mm

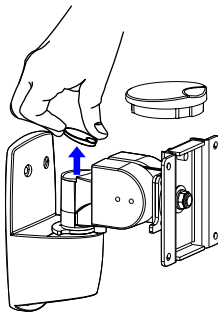
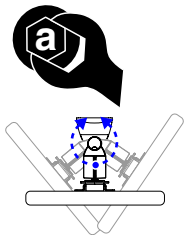
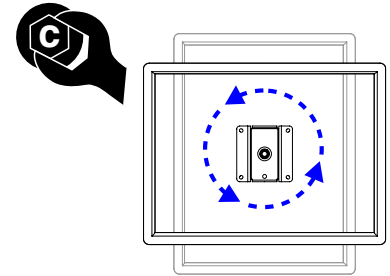
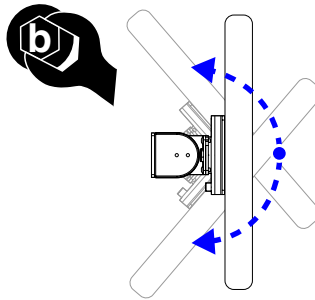
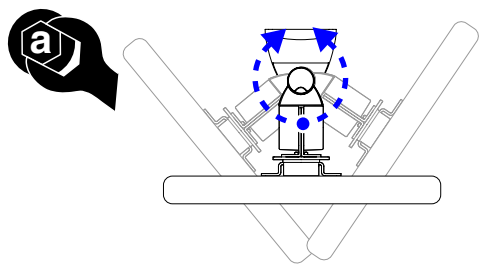


3b

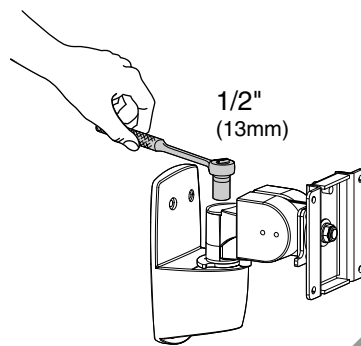
4

OVERVIEW

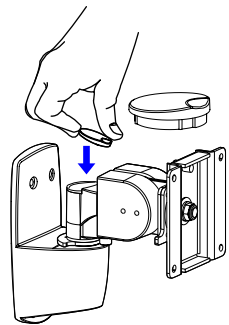
The 6" Pivot Wall Mount is factory-set to provide positive pivot control and a smooth moving force throughout the entire pivot range of motion. To customize your installation, you will evaluate the operation of each Pivot function by moving the monitor through its full range of movement. If excessive force is required to pivot the monitor or if the monitor does not stay in the desired position, pivot adjustment is required. Adjust for a controlled motion of the monitor over the entire range of travel. Specific adjustment procedures for each function are found below.



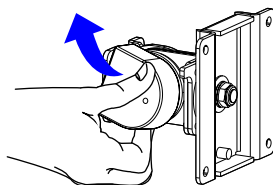
a1



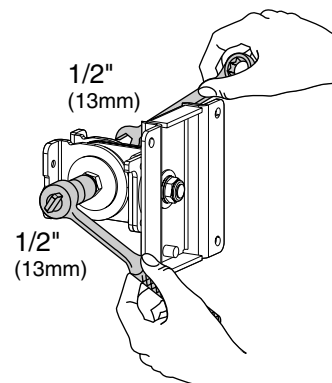
a2



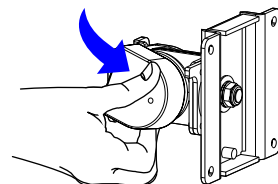
a3



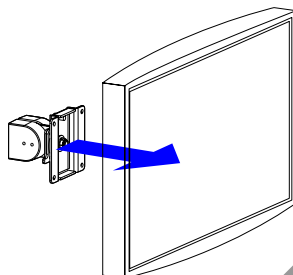
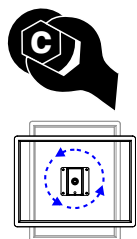
b1



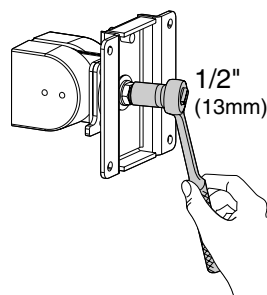
b2



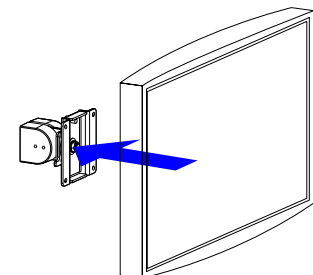
b3



c1

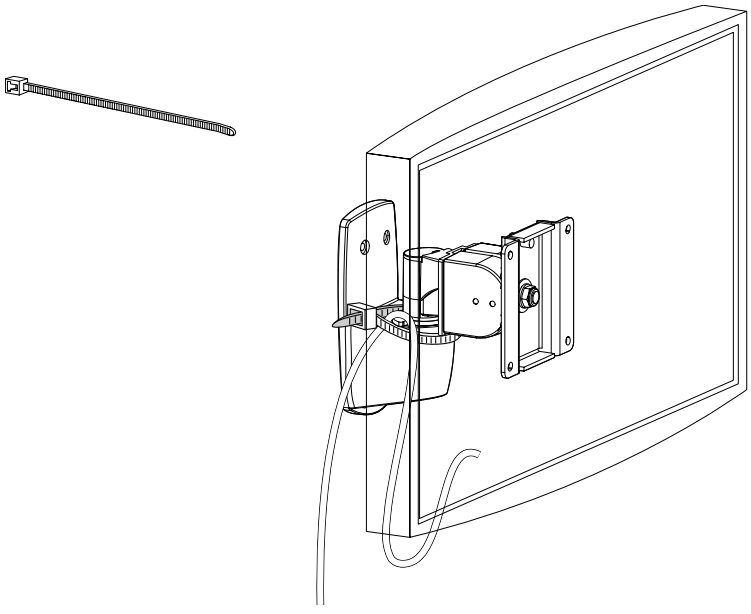


c2

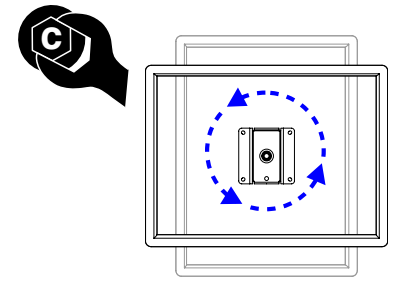
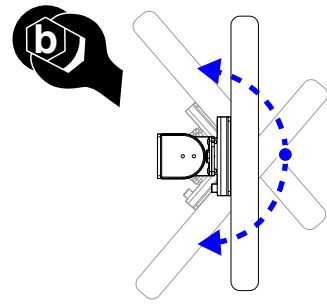
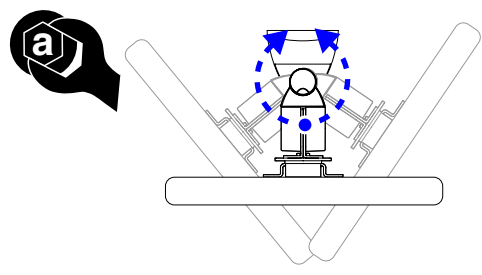


c3

5



? TROUBLE SHOOTING



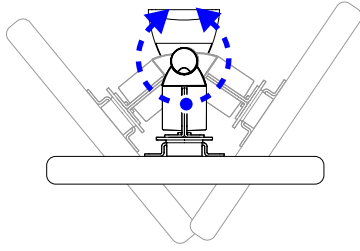
Symptom	Probable Cause	Solution
Monitor pivots up and down too difficult or too easy	Improper Pivot tension	
	Monitor exceeds weight capacity*	Contact Chief Manufacturing
Monitor pivots side-to-side too difficult or too easy	Improper Pivot tension	
Monitor rotates from portrait to landscape too difficult or too easy	Improper Pivot tension	

SPECIFICATIONS

Part Number	Description	* Weight Capacity	Net Weight	Shipping Weight
FSW-205	6" Pivot Wall Mount	23 lbs (10kg)	1 lb (.5kg)	2 lbs (1kg)

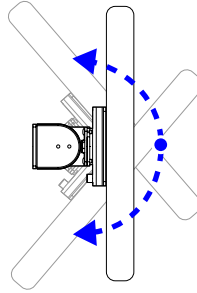
RANGE OF MOTION

Side to Side



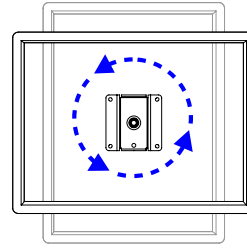
Top View

Up and Down



Side View

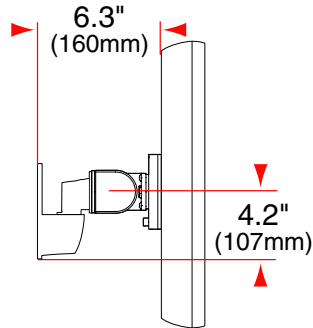
Portrait/Landscape



Front View

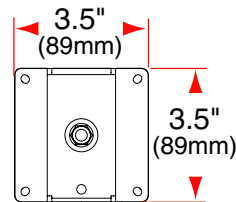
DIMENSIONS

6" Pivot Wall Mount



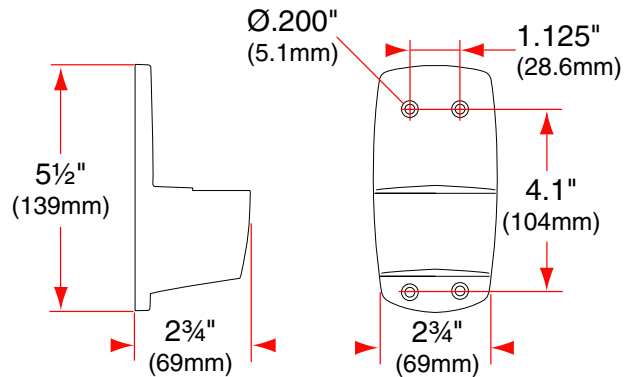
Side View

Monitor Pad



Front View

Vertical Mount Bracket



Side View

Front View

REPLACEMENT PARTS

Contact your Chief Manufacturing representative for details



Chief Manufacturing Inc.
12800 Hwy 13 S., Ste. 500
Savage, MN 55378 USA

Phone: 1-800-582-6480
Fax: 1-877-894-6918
www.chiefmfg.com