

---

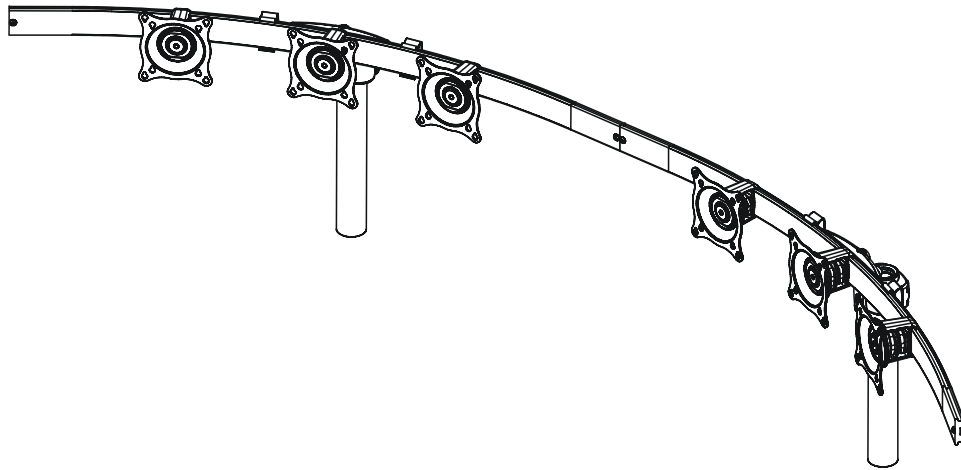
# INSTALLATION INSTRUCTIONS

---

## Array Connector Accessory Kit

Model: FTA-1001

The FTA-1001 array connector accessory is used to attach multiple arrays together to expand the number of available displays.



### BEFORE YOU BEGIN

---

#### **⚠ CAUTION!**

To prevent damage to the Kit, which could affect or void the Factory warranty, and to the equipment that will be attached to it, thoroughly study all instructions and illustrations before you begin the installation.

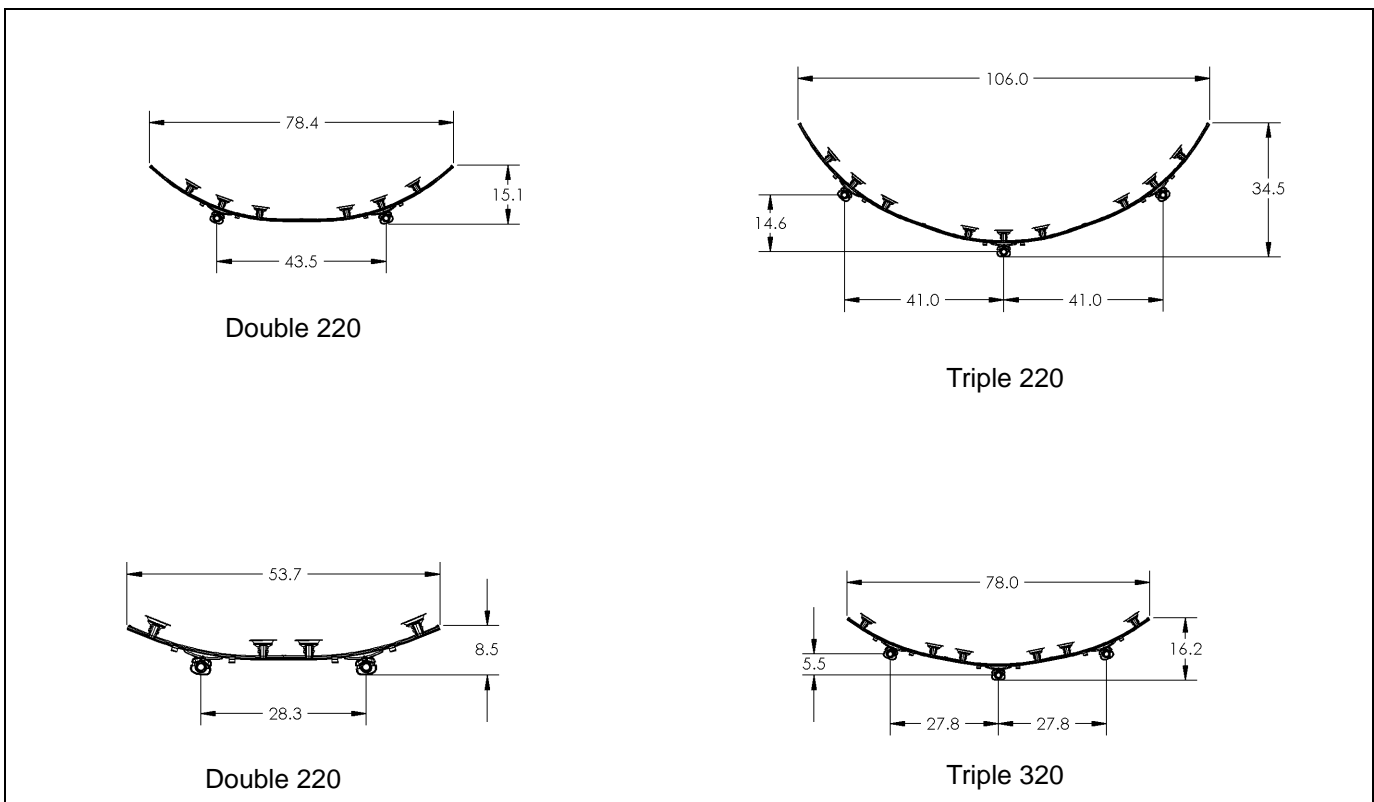
- If you have any questions about this installation, contact Chief Manufacturing at 1-800-582-6480.

**TOOLS REQUIRED FOR INSTALLATION**

- Drill and 1/2" drill bit (if mounting through a flat surface and using grommet accessory)
- 5/32" Hex Wrench

**⚠ CAUTION!**

If two arrays are being installed using the grommet mount accessory, use the illustration below when locating grommet holes.



**Figure 1: DIMENSIONS**

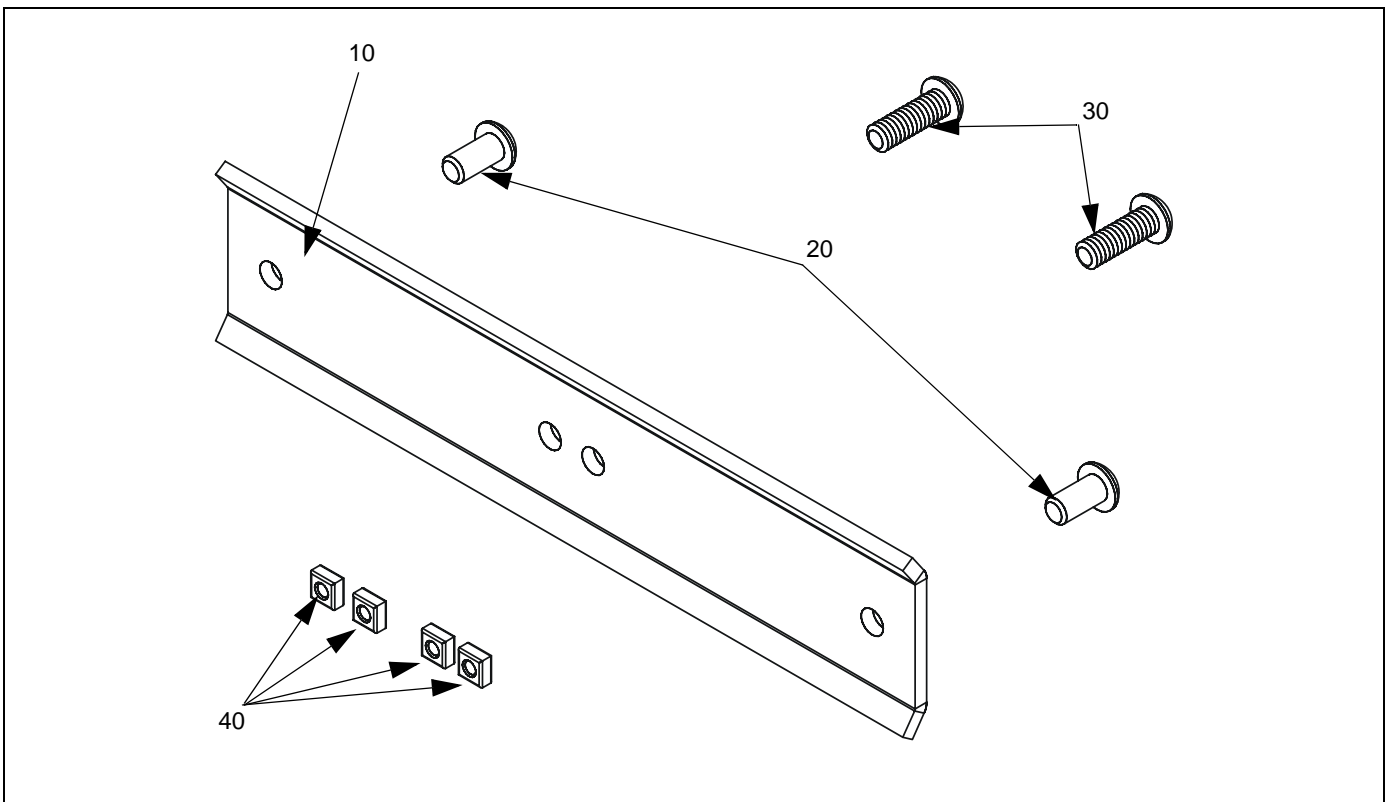
**Parts**

**INSPECT MOUNT BEFORE ASSEMBLY**

Carefully inspect components for shipping damage . If damage is apparent, call your carrier claims agent and do not continue with installation until the carrier has reviewed the damage.

**Table 1: Parts**

ITEM	DESCRIPTION	QTY
10	BRACKET, Array Connecting	1
20	SCREW, Hex Head Cap, 1/4-20 x 1/2"	2
30	SCREW, Hex Head Cap, 1/4-20 x 3/4"	2
40	NUT, Square, 1/4-20	4



**Figure 2: Parts**

## INSTALLATION

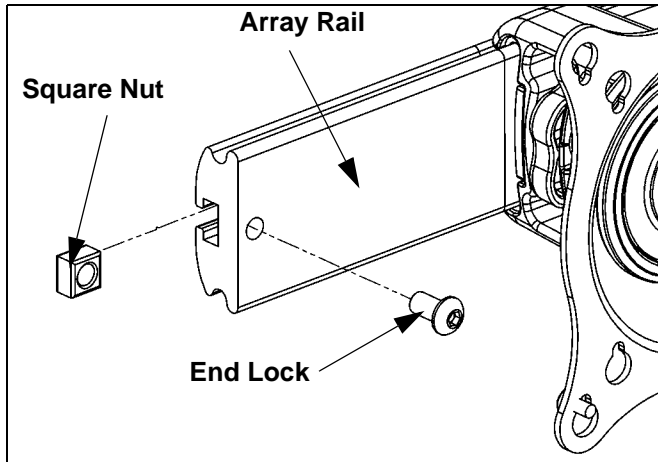
### Mount and Site Preparation

#### Mount Preparation

To prepare existing mount arrays for connection:

1. Remove end lock from array rail ends to be joined using 5/32" hex key (120). (see Figure 3)

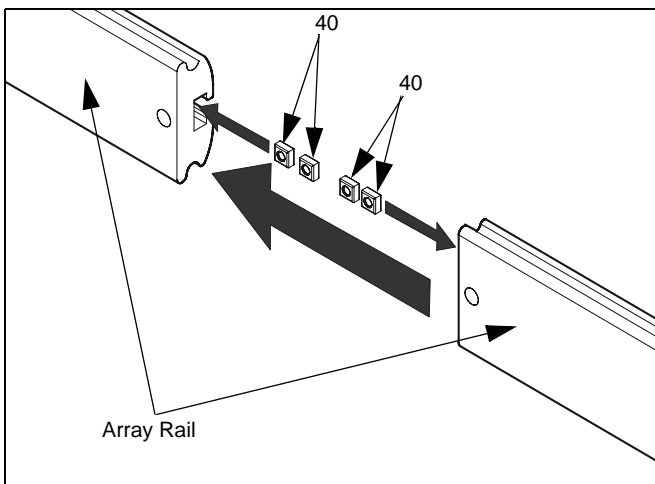
**NOTE:** Leave square nut in array rail after removing end lock.



**Figure 3: Remove End Lock**

To install the FTA-1001:

1. Insert two square nuts (40) into each rail end. (see Figure 4)
2. Slide rails together until rail ends meet.



**Figure 4: Assemble Square Nuts to Rail**

3. Place connecting bracket (10) against rails aligning holes in connector bracket with square nuts installed during step 1.

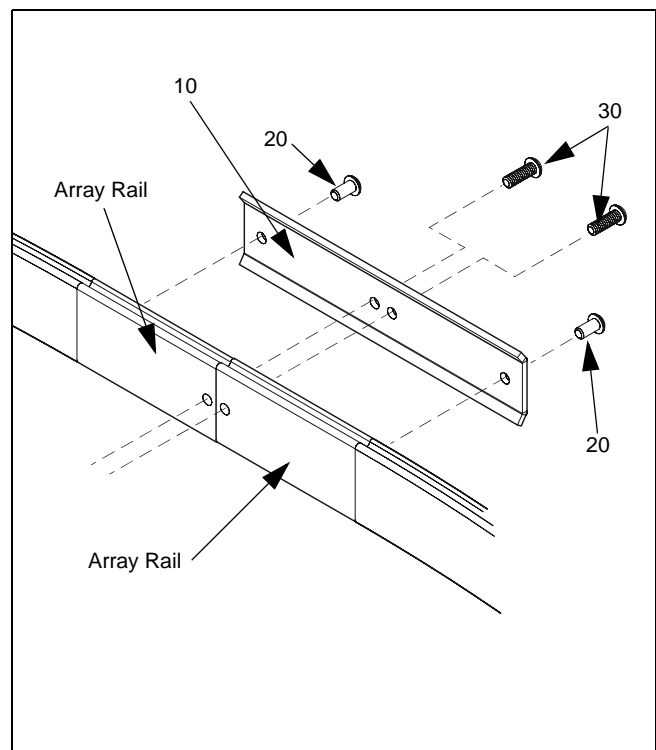
**NOTE:** The two center square nuts must align with holes in rail ends.

4. Secure connector bracket outer mounting holes to array rails using two HHCS (20) making sure each HHCS threads into a square nut (40). (see Figure 5)
5. Secure connector bracket inner mounting holes to array rails using two HHCS (30) making sure each HHCS threads into a square nut (40) and through hole in array rail. (see Figure 5)

#### ⚠ CAUTION!

Center connector mounting screws must go through square nut and hole in array rail to maintain mount integrity.

Array rail connection is now complete. Refer to Installation Instructions provided with mount or other accessory for additional installation instructions if required.



**Figure 5: Connect Array Rails**