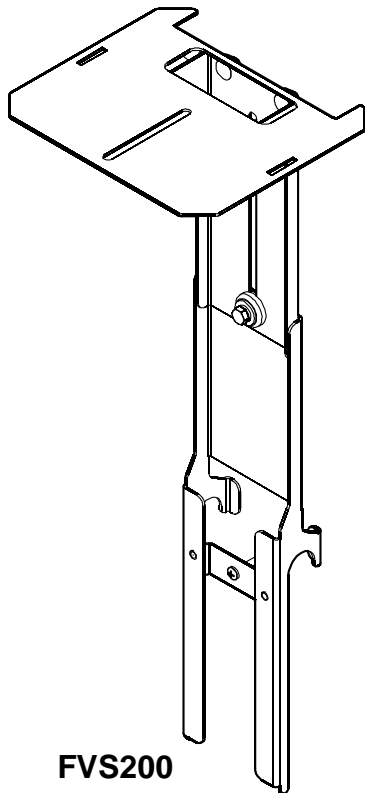


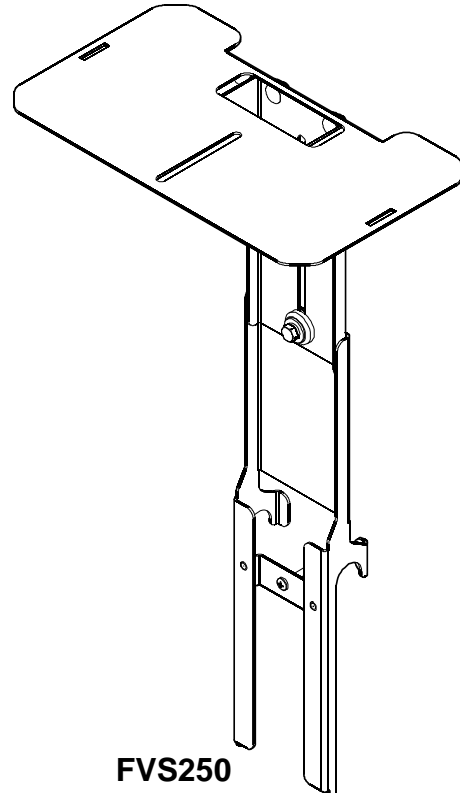
---

# INSTALLATION INSTRUCTIONS

---



FVS200



FVS250

---

## Upper Video Conference Camera Shelf

---

**DISCLAIMER**

Milestone AV Technologies and its affiliated corporations and subsidiaries (collectively "Milestone"), intend to make this manual accurate and complete. However, Milestone makes no claim that the information contained herein covers all details, conditions or variations, nor does it provide for every possible contingency in connection with the installation or use of this product. The information contained in this document is subject to change without notice or obligation of any kind. Milestone makes no representation of warranty, expressed or implied, regarding the information contained herein. Milestone assumes no responsibility for accuracy, completeness or sufficiency of the information contained in this document.

Chief® is a registered trademark of Milestone AV Technologies. All rights reserved.

**! IMPORTANT SAFETY INSTRUCTIONS!**

**! WARNING:** A WARNING alerts you to the possibility of serious injury or death if you do not follow the instructions.

**! CAUTION:** A CAUTION alerts you to the possibility of damage or destruction of equipment if you do not follow the corresponding instructions.

**! WARNING:** Failure to read, thoroughly understand, and

follow all instructions can result in serious personal injury, damage to equipment, or voiding of factory warranty! It is the installer's responsibility to make sure all components are properly assembled and installed using the instructions provided.

**! WARNING:** Failure to provide adequate structural strength for this component can result in serious personal injury or damage to equipment! It is the installer's responsibility to make sure the structure to which this component is attached can support five times the combined weight of all equipment. Reinforce the structure as required before installing the component.


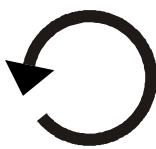



**! WARNING:** Exceeding the weight capacity can result in serious personal injury or damage to equipment! It is the installer's responsibility to make sure the combined weight of all components located on the FVS200/FVS250 does not exceed 10 lbs (4.5 kg).

**! WARNING:** RISK OF INJURY TO PERSONS! Do not use this mounting system to support video equipment such as televisions or computer monitors.

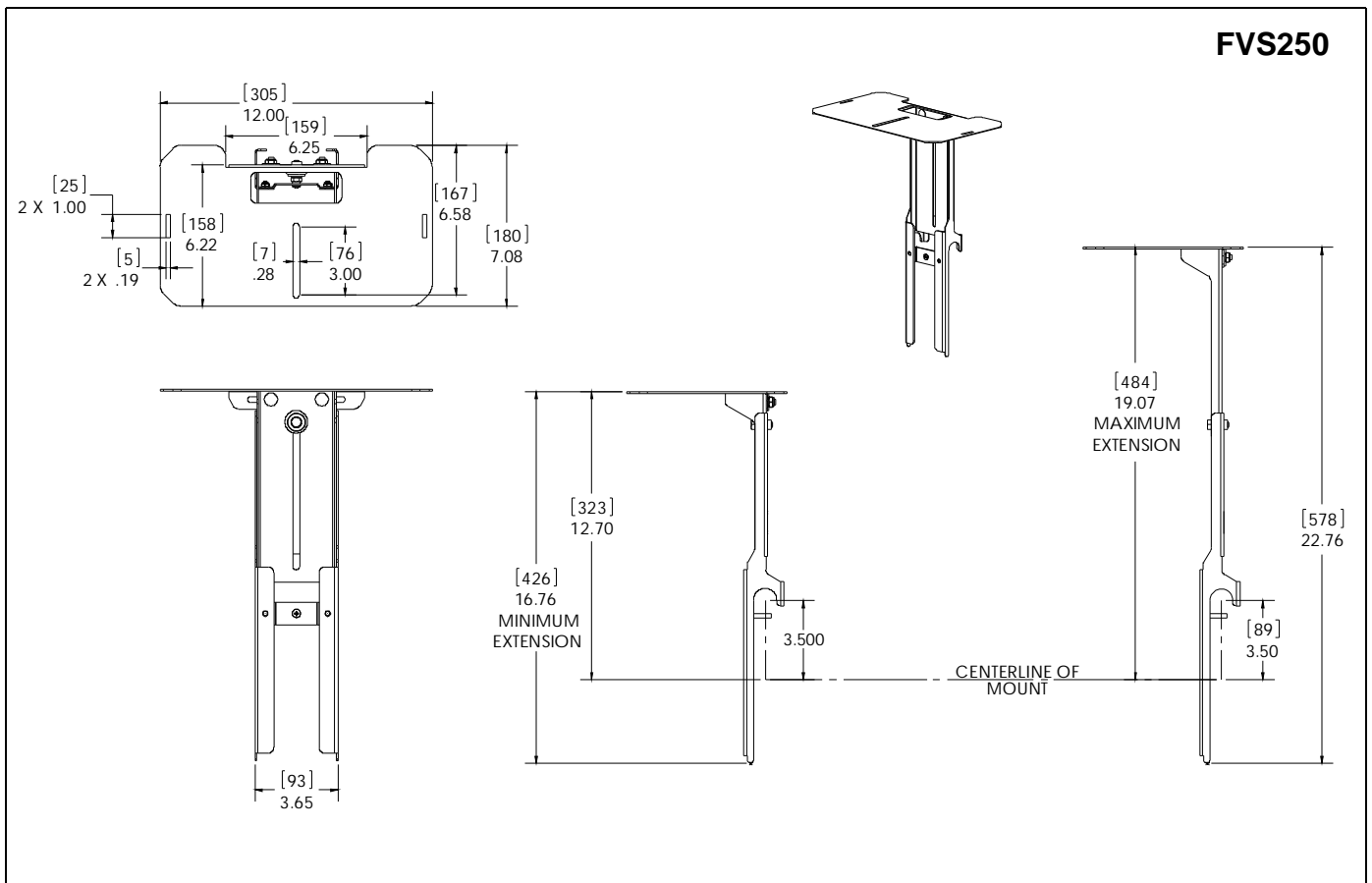
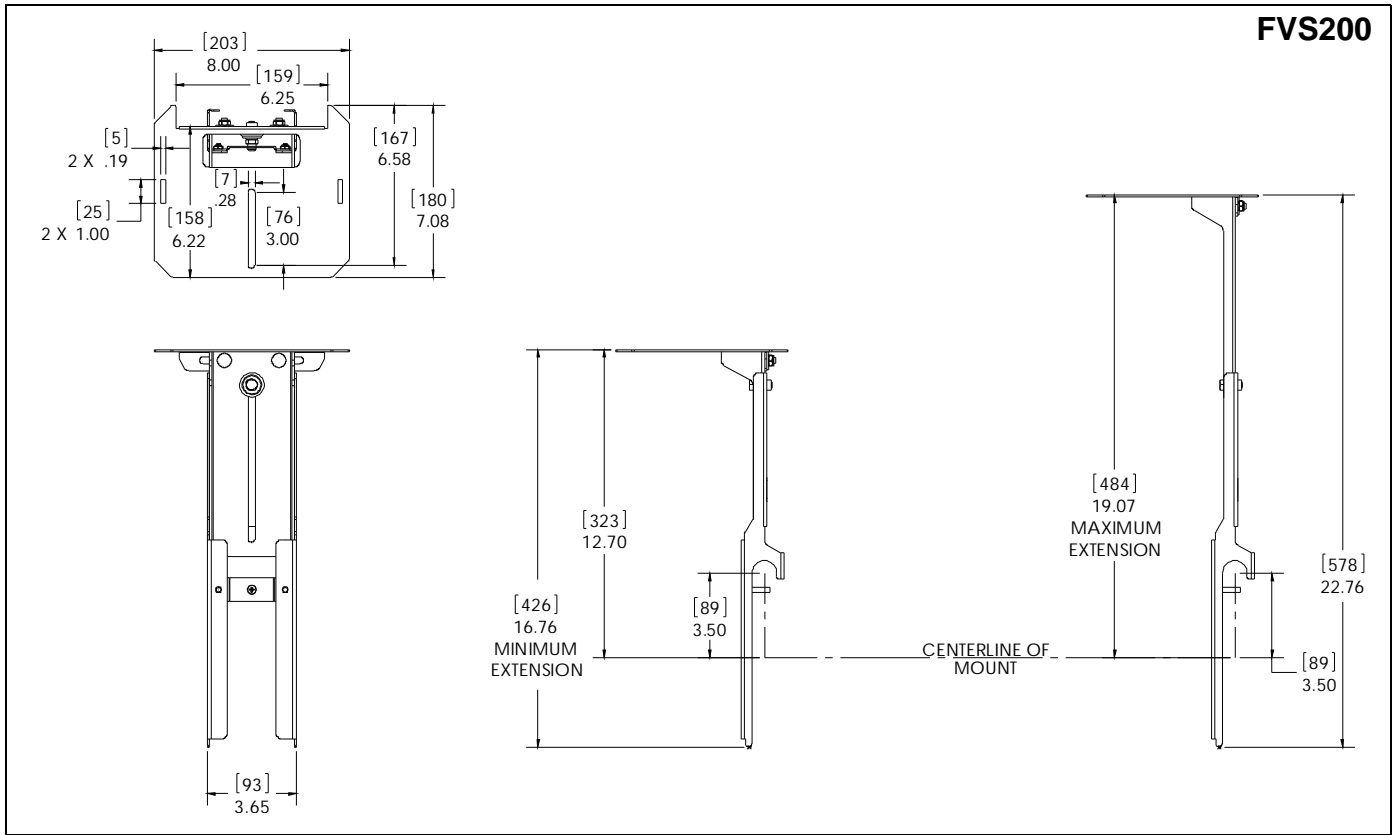
**! WARNING:** Do not use this product outdoors.

**--SAVE THESE INSTRUCTIONS--**

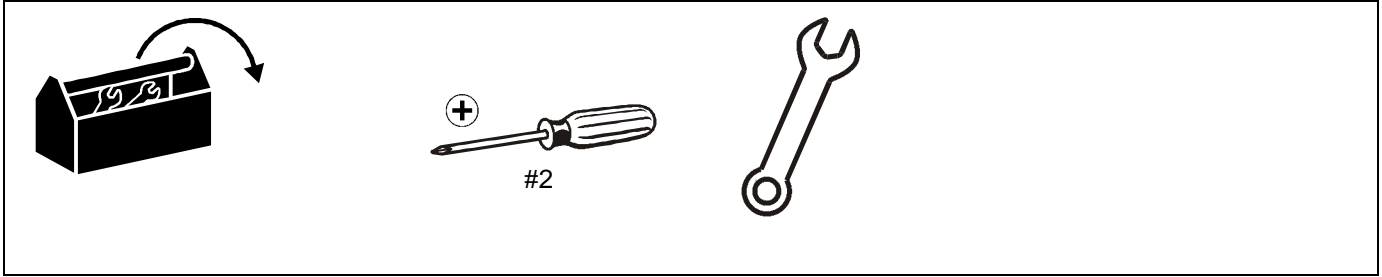
**LEGEND**

	<b>Tighten Fastener</b>
	Apretar elemento de fijación
	Befestigungsteil festziehen
	Apertar fixador
	Serrare il fissaggio
	Bevestiging vastdraaien
	Serrez les fixations
	<b>Loosen Fastener</b>
	Aflojar elemento de fijación
	Befestigungsteil lösen
	Desapertar fixador
	Allentare il fissaggio
	Bevestiging losdraaien
	Desserrez les fixations
	<b>Open-Ended Wrench</b>
	Llave de boca
	Gabelschlüssel
	Chave de bocas
	Chiave a punte aperte
	Steeksleutel Clé à fourche
	<b>Pencil Mark</b>
	Marcar con lápiz
	Stiftmarkierung
	Marcar com lápis
	Segno a matita
	Potloodmerkteken Marquage au crayon
	<b>Phillips Screwdriver</b>
	Destornillador Phillips
	Kreuzschlitzschraubendreher
	Chave de fendas Phillips
	Cacciavite a stella
	Kruiskopschroevendraaier Tournevis à pointe cruciforme

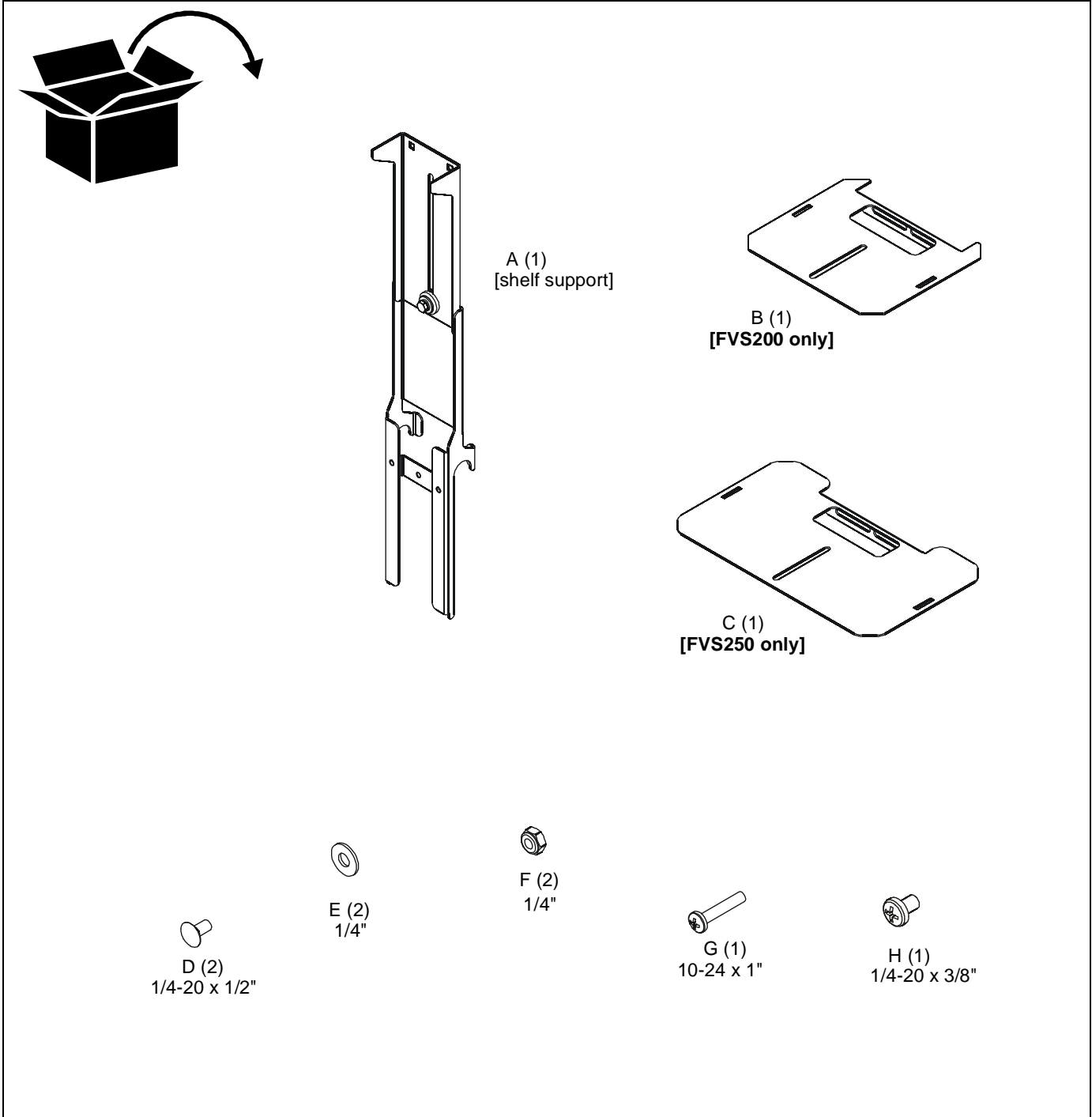
**DIMENSIONS**



**TOOLS REQUIRED FOR INSTALLATION**



**PARTS**



## ASSEMBLY AND INSTALLATION

### Assembling Shelf to Bracket

1. Lower upper shelf (B or C) to shelf support (A).  
(See Figure 1)

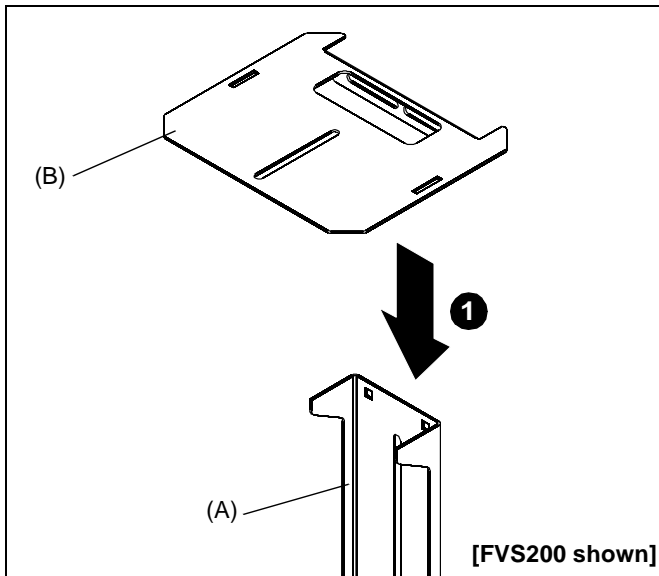


Figure 1

2. Attach upper shelf (B or C) to shelf support (A) using two 1/4-20 x 1/2" round head carriage bolts (D), two 1/4" flat washers (E) and two 1/4" Nylock lock nuts (F).  
(See Figure 2)

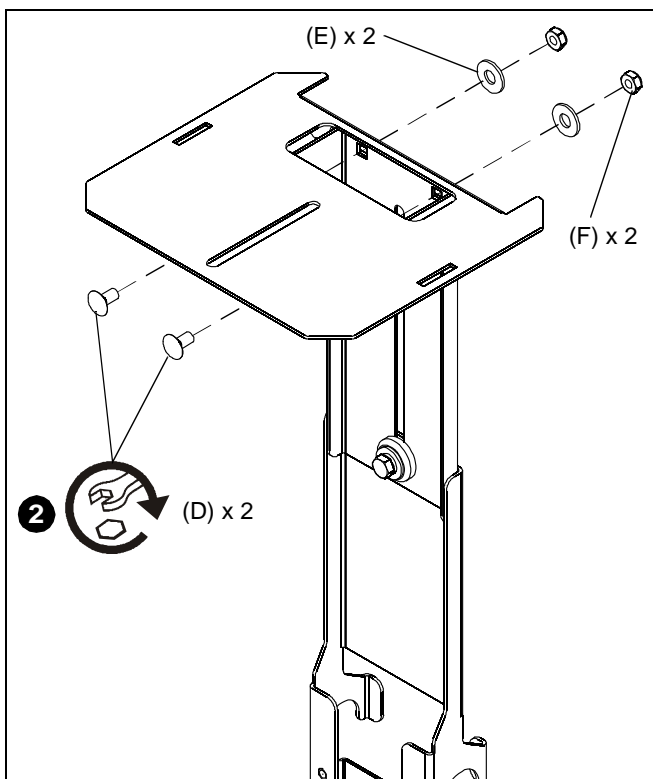


Figure 2

### Attaching to Wall Mount

**NOTE:** The FVS200/FVS250 may be attached to the wall mount with the display already in place, or with the display removed. Proceed to either **Installing to Wall Mount with Display Attached** or **Installing to Wall Mount with Display Removed** section.

#### Installing to Wall Mount with Display Attached

1. Pull top of display out and away from wall mount.
2. From above and behind the display, lower FVS200/FVS250 onto top rail of wall mount. (See Figure 3)

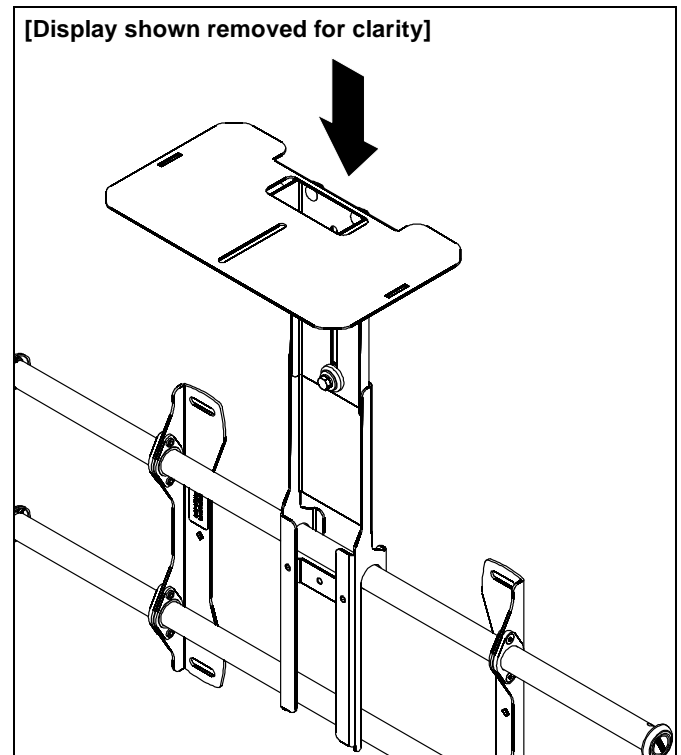


Figure 3

3. Adjust the shelf up or down on the shelf support (A) by loosening the adjustment nut, adjusting shelf to desired height, and tightening the adjustment nut. (See Figure 4)

**NOTE:** The FVS200 and FVS250 have a total height adjustment of up to 6".

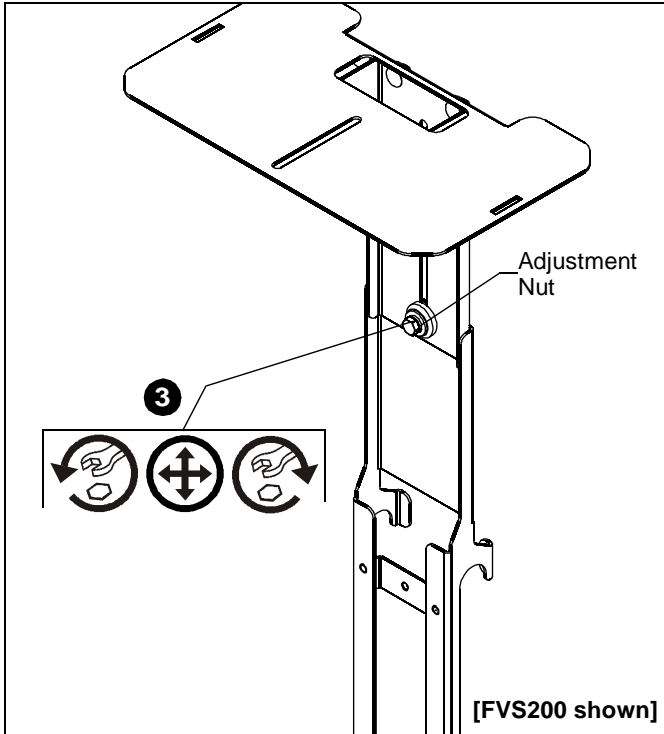


Figure 4

4. Adjust the shelf from side to side, if necessary, by loosening the two Nylock lock nuts, moving the shelf and tightening the lock nuts. (See Figure 5)

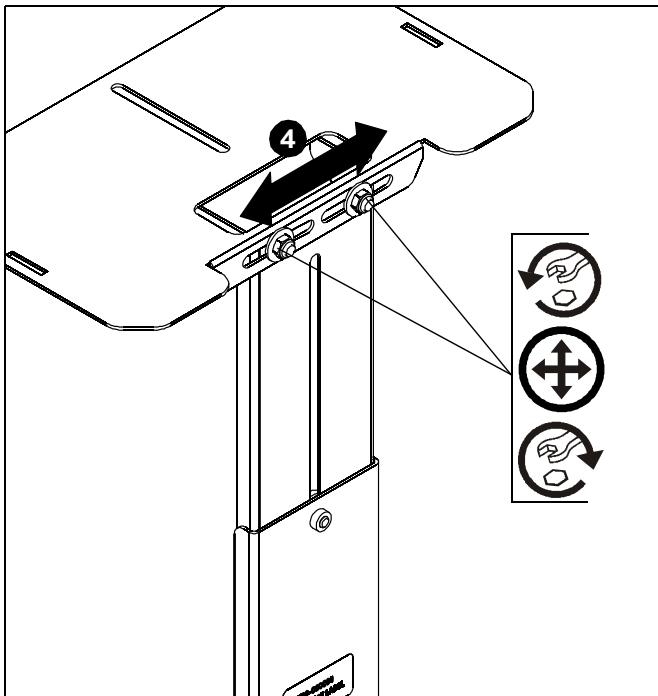


Figure 5

**NOTE:** Proceed to **Installing Camera** section.

**Installing to Wall Mount with Display Removed**

**NOTE:** Installing the FVS200/FVS250 to a wall mount where a display has been removed allows use of security screws to prevent the FVS200/FVS250 from being removed.

1. Remove display if already attached to wall mount following instructions included with the wall mount.
2. Hang FVS200/FVS250 on wall mount rail.
3. Adjust location of FVS200/FVS250 and secure to wall mount rail using one 10-24 x 1" Phillips pan head screw (G). (See Figure 6)

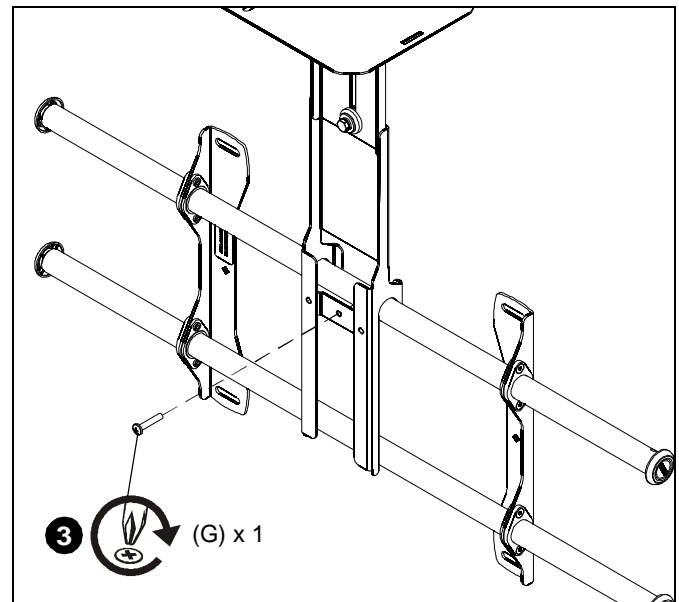


Figure 6

4. Hang display on wall mount following installation instructions included with the wall mount.

**Installing Camera**

**⚠ WARNING:** Exceeding the weight capacity can result in serious personal injury or damage to equipment! It is the installer's responsibility to make sure the combined weight of all components located on the FVS200/FVS250 does not exceed 10 lbs (4.5 kg).

1. Install 1/4-20 x 3/8" Phillips pan machine screw (H) through mounting slot on shelf and into hole on bottom of camera. (See Figure 7)
2. Route cable from camera towards back of shelf and down behind the FVS100/FVS250. (See Figure 7)

**NOTE:** Slots are provided in the shelf to allow use of a strap (not included) to hold camera on shelf. (See Figure 7)

**NOTE:** It is also acceptable to mount the camera directly to the shelf without any screws or ties.

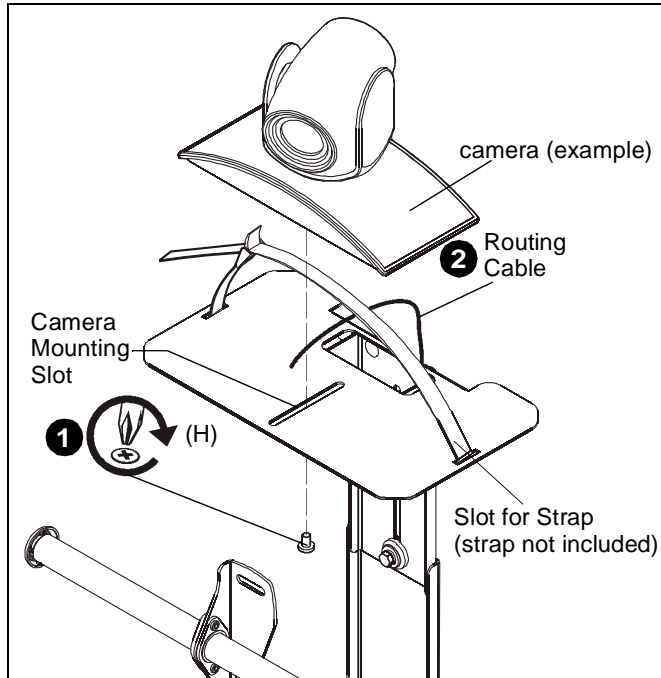


Figure 7



Our Mounts. **Your Vision.**

Chief Manufacturing, a products division  
of Milestone AV Technologies

8807-000082 Rev01  
©2012 Milestone AV Technologies, a  
Duchossois Group Company  
[www.chiefmfg.com](http://www.chiefmfg.com)  
07/12

<b>USA/International</b>	<b>A</b> 6436 City West Parkway, Eden Prairie, MN 55344 <b>P</b> 800.582.6480 / 952.225.6000 <b>F</b> 877.894.6918 / 952.894.6918
<b>Europe</b>	<b>A</b> Franklinstraat 14, 6003 DK Weert, Netherlands <b>P</b> +31 (0) 495 580 852 <b>F</b> +31 (0) 495 580 845
<b>Asia Pacific</b>	<b>A</b> Office No. 1 on 12/F, Shatin Galleria 18-24 Shan Mei Street Fotan, Shatin, Hong Kong <b>P</b> 852 2145 4099 <b>F</b> 852 2145 4477

