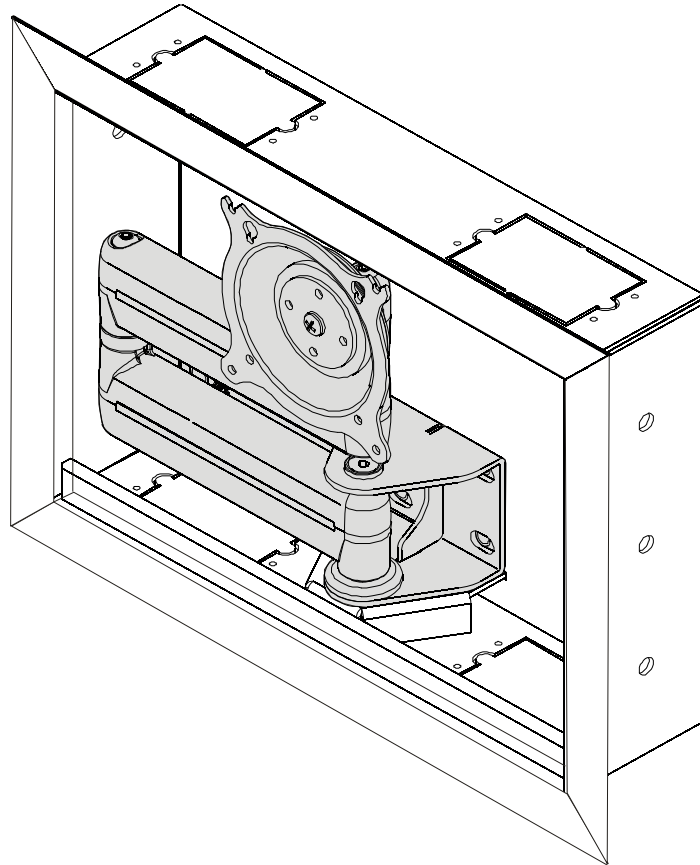


---

# INSTALLATION INSTRUCTIONS

---



---

## Small Flat Panel In-Wall Swing Arm Mount

---

**DISCLAIMER**

Milestone AV Technologies, and its affiliated corporations and subsidiaries (collectively, "Milestone"), intend to make this manual accurate and complete. However, Milestone makes no claim that the information contained herein covers all details, conditions or variations, nor does it provide for every possible contingency in connection with the installation or use of this product. The information contained in this document is subject to change without notice or obligation of any kind. Milestone makes no representation of warranty, expressed or implied, regarding the information contained herein. Milestone assumes no responsibility for accuracy, completeness or sufficiency of the information contained in this document.

Chief® and Centris are registered trademarks of Milestone AV Technologies. All rights reserved.

**! IMPORTANT SAFETY INSTRUCTIONS**

**! WARNING:** A WARNING alerts you to the possibility of serious injury or death if you do not follow the instructions.

**! CAUTION:** A CAUTION alerts you to the possibility of damage or destruction of equipment if you do not follow the corresponding instructions.

**! WARNING:** Failure to read, thoroughly understand, and follow all instructions can result in serious personal injury, damage to equipment, or voiding of factory warranty! It is the installer's responsibility to make sure all components are properly assembled and installed using the instructions provided.

**! WARNING:** Failure to provide adequate structural strength for this component can result in serious personal injury or damage to equipment! It is the installer's responsibility to make sure the structure to which this component is attached can support five times the combined weight of all equipment. Reinforce the structure as required before installing the component.

**! WARNING:** Exceeding the weight capacity can result in serious personal injury or damage to equipment! It is the installer's responsibility to make sure the combined weight of all components located between the FWDIW up to (and including) the display does not exceed 40 lbs (18.14 kg).

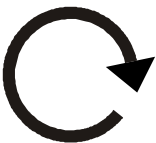
**! WARNING:** Use this mounting system only for its intended use as described in these instructions. Do not use attachments not recommended by the manufacturer.

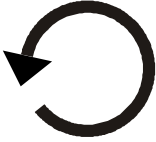
**! WARNING:** Never operate this mounting system if it is damaged. Return the mounting system to a service center for examination and repair.


**! WARNING:** Do not use this product outdoors.


**--SAVE THESE INSTRUCTIONS--**

**LEGEND**

	<b>Tighten Fastener</b>
	Apretar elemento de fijación
	Befestigungsteil festziehen
	Apertar fixador
	Serrare il fissaggio
	Bevestiging vastdraaien
	Serrez les fixations

	<b>Loosen Fastener</b>
	Aflojar elemento de fijación
	Befestigungsteil lösen
	Desapertar fixador
	Allentare il fissaggio
	Bevestiging losdraaien
	Desserrez les fixations

	<b>Hex-Head Wrench</b>
	Llave de cabeza hexagonal
	Sechskantschlüssel
	Chave de cabeça sextavada
	Chiave esagonale
	Zeskantsleutel
	Clé à tête hexagonale

	<b>Phillips Screwdriver</b>
	Destornillador Phillips
	Kreuzschlitzschraubendreher
	Chave de fendas Phillips
	Cacciavite a stella
	Kruiskopschroevendraaier
	Tournevis à pointe cruciforme

**TOOLS REQUIRED FOR INSTALLATION AND PARTS**

**TOOLS:**

- 3/16" (Included) Hex Key
- Screwdriver

**PARTS:**

- A (1)** [swing arm]
- B (4)** 2 short (SIDES) 2 long
- C (4)** 5/16-18 x 5/8"
- D (4)** 5/16"
- E (4)** 1/4"
- F (1)** [bumper mounting bracket]
- G (2)** [bumper]
- H (2)** [cable management cover]
- I/M** x1
- J (4)** 8-32 x 3/8"
- K (2)** 08 x 1/2"
- L (12)** [adhesive square]
- M (4)** [cable tie mount]
- N (1)** 3/16"
- P (4)** [cable tie]

**Q (with FWDIWVB only)**

- Q1 (4)** M4x8mm
- Q2 (6)** M4x16mm
- Q3 (6)** 1/8"
- Q4 (1)** [100 x 200 VESA bracket]

**R**

- R1 (4)** M4x12mm
- R2 (4)** M4x20mm
- R3 (4)** 3/8"
- R4 (4)** 3/4"
- R5 (4)** M4x30mm

### Installation

The following procedure assumes that a Chief Model FAC501 In-Wall accessory has previously been installed following the installation instructions provided by the manufacturer. If a FAC501 is not installed or there are any other questions regarding the installation of this accessory, immediately contact Chief.



**WARNING:** IMPROPER INSTALLATION CAN LEAD TO MOUNT FALLING CAUSING SEVERE PERSONAL INJURY OR DAMAGE TO EQUIPMENT! DO NOT deviate from installation instructions provided. DO NOT substitute hardware.

#### Install Bumper

1. Install two bumpers (G) to bumper mounting bracket (F). (See Figure 1)

**NOTE:** A screwdriver may be required to push bumper into hole in bumper mounting bracket.

2. Secure bumper mounting bracket (F) to FAC501 onto the side the arm will be located on when retracted using two Phillips pan head screws (K). (See Figure 1)

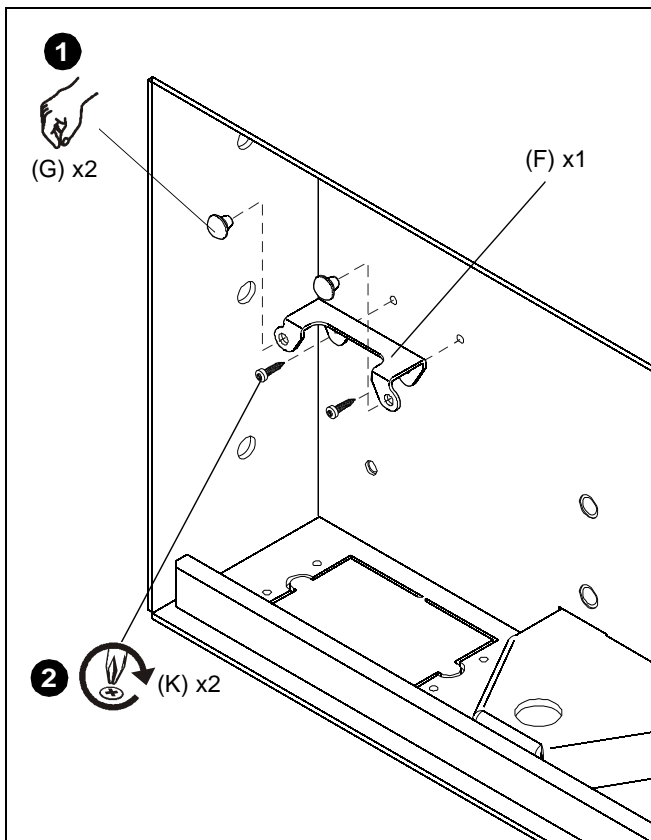


Figure 1

3. Align bottom of swing arm pivot pin with hole in lower support plate. (See Figure 2)
4. Lower swing arm until pivot pin rests in hole in lower support plate. (See Figure 2)
5. Align four mounting holes in swing arm mounting bracket with four mounting holes in FAC501. (See Figure 2)

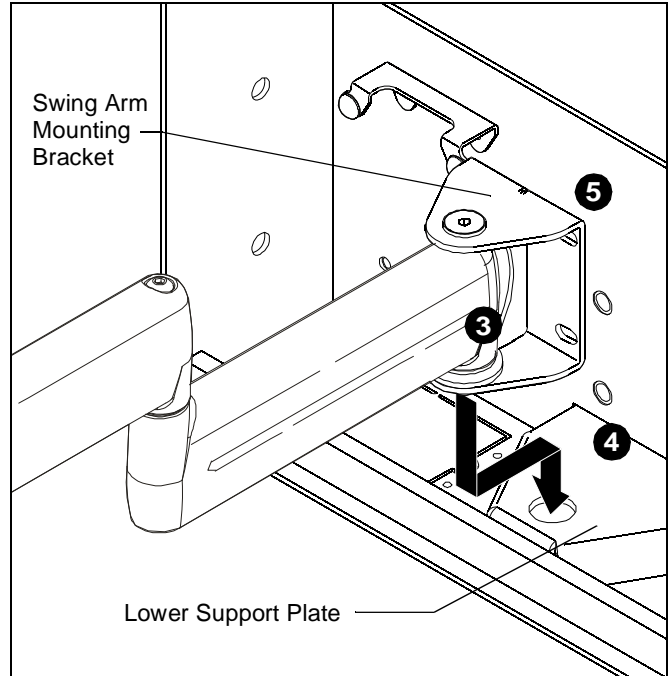


Figure 2

6. Secure swing arm to FAC501 using four button head cap screws (C), four lock washers (D) and four flat washers (E).

**NOTE:** The mounting holes in the swing arm mounting bracket are slotted horizontally to allow the mount to be slightly off-center to provide better cable clearance.

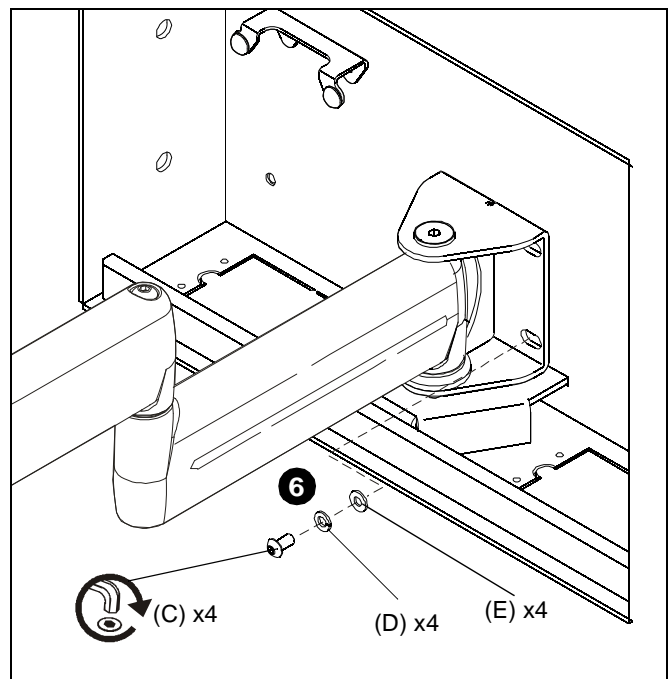


Figure 3

### Display Installation

The mounting holes on the back of the display will either be *flush with the back surface*, or *recessed into the back surface*. Refer to the applicable installation procedure below.

**NOTE:** If interface bracket is required, proceed to Attach Interface Bracket to Display section.

#### Flush Mount Display



**WARNING:** IMPROPER INSTALLATION CAN LEAD TO DISPLAY FALLING CAUSING SERIOUS PERSONAL INJURY OR DAMAGE TO EQUIPMENT! Using screws of improper size may damage your display! Proper screws will easily and completely thread into display mounting holes. Ensure that screws are not too long.



**WARNING:** IMPROPER INSTALLATION CAN LEAD TO DISPLAY FALLING CAUSING SERIOUS PERSONAL INJURY OR DAMAGE TO EQUIPMENT! Inadequate thread engagement in display may cause display to fall! Back out screws ONLY as necessary to allow installation of Centris bracket!

1. Partially install two screws (R1) into upper mounting holes in display back. (See Figure 4)

**NOTE:** Leave at least 1/8" of each screw protruding out back of display.

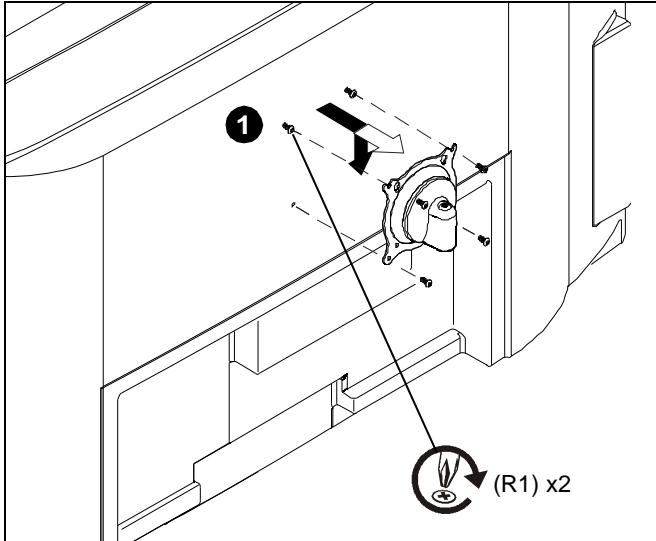


Figure 4

2. Align two screws (R1) in display back with upper teardrop mounting holes in faceplate. (See Figure 5)
3. Place two screws (R1) in display back into upper teardrop mounting holes in faceplate and lower display until screws are seated in lower area of teardrop mounting holes. (See Figure 5)
4. Install two screws (R1) through lower mounting holes in faceplate and into display back. (See Figure 5)
5. Tighten all hardware.
6. Proceed to Cable Management Section.

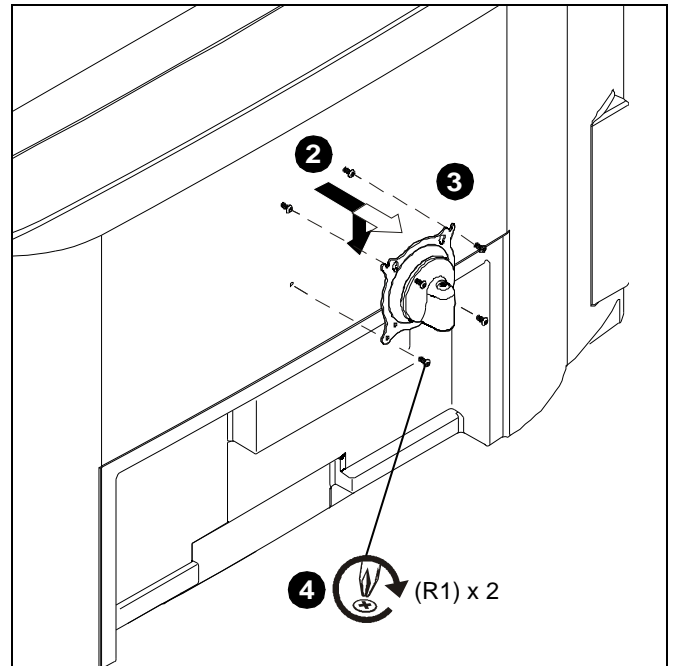


Figure 5

#### Recessed Mount

1. Place four spacers (R3, R4) over each mounting hole in display back. (See Figure 6)
2. Align teardrop mounting holes in faceplate with holes in spacers (R3, R4). (See Figure 6)
3. Install four Phillips pan head screws (R2) through faceplate and spacers (R3, R4) and into mounting holes in back of display. (See Figure 6)
4. Tighten all screws.
5. Proceed to Cable Management Section.

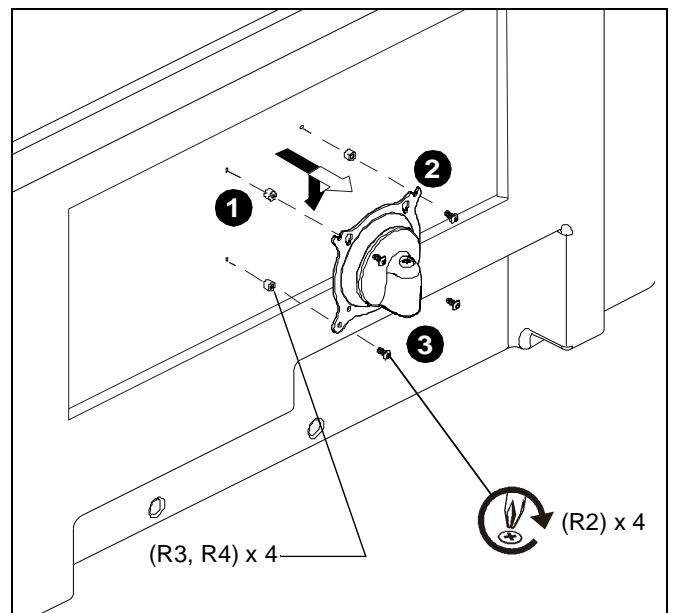


Figure 6

**Attach Interface Bracket to Display (FWDIWVB only)**

1. Lay display face down on a clean and dry flat surface.
2. Attach Interface Bracket (Q4) to display using six M4x16mm Phillips flat machine screws (Q2) and six 1/8" spacers (Q3). (See Figure 7)
3. Tighten all screws.

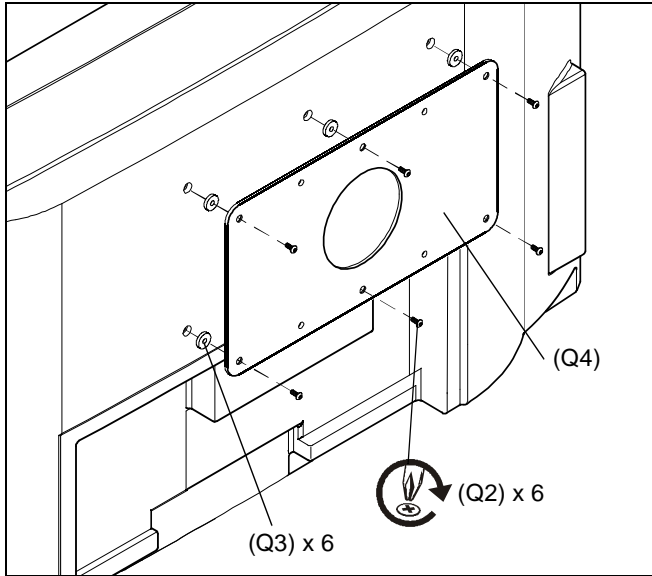


Figure 7

**Attach Display to Mount (FWDIWVB only)**

1. Start two M4 x 12mm Phillips pan head screws (R1) into top mounting holes on interface bracket (Q4). (See Figure 8)
2. Align two screws in interface bracket (Q4) with upper mounting holes in Centris cup and lower display until screws are seated in lower area of teardrop mounting holes. (See Figure 8)

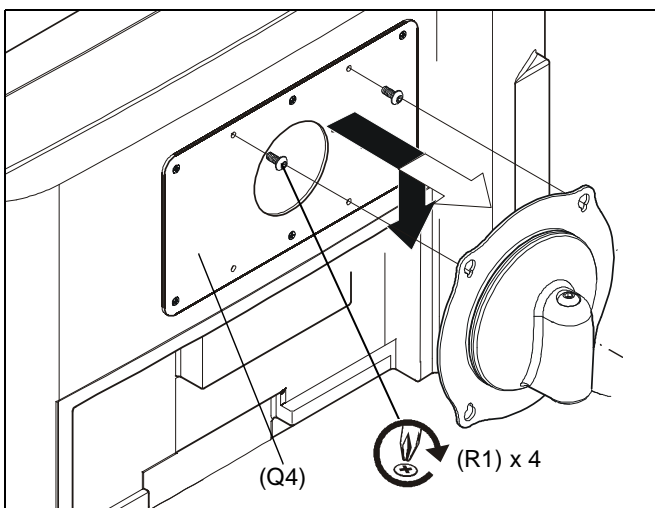


Figure 8

3. Hold display so that display back is against Centris cup and install two M4 x 12mm Phillips pan head machine screws (R1) through lower mounting holes in Centris cup and into lower mounting holes in interface bracket (Q4). (See Figure 9)

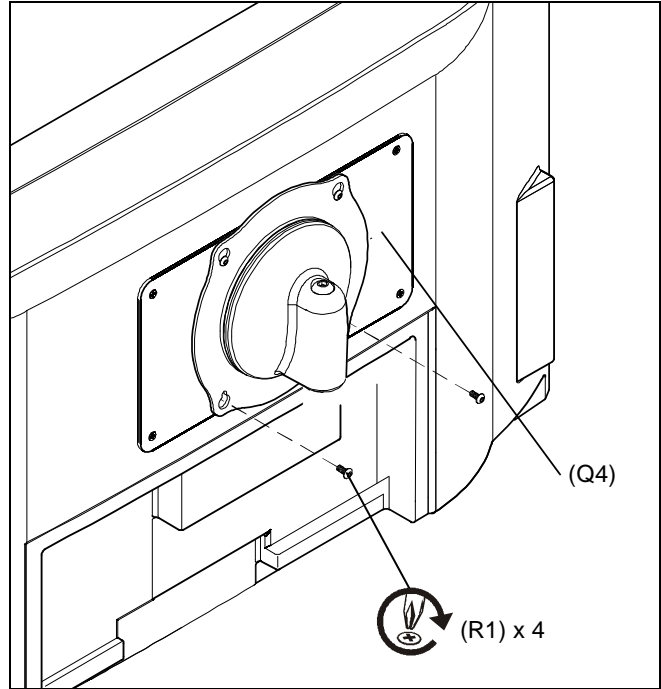


Figure 9

**Cable Management**

1. Attach all cables to display.



**CAUTION:** Ensure that adequate cable slack exists for movement of display, and that cables will not be pinched by installation of cover (H) or screws (J).

2. Carefully insert cables in cavity located in lower portion of mount arm. (See Figure 10)
3. Using Phillips screwdriver, install cover (H) with two screws (J) per arm. (See Figure 10)

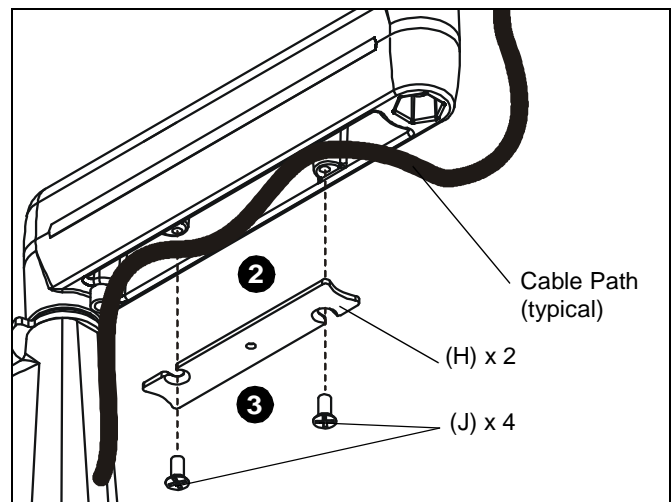


Figure 10

### Trim Installation

To install optional trim;

1. Remove paper covering adhesive and affix three tape squares (L) to inside lower flange of each trim piece (B). (See Figure 11)
2. Orient trim pieces (B) as shown in figure below. (See Figure 11)
3. Remove paper covering adhesive back from tape squares (L) on trim and press trim (B) against inner wall of box. (See Figure 11)

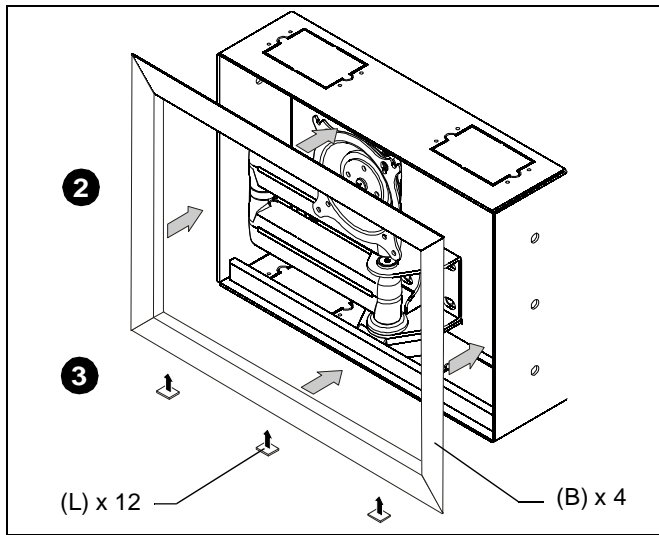


Figure 11

### Adjustments

#### Swing Arm

#### PIVOT / SWING Tension

1. Using 3/16" hex key (N), slightly loosen or tighten the adjustment screw(s) as necessary. (See Figure 12)

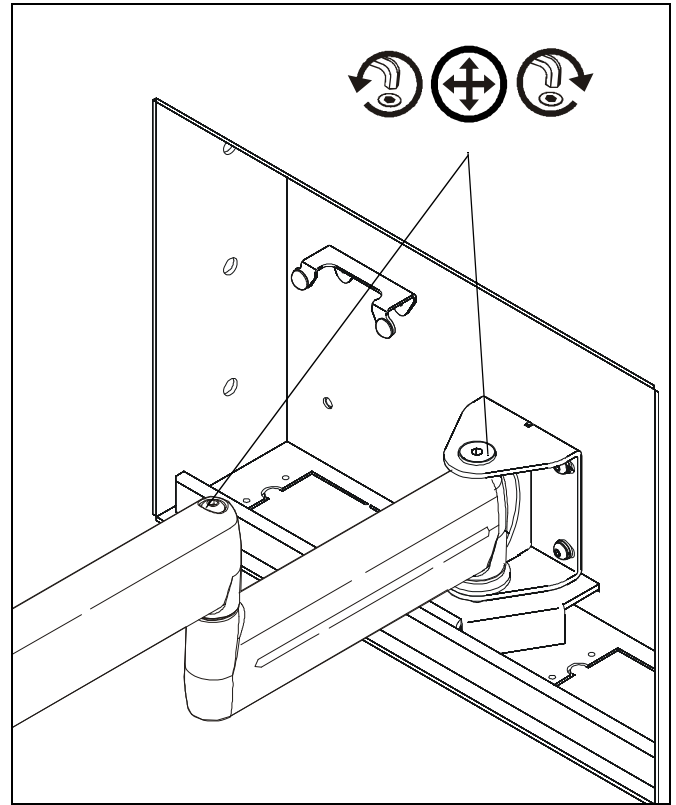


Figure 12

To adjust display Roll, Pitch, and YAW tension:

1. Disconnect all wires and cable from the display.
2. Remove two *Lower* screws securing display to Centris cup.
3. Loosen two *Upper* screws securing display.
4. Lift display upward and away from mount.
5. Using a Phillips screwdriver turn the tension adjustment screw clockwise to increase tension, or counter-clockwise to decrease tension. (See Figure 13)
6. Re-install display.

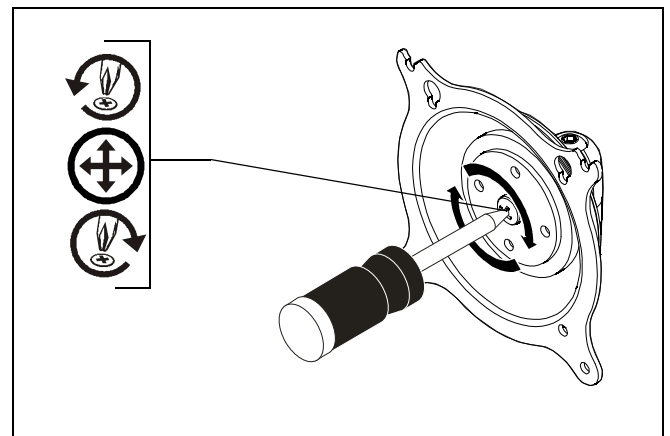


Figure 13



Our Mounts. **Your Vision.**

Chief, a products division of  
Milestone AV Technologies

8800-002162 Rev 02  
©2015 Milestone AV Technologies  
[www.chiefmfg.com](http://www.chiefmfg.com)  
01/15

<b>USA/International</b>	<b>A</b> 6436 City West Parkway, Eden Prairie, MN 55344 <b>P</b> 800.582.6480 / 952.225.6000 <b>F</b> 877.894.6918 / 952.894.6918
<b>Europe</b>	<b>A</b> Franklinstraat 14, 6003 DK Weert, Netherlands <b>P</b> +31 (0) 495 580 852 <b>F</b> +31 (0) 495 580 845
<b>Asia Pacific</b>	<b>A</b> Office No. 918 on 9/F, Shatin Galleria 18-24 Shan Mei Street Fotan, Shatin, Hong Kong <b>P</b> 852 2145 4099 <b>F</b> 852 2145 4477

