

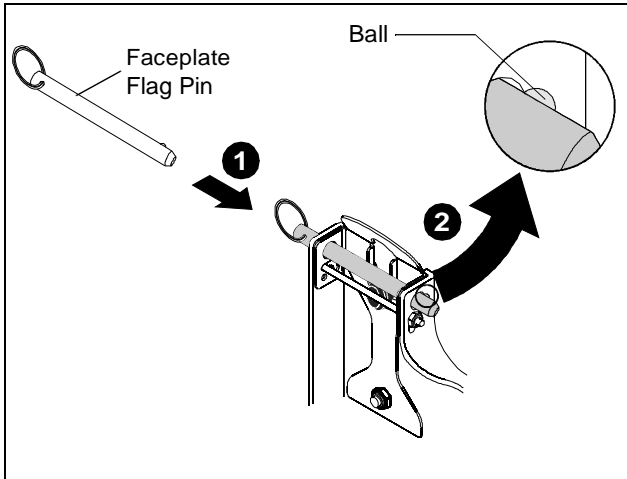
INSTALLATION INSTRUCTIONS

FACEPLATE FLAG PIN

NOTE: Make sure display mounting buttons are properly seated in faceplate mounting holes.

After display has been placed on faceplate:

1. Insert faceplate flag pin through outside edge of faceplate flag.
2. Push pin through second hole, ensuring that ball on pin passes completely through hole.



8870-000004 Rev00
04/09

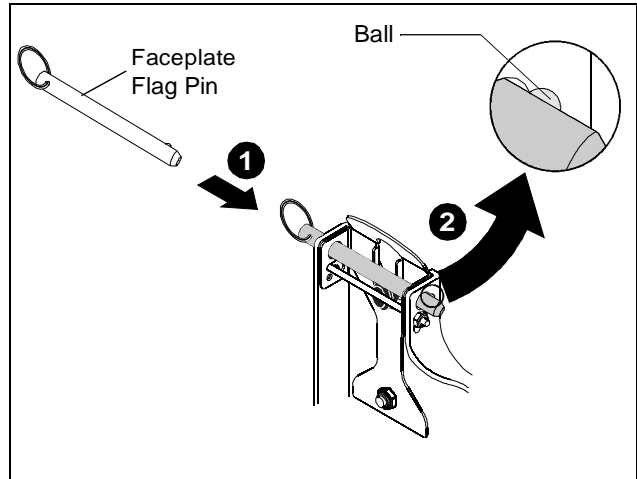
INSTALLATION INSTRUCTIONS

FACEPLATE FLAG PIN

NOTE: Make sure display mounting buttons are properly seated in faceplate mounting holes.

After display has been placed on faceplate:

1. Insert faceplate flag pin through outside edge of faceplate flag.
2. Push pin through second hole, ensuring that ball on pin passes completely through hole.



8870-000004 Rev00
04/09

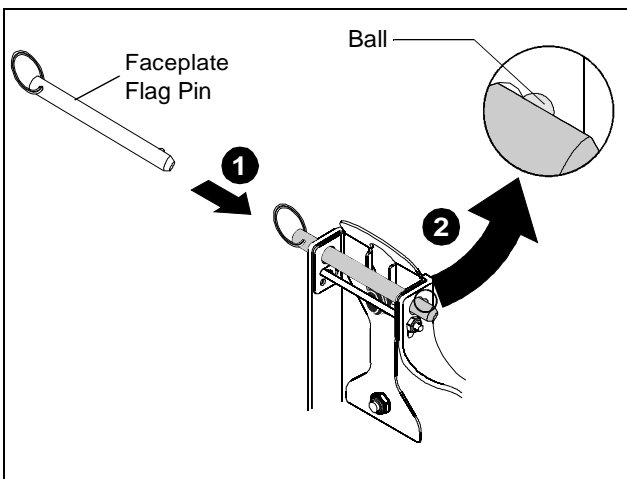
INSTALLATION INSTRUCTIONS

FACEPLATE FLAG PIN

NOTE: Make sure display mounting buttons are properly seated in faceplate mounting holes.

After display has been placed on faceplate:

1. Insert faceplate flag pin through outside edge of faceplate flag.
2. Push pin through second hole, ensuring that ball on pin passes completely through hole.



8870-000004 Rev00
04/09

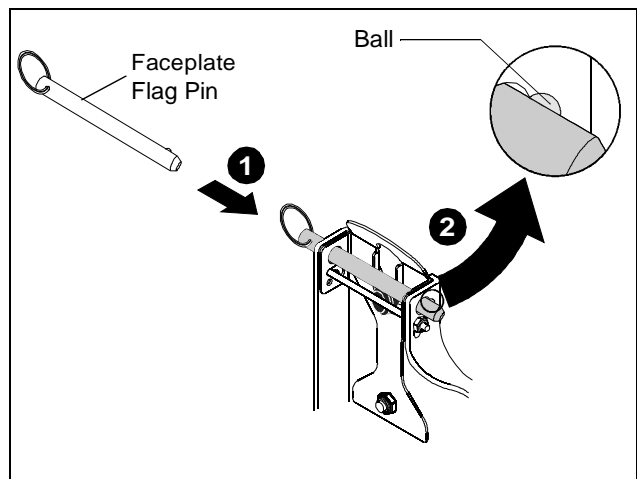
INSTALLATION INSTRUCTIONS

FACEPLATE FLAG PIN

NOTE: Make sure display mounting buttons are properly seated in faceplate mounting holes.

After display has been placed on faceplate:

1. Insert faceplate flag pin through outside edge of faceplate flag.
2. Push pin through second hole, ensuring that ball on pin passes completely through hole.



8870-000004 Rev00
04/09

DISCLAIMER

Milestone AV Technologies and its affiliated corporations and subsidiaries (collectively "Milestone"), intend to make this manual accurate and complete. However, Milestone makes no claim that the information contained herein covers all details, conditions or variations, nor does it provide for every possible contingency in connection with the installation or use of this product. The information contained in this document is subject to change without notice or obligation of any kind. Milestone makes no representation of warranty, expressed or implied, regarding the information contained herein. Milestone assumes no responsibility for accuracy, completeness or sufficiency of the information contained in this document.

Chief® is a registered trademark of Milestone AV Technologies. All rights reserved.



Chief Manufacturing,
a products division of Milestone AV Technologies
8401 Eagle Creek Parkway, Savage, MN 55378
P: 800.582.6480 / 952.894.6280 F: 877.894.6918 / 952.894.6918
www.chiefmfg.com

©2009 Milestone AV Technologies, a Duchossois Group Company

DISCLAIMER

Milestone AV Technologies and its affiliated corporations and subsidiaries (collectively "Milestone"), intend to make this manual accurate and complete. However, Milestone makes no claim that the information contained herein covers all details, conditions or variations, nor does it provide for every possible contingency in connection with the installation or use of this product. The information contained in this document is subject to change without notice or obligation of any kind. Milestone makes no representation of warranty, expressed or implied, regarding the information contained herein. Milestone assumes no responsibility for accuracy, completeness or sufficiency of the information contained in this document.

Chief® is a registered trademark of Milestone AV Technologies. All rights reserved.



Chief Manufacturing,
a products division of Milestone AV Technologies
8401 Eagle Creek Parkway, Savage, MN 55378
P: 800.582.6480 / 952.894.6280 F: 877.894.6918 / 952.894.6918
www.chiefmfg.com

©2009 Milestone AV Technologies, a Duchossois Group Company

DISCLAIMER

Milestone AV Technologies and its affiliated corporations and subsidiaries (collectively "Milestone"), intend to make this manual accurate and complete. However, Milestone makes no claim that the information contained herein covers all details, conditions or variations, nor does it provide for every possible contingency in connection with the installation or use of this product. The information contained in this document is subject to change without notice or obligation of any kind. Milestone makes no representation of warranty, expressed or implied, regarding the information contained herein. Milestone assumes no responsibility for accuracy, completeness or sufficiency of the information contained in this document.

Chief® is a registered trademark of Milestone AV Technologies. All rights reserved.



Chief Manufacturing,
a products division of Milestone AV Technologies
8401 Eagle Creek Parkway, Savage, MN 55378
P: 800.582.6480 / 952.894.6280 F: 877.894.6918 / 952.894.6918
www.chiefmfg.com

©2009 Milestone AV Technologies, a Duchossois Group Company

DISCLAIMER

Milestone AV Technologies and its affiliated corporations and subsidiaries (collectively "Milestone"), intend to make this manual accurate and complete. However, Milestone makes no claim that the information contained herein covers all details, conditions or variations, nor does it provide for every possible contingency in connection with the installation or use of this product. The information contained in this document is subject to change without notice or obligation of any kind. Milestone makes no representation of warranty, expressed or implied, regarding the information contained herein. Milestone assumes no responsibility for accuracy, completeness or sufficiency of the information contained in this document.

Chief® is a registered trademark of Milestone AV Technologies. All rights reserved.



Chief Manufacturing,
a products division of Milestone AV Technologies
8401 Eagle Creek Parkway, Savage, MN 55378
P: 800.582.6480 / 952.894.6280 F: 877.894.6918 / 952.894.6918
www.chiefmfg.com

©2009 Milestone AV Technologies, a Duchossois Group Company