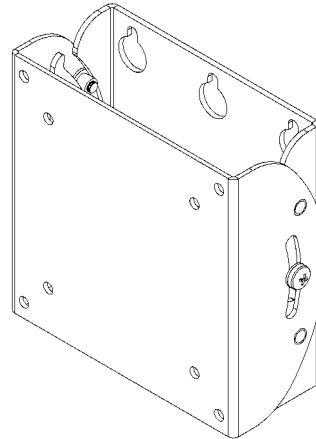

INSTALLATION INSTRUCTIONS

Small Flat Panel Tilt Wall Mount (GPM-110)

The GPM-110 tilt wall mount is designed to adapt to VESA® 75mm/100mm compliant displays.

The GPM-110 allows the user to adjust the viewing angle of the mount ± 15 degrees horizontally or vertically by hand, depending on the preferred type of installation.

After adjusting the display to the desired angle, the user can lock the mount into a fixed position. The user can easily remove the display from the wall bracket when the mount is unlocked.



GPM-110

BEFORE YOU BEGIN

- **CAUTION:** To prevent damage to your display, which could affect or void the Factory warranty, thoroughly study all instructions and illustrations before you begin to install the mount brackets. Pay particular attention to the “Important Warnings and Precautions” on Page 2.
- If you have any questions about this installation, contact Chief Manufacturing at 1-800-582-6480 or 952-582-6480.

IMPORTANT WARNINGS and CAUTIONS!

- WARNING** A **WARNING** alerts you to the possibility of serious injury or death if you do not follow the instructions.
- CAUTION** A **CAUTION** alerts you to the possibility of damage or destruction of equipment if you do not follow the corresponding instructions.
- **WARNING** Improper installation can result in serious personal injury! Make sure that the mounting surface can support a redundant weight factor *five times* the total weight of the equipment: if not, reinforce the mounting surface structural members before installing the GPM-110.
- **WARNING** Be aware of the potential for personal injury or damage to the unit if it is not adequately mounted.
- **WARNING** The installer is responsible for verifying that the mounting surface to which the GPM-110 is anchored will safely support the combined load of all attached components or other equipment.
- **WARNING** The combined weight of the display placed on the GPM-110 must not exceed 40 lbs. (18.1kg), the maximum load capacity of the mount.
- **WARNING** Watch for pinch points. Do not put your fingers between movable parts.
- **WARNING** Make sure the mount is correctly oriented.
- **CAUTION** Check the unit for shipping damage before you begin the installation.
- **CAUTION** If your monitor uses a longer screw size other than those included in the kit, DO NOT use the screws provided with the mount. Use the screws provided with your monitor or contact the manufacturer. Using the wrong screws could result in damage to your monitor.

CONTENTS

TOOLS REQUIRED FOR INSTALLATION.....2

GPM-110 TILT MOUNT KIT.....3

Installation Instructions.....4

 Installing the Wall Bracket (Step 1).....4

 OPTION A (Drywall Installation Procedures).....4

 OPTION B (Wall Stud Installation Procedures).....4

 Attaching the VESA Bracket to the Display (Step 2).....5

 Flushed Mount.....5

 Recessed Mount.....5

 Mounting the Display on the Wall Bracket (Step 3).....6

 Locking the Display on the Wall Bracket (Step 4).....6

TOOLS REQUIRED FOR INSTALLATION

- Phillips screwdriver
- Drill and drill bits

NOTE: Other tools may be required depending on your method of installation.

GPM-110 TILT MOUNT KIT

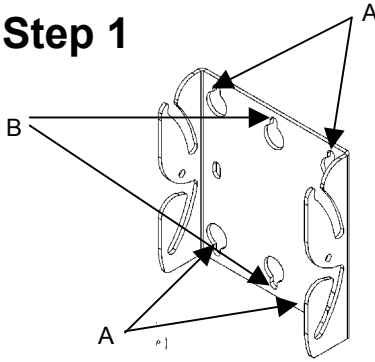
Unpack the carton. Verify the kit contains the contents shown in Table 1. Read installation instructions completely. If you are missing any of the listed components, please contact Customer Service at 1-800/582-6480.

Table 1. GPM-110 Tilt Mount Kit

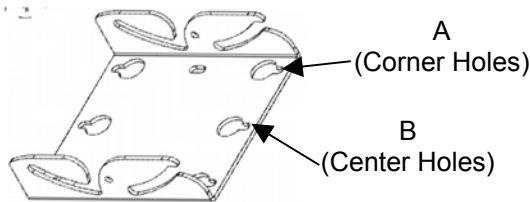
ITEM NUMBER	DESCRIPTION	QTY	NOTES
10	BRKT, VESA INTERFACE	1	
20	BRKT, WALL MOUNT	1	
30	ANCHOR, HOLLOW WALL	4	DRYWALL MOUNTED
40	PHILLIPS HEAD WOOD SCREW, 2-1/2"	2	SINGLE STUD MOUNTED
50	NYLON WASHER	2	TILT ADJUSTMENT
60	PHILLIPS PAN HEAD MACHINE SCREW, M5 x 10MM	2	
70	PHILLIPS PAN HEAD MACHINE SCREW, M4 x 10MM	4	FLUSH MOUNT
80	PHILLIPS PAN HEAD MACHINE SCREW, M4 x 20MM (USE WITH 90) *	4	RECESSED MOUNT
90	3/8" NYLON SPACER	4	
100	PHILLIPS PAN HEAD MACHINE SCREW, M4 x 30MM (USE WITH 110) **	4	
110	3/4" NYLON SPACER	4	

Installation Instructions

Step 1



Installing Wall Bracket – Vertically



Installing Wall Bracket – Horizontally

NOTE: Read the “Important Warnings and Precautions” on Page 2.

Installing the Wall Bracket (Step 1)

The wall bracket can be mounted vertically or horizontally. Mounting the bracket vertically allows you to tilt the display up and down. Mounting the bracket horizontally allows you to pivot the display side-to-side.

To install the wall bracket, perform Option A or Option B as applicable.

OPTION A (Drywall Installation Procedures)

- A. Determine the exact mounting location prior to installation, considering screen size as well as the mount tilt radius.
- B. Position the wall bracket (20) in the vertical position or the horizontal position, as needed.
- C. Using the wall bracket (20) as a template at the desired mounting location, mark the location of the four outer mounting holes.

NOTE: This procedure applies to a minimum drywall thickness of 1/2” inch (12.7 mm).

- D. Using a 3/8-inch drill, drill four pilot holes at the locations marked in Step 1.A.
- E. Install an anchor (30) in one of the pilot holes and tighten anchor bolt until it is fully seated (see Figure 1).
- F. Remove and retain bolt from anchor (30) and repeat Step 1.E and 1.F for three remaining anchors (30).
- G. Using four bolts, with washers installed, secure wall bracket (20) to wall.

OPTION B (Wall Stud Installation Procedures)

- A. Determine the exact mounting location prior to installation, considering screen size as well as the mount swing and extension radius.
- B. Position the wall bracket (20) in the vertical position or the horizontal position, as needed.
- C. Locate stud and, using wall bracket (20) as a template at the desired height, mark the location of the two center mounting holes.
- D. Using the two wood screws (40), secure wall bracket (20) to wall.

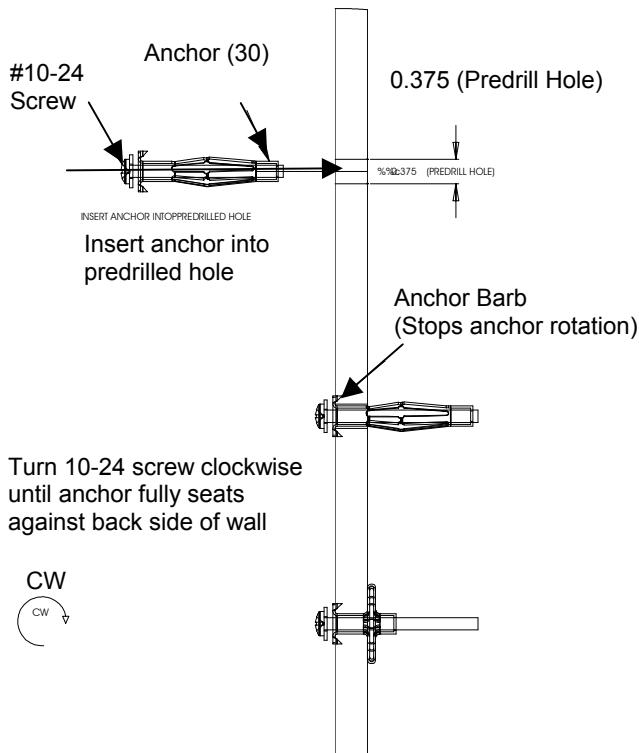


Figure 1. Anchor Installation

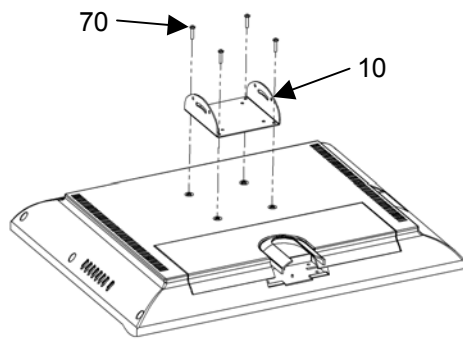
Step 2

Attaching the VESA Bracket to the Display (Step 2)

NOTE: Choose the instructions, listed below, that apply to the type of installation you want.

- Flush Mount Applications do not use spacers. The display is attached to the mount with four screws.
- Recessed Mount Applications use spacers. The display is attached to the mount with four screws and four spacers.

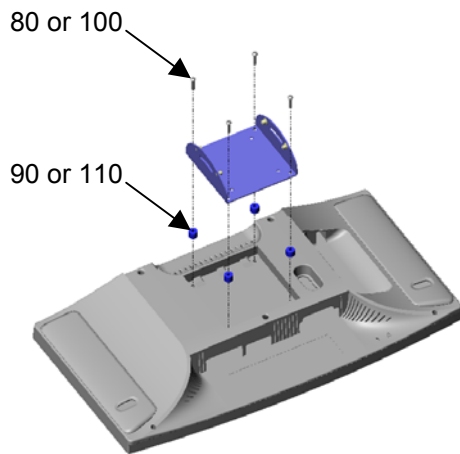
CAUTION: If monitor uses a screw size other than those included in the kit, DO NOT use the screws provided. Using the wrong screws could result in damage to your monitor.



Flushed Mount

Flushed Mount

- Place the VESA bracket (10) on the display.
- Align the hole-pattern of your display with the hole-pattern on the VESA bracket (10).
- Attach VESA bracket (10) to the display using four M4 X 10mm screws (70) provided.



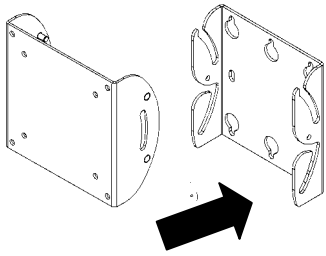
Recessed Mount

Recessed Mount

NOTE: Use one of the following screw and spacer combinations: (80 with 90) or (100 with 110).

- Select four screws (80 or 100) for the Recessed application.
- Select the four spacers (90 or 110) for the Recessed application.
- Set four spacers (90 or 110) over the four mounting holes on your monitor.
- Install four screws (80 or 100) into the top mounting holes of your display.

Step 3

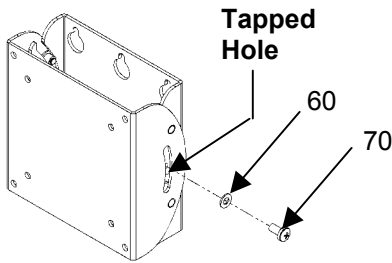


Assemble the Brackets

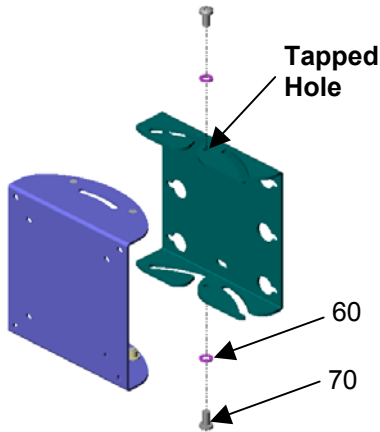
Mounting the Display on the Wall Bracket (Step 3)

- A. With the aid of another person (if necessary), lift the display up to the wall bracket (20) over the four mounting pins.
- B. Align the mounting pins on the display with the slots in the wall bracket (20), and set the display into place.
- C. Verify that the display tilts in the wall bracket (20).
 - For displays that are mounted vertically, tilt the display ± 15 degrees upward and downward.
 - For displays that are mounted horizontally, pivot the display ± 15 degrees from side-to-side.

Step 4



Install the M5 Screw – Vertical Tilt



Install the M5 Screw – Horizontal Pivot

Locking the Display on the Wall Bracket (Step 4)

- A. Assemble a washer (60) over each M5 screw (70). Install the two M5 (70) screw assemblies into the tapped holes located on the side on the wall bracket (20).
- B. Set the display into the desired position. Tighten the M5 screw (70) until friction holds the display stationary.