
INSTALLATION INSTRUCTIONS

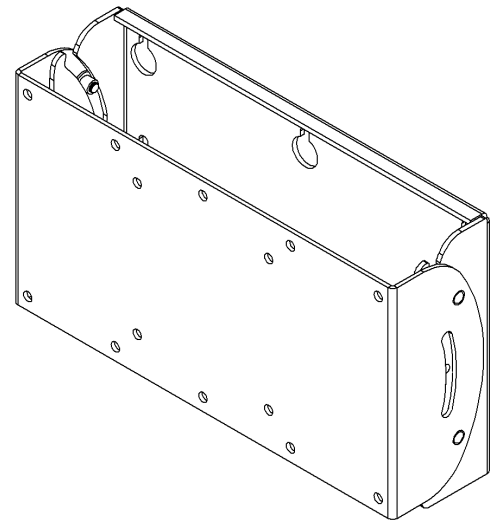
Flat Panel Tilt Wall Mount (GPM-210)

The GPM-210 tilt wall mount fits most 23" to 30" displays.

The GPM-210 is designed to adapt to VESA® 200mm/100mm compliant displays. This mount will also adapt to standard VESA® 75mm/100mm compliant displays.

The GPM-210 allows the user to adjust the viewing angle of the mount ± 15 degrees hand. The maximum load capacity of the GPM-210 is 45 lbs. (20.4kg).

After adjusting the display to the desired angle, the user can lock the mount into a fixed position. The user can easily remove the display from the wall bracket when the mount is unlocked.



GPM-210

BEFORE YOU BEGIN

- **CAUTION:** To prevent damage to your display, which could affect or void the Factory warranty, thoroughly study all instructions and illustrations before you begin to install the mount brackets. Pay particular attention to the "Important Warnings and Cautions" on Page 2.
- If you have any questions about this installation, contact Chief Manufacturing at 1-800-582-6480 or 952-582-6480.

IMPORTANT WARNINGS and CAUTIONS!

- WARNING** **A WARNING alerts you to the possibility of serious injury or death if you do not follow the instructions.**

- CAUTION** **A CAUTION alerts you to the possibility of damage or destruction of equipment if you do not follow the corresponding instructions.**

- WARNING** **Improper installation can result in serious personal injury! Make sure that the mounting surface can support a redundant weight factor *five times* the total weight of the equipment: if not, reinforce the mounting surface structural members before installing the GPM-210.**

- WARNING** **Be aware of the potential for personal injury or damage to the unit if it is not adequately mounted.**

- WARNING** **The installer is responsible for verifying that the mounting surface to which the GPM-210 is anchored will safely support the combined load of all attached components or other equipment.**

- WARNING** **The combined weight of the display placed on the GPM-210 must not exceed 45 lbs. (20.4kg), the maximum load capacity of the mount.**

- WARNING** **Watch for pinch points. Do not put your fingers between movable parts.**

- WARNING** **Make sure the mount is correctly oriented.**

- CAUTION** **Check the unit for shipping damage before you begin the installation.**

- CAUTION** **If your monitor uses a longer screw size other than those included in the kit, DO NOT use the screws provided with the mount. Use the screws provided with your monitor or contact the manufacturer. Using the wrong screws could result in damage to your monitor.**

CONTENTS

GPM-210 TILT MOUNT KIT	3
Installing the Wall Bracket (Step 1)	4
OPTION A (Drywall Installation Procedures).....	4
OPTION B (Wall Stud Installation Procedures)	5
Attaching the VESA Bracket to the Display (Step 2) ..	6
Flushed Mount	6
Recessed Mount	7
Mounting the Display on the Wall Bracket (Step 3)....	8
Locking the Display on the Wall Bracket (Step 4)	8

TOOLS REQUIRED FOR INSTALLATION

- Phillips screwdriver

- Drill and drill bits

NOTE: Other tools may be required depending on your method of installation.

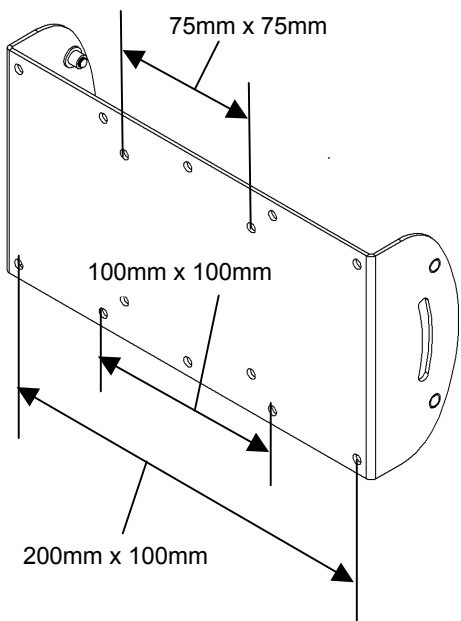
GPM-210 TILT MOUNT KIT

Unpack the carton. Verify the kit contents shown in Table 1. Read installation instructions completely. If you are missing any of the listed components, please contact Customer Service at 1-800/582-6480.

Table 1. GPM-210 Tilt Mount Kit

ITEM NUMBER	DESCRIPTION	QTY	NOTES
10	BRKT, VESA TILT INTERFACE	1	
20	BRKT, WALL TILT MOUNT	1	
30	ANCHOR, HOLLOW WALL	6	DRYWALL MOUNTED
40	PHILLIPS HEAD WOOD SCREW, 2-1/2"	2	SINGLE STUD MOUNTED
50	NYLON WASHER	2	TILT ADJUSTMENT
60	PHILLIPS PAN HEAD MACHINE SCREW, M5 X 10MM	2	
70	PHILLIPS PAN HEAD MACHINE SCREW, M4 X 12MM	6	FLUSH MOUNT
80	PHILLIPS PAN HEAD MACHINE SCREW, M4 X 20MM (USE WITH 90 OR 120) *	6	RECESSED MOUNT
90	3/8" NYLON SPACER	6	
100	PHILLIPS PAN HEAD MACHINE SCREW, M4 X 30MM (USE WITH 110) **	6	
110	3/4" NYLON SPACER	6	
120	1/8" NYLON SPACER (USE WITH 90) ***	6	

- *Use M4 x 20mm screws (80) with spacers (90) for recessed mount applications.
- **Use M4 x 30mm screws (100) with spacers (110) for recessed mount applications.
- ***Use M4 x 20mm screws (80) with spacers (120) for recessed mount applications.



VESA CHART

VESA HOLE PATTERN	4-HOLE	6-HOLE	FLUSH MOUNT	RECESSED MOUNT
75MM X 75MM	X		X	X
100MM X 100MM	X		X	X
200MM X 100MM		X	X	X

NOTE: Read the “Warnings and Cautions” on Page 2.

Installing the Wall Bracket (Step 1)

To install the wall bracket, perform Option A or Option B as applicable.

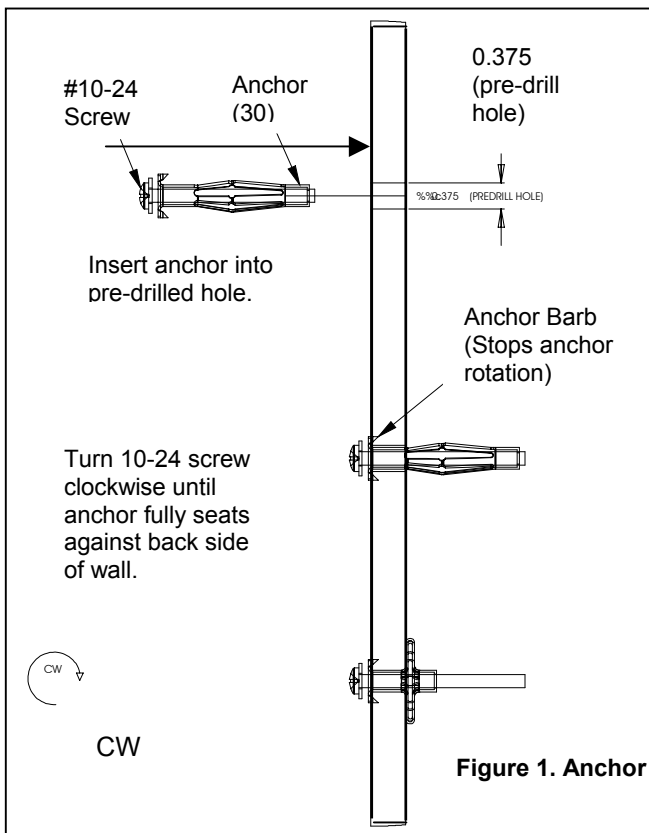
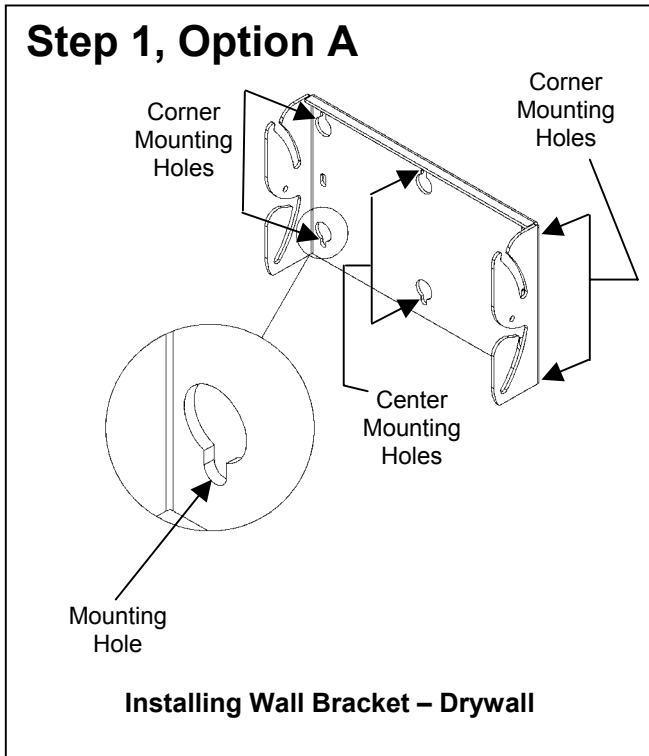
OPTION A (Drywall Installation Procedures)

- A. Determine the exact mounting location prior to installation, considering screen size as well as the mount tilt radius.
- B. Position the wall bracket (20) as desired.
- C. Using the wall bracket (20) as a template at the desired mounting location, mark the location of the four corner mounting holes and two center holes.

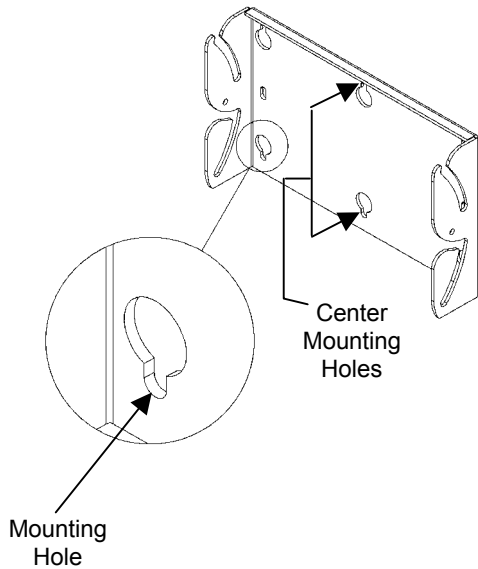
NOTE: This procedure applies to a minimum drywall thickness of ½ inch (12.7 mm).

NOTE: Mark the pilot holes as accurately as possible before drilling the holes. The holes must be centered for the wall bracket to fit correctly on the wall.

- D. Using a 3/8-inch drill, drill six pilot holes at the locations marked in Step 1, Option A.
- E. Install an anchor (30) in one of the pilot holes and tighten anchor bolt until it is fully seated (see Figure 1).
- F. Remove and retain bolt from anchor (30) and repeat Step E and F for five remaining anchors (30).
- G. Using six bolts, with washers installed, secure wall bracket (20) to wall.



Step 1, Option B



Installing Wall Bracket – Wall Stud

NOTE: Read the “Warnings and Cautions” on Page 2.

OPTION B (Wall Stud Installation Procedures)

- A. Determine the exact mounting location prior to installation, considering screen size as well as the mount swing and extension radius.
- B. Position the wall bracket (20) as desired.

NOTE: Mark the mounting holes as accurately as possible before drilling the holes. The holes must be centered for the wall bracket to fit correctly on the wall.

- C. Locate stud and, using wall bracket (20) as a template at the desired height, mark the location of the two center mounting holes.
- D. Using the two wood screws (40), secure wall bracket (20) to wall.

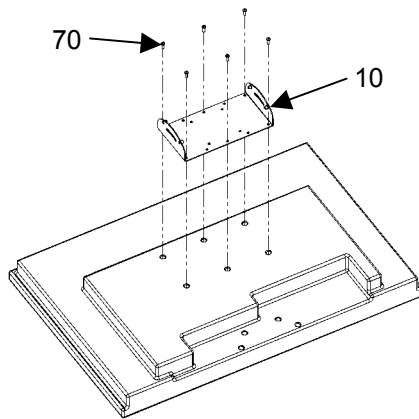
Step 2

Attaching the VESA Bracket to the Display (Step 2)

NOTE: Choose the instructions, listed below, that apply to the type of installation you want.

- Flush Mount Applications do not use spacers. The display is attached to the mount with six screws.
- Recessed Mount Applications use spacers. The display is attached to the mount with six screws and four spacers. For the procedure, refer to page 7.

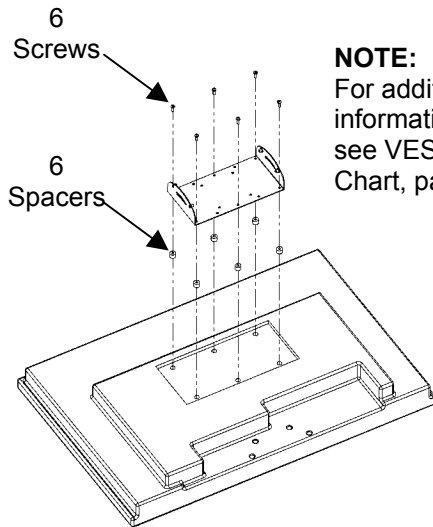
CAUTION: If monitor uses a screw size other than those included in the kit, **DO NOT** use the screws provided. Using the wrong screws could result in damage to your monitor.



Flushed Mount

Flushed Mount

- A. Place the VESA bracket (10) on the display.
- B. Align the hole-pattern of your display with the hole-pattern on the VESA bracket (10).
- C. Attach VESA bracket (10) to the display using six M4 X 10mm screws (70) provided.



NOTE:
For additional information, see VESA Chart, page 3

Recessed Mount

Recessed Mount

NOTE: Select option 1, 2, or 3 to pick the applicable screw and spacer combination.

- Refer to Table 2 for 200mm/100mm compliant displays.
 - Refer to Table 3 for 75mm/100mm compliant displays.
- A. Select six screws for the Recessed application.
 - B. Select six spacers for the Recessed application.
 - C. Set six spacers over the four mounting holes on your monitor.
 - D. Set VESA interface bracket (10) on top of spacers and install six screws into the mounting holes of your display.

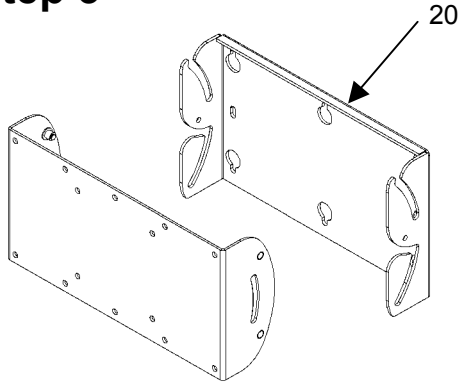
Table 2. 200mm/100mm Compliant Displays

OPTION	SCREW	QTY	SPACER	QTY
1	80	6	90	6
2	100	6	110	6
3	80	6	120	6

Table 3. 75mm/100mm Compliant Displays

OPTION	SCREW	QTY	SPACER	QTY
1	80	4	90	4
2	100	4	110	4
3	80	4	120	4

Step 3

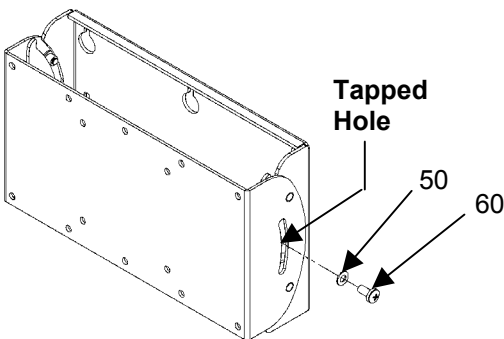


Assemble the Brackets

Mounting the Display on the Wall Bracket (Step 3)

- A. With an assistant (if necessary), lift the display up to the wall bracket (20) over the four mounting pins.
- B. Align the mounting pins on the display with the slots in the wall bracket (20), and set the display into place.
- C. Verify that the display tilts on the wall bracket (20).

Step 4



Install the M5 Screw

Locking the Display on the Wall Bracket (Step 4)

- A. Assemble a washer (50) over each M5 screw (60). Install the two M5 (60) screw assemblies into the tapped holes located on the side of the wall bracket (20).
- B. Set the display into the desired position. Tighten the M5 screw (60) until friction holds the display stationary.