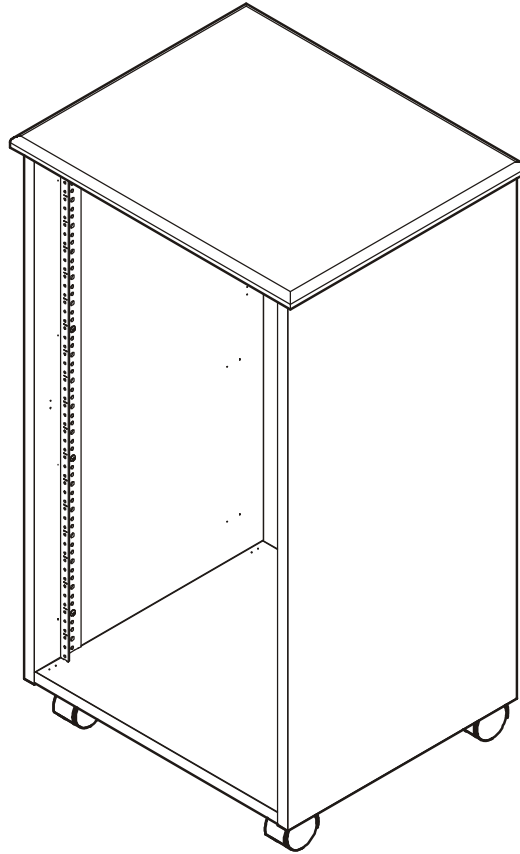


INSTALLATION INSTRUCTIONS



Graphite Series Racks

 **CHIEF**[®] GRF12-18 / GRF20-18
raXess series

DISCLAIMER

Milestone AV Technologies and its affiliated corporations and subsidiaries (collectively "Milestone"), intend to make this manual accurate and complete. However, Milestone makes no claim that the information contained herein covers all details, conditions or variations, nor does it provide for every possible contingency in connection with the installation or use of this product. The information contained in this document is subject to change without notice or obligation of any kind. Milestone makes no representation of warranty, expressed or implied, regarding the information contained herein. Milestone assumes no responsibility for accuracy, completeness or sufficiency of the information contained in this document.

Chief® is a registered trademark of Milestone AV Technologies. All rights reserved.

! IMPORTANT WARNINGS AND CAUTIONS!

! WARNING: A WARNING alerts you to the possibility of serious injury or death if you do not follow the instructions.

! CAUTION: A CAUTION alerts you to the possibility of damage or destruction of equipment if you do not follow the corresponding instructions.

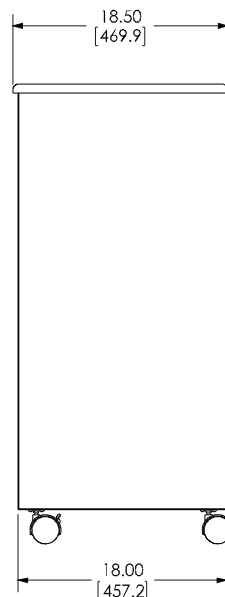
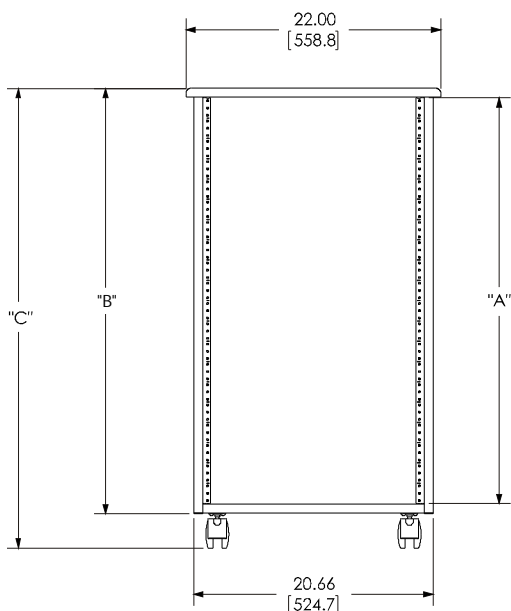
! WARNING: Failure to read, thoroughly understand, and follow all instructions can result in serious personal injury, damage to equipment, or voiding of factory warranty! It is the installer's responsibility to make sure all components are properly assembled and installed using the instructions provided.

! WARNING: Exceeding the weight capacity can result in serious personal injury or damage to equipment! It is the installer's responsibility to make sure the combined weight of all components located within the rack does not exceed 50 lbs (22.7 kg). Use with products heavier than the maximum weight indicated may result in instability or collapse of the rack causing possible injury.

IMPORTANT ! : Minimum spacings between the Accessories and components and the (ITC/AV) Rack Enclosure shall be maintained for safe operation of the equipment when installed in accordance with the National Electric Code, ANSI/NFPA 70-2008. Operating temperature inside rack shall not exceed 104° F.

DIMENSIONS



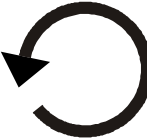

MODEL NUMBER	"A"	"B"	"C"	USABLE DEPTH
GRF-12-18	12U	22.69 [576.3 mm]	25.64 [651.3 mm]	16.00 [406.4 mm]
GRF-20-18	20U	36.69 [931.9 mm]	39.64 [1007.0 mm]	16.00 [406.4 mm]



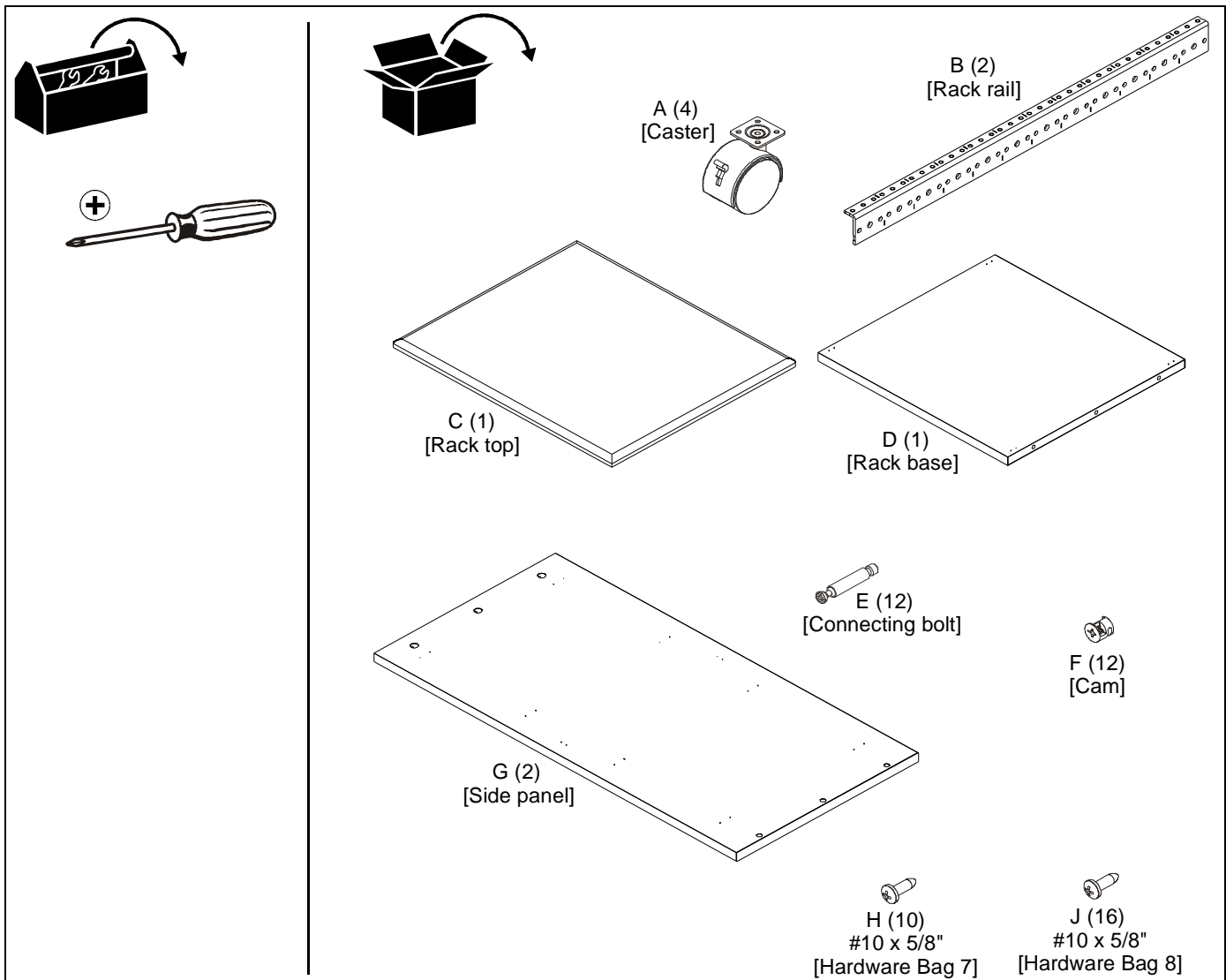
MODEL GRF-20-18 SHOWN

DIMENSIONS: INCHES
[MILLIMETERS]

LEGEND

	Tighten Fastener		Open-Ended Wrench
	Apretar elemento de fijación		Llave de boca
	Befestigungsteil festziehen		Gabelschlüssel
	Apertar fixador		Chave de bocas
	Serrare il fissaggio		Chiave a punte aperte
	Bevestiging vastdraaien		Steeksleutel
Serrez les fixations	Clé à fourche		
	Loosen Fastener		Phillips Screwdriver
	Aflojar elemento de fijación		Destornillador Phillips
	Befestigungsteil lösen		Kreuzschlitzschraubendreher
	Desapertar fixador		Chave de fendas Phillips
	Allentare il fissaggio		Cacciavite a stella
	Bevestiging losdraaien		Kruiskopschroevendraaier
Desserrez les fixations	Tournevis à pointe cruciforme		

TOOLS REQUIRED AND PARTS INCLUDED



ASSEMBLY

1. Insert cams (F) into top of both side panels (G).
IMPORTANT ! : Insert the cams with direction arrow pointing to holes for mating fasteners. (See Figure 1)

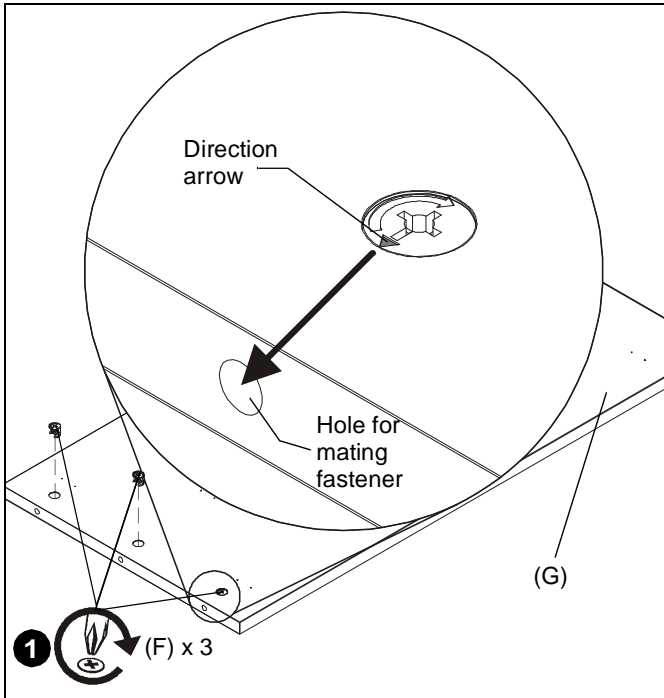


Figure 1

2. Add one rack rail (B) to front pilot holes of each side panel (G) using #10 x 5/8" wood screws (H). (See Figure 2)

NOTE: Not all screws may be used dependent on rack size.

NOTE: Insert screws through larger holes on the rack rail, and ensure the narrow edge of rack rail is facing the front of GRF rack. (See Figure 2)

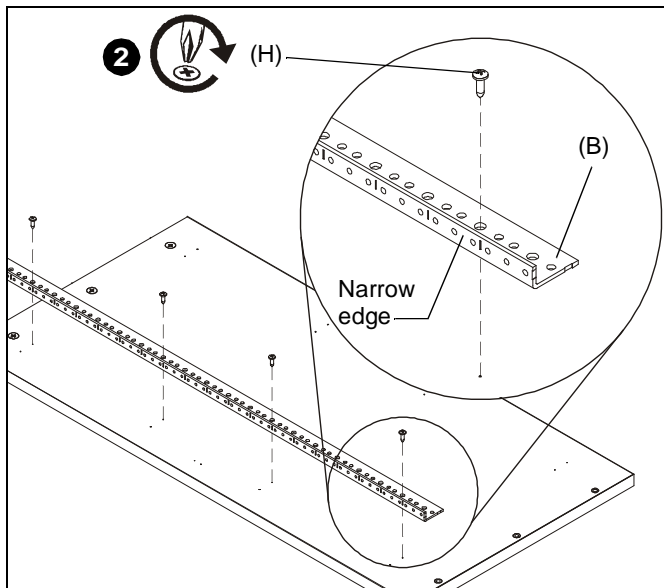


Figure 2

3. Add three connecting bolts (E) to lower inside of each side panel (G). (See Figure 3)

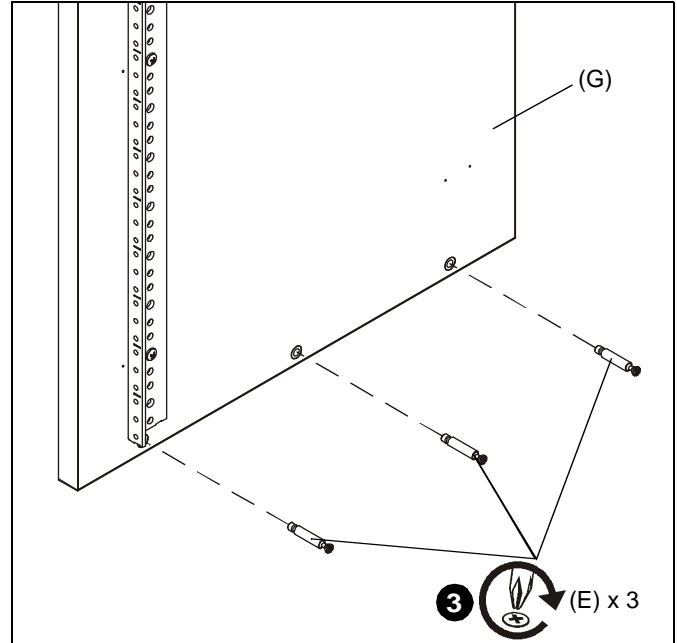


Figure 3

4. Add six cams (F) into bottom of rack base (D). (See Figure 4)

IMPORTANT ! : Insert the cams with direction arrow pointing to holes for mating fasteners. (See Figure 4)

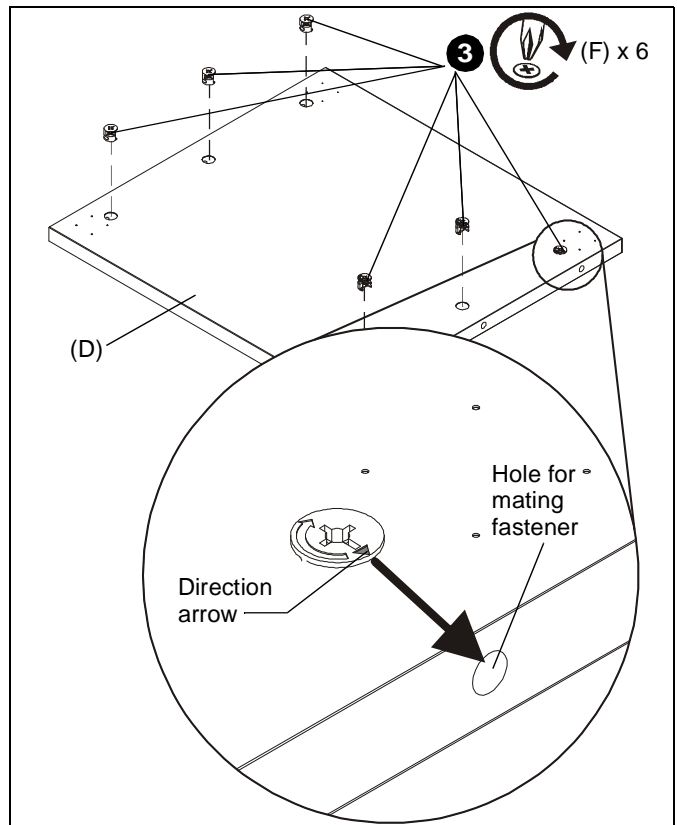


Figure 4

- Attach four casters (A) to bottom of rack base using four #10 x 5/8" wood screws (J) in each caster. (See Figure 5)

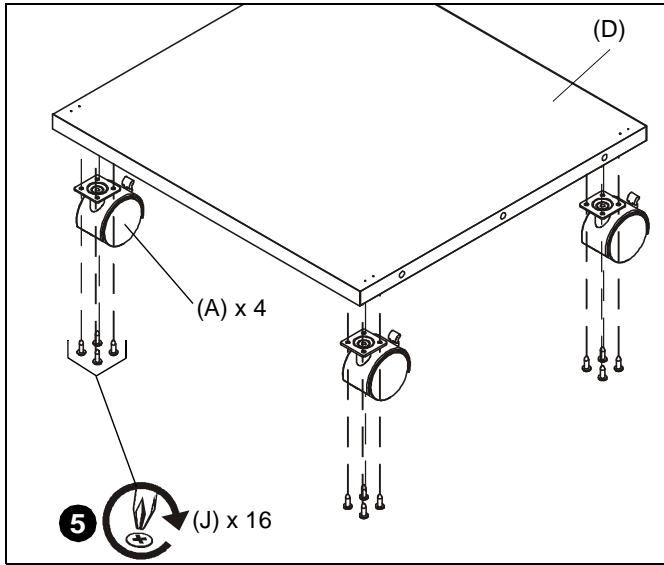


Figure 5

- Connect rack base to side panels. (See Figure 6)
- Insert Phillips screwdriver into the cams (in bottom of rack base) and turn 1/2 turn (following arrow on cam) to fasten the rack base to two side panels. (See Figure 6)

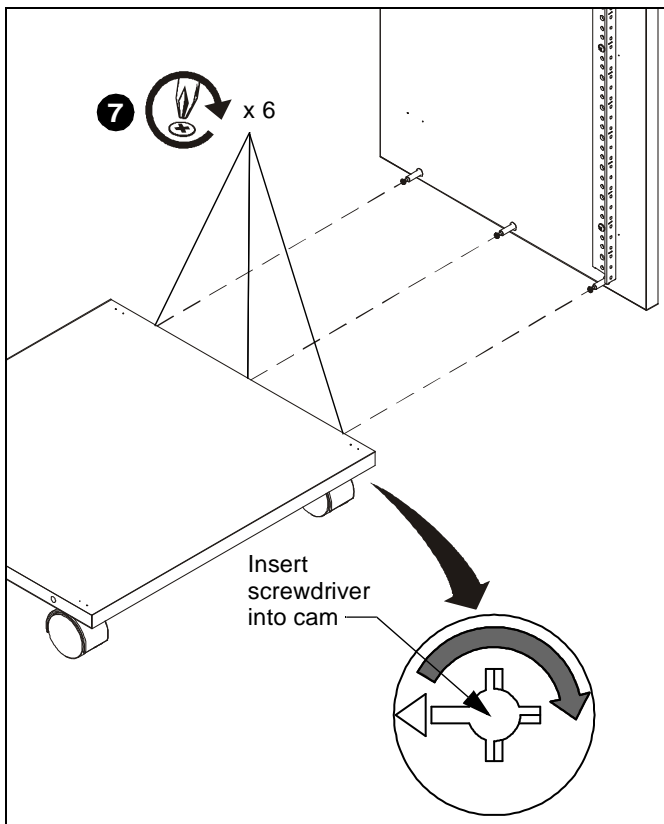


Figure 6

- Screw six connecting bolts (E) into bottom of rack top (C). (See Figure 7)

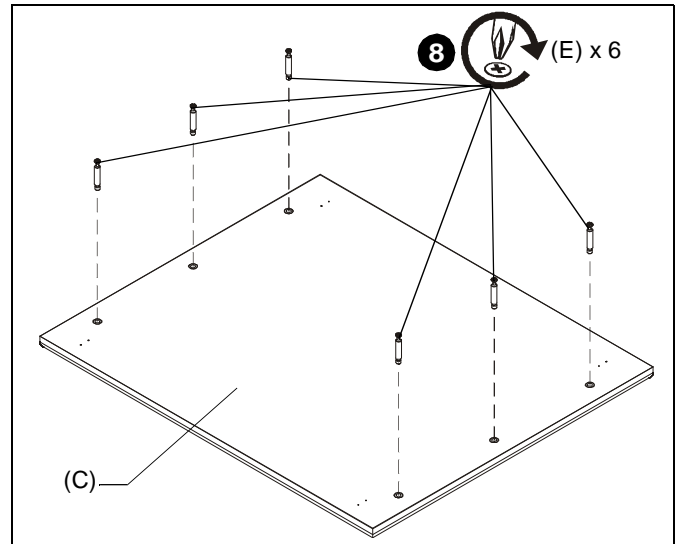


Figure 7

- Place rack top (C) onto side panels, inserting connecting bolts from rack top into tops of both side panels.
- Insert Phillips screwdriver into the cams (in side panels) and turn 1/2 turn (following arrow on cam) to fasten the rack top to two side panels. (See Figure 8)

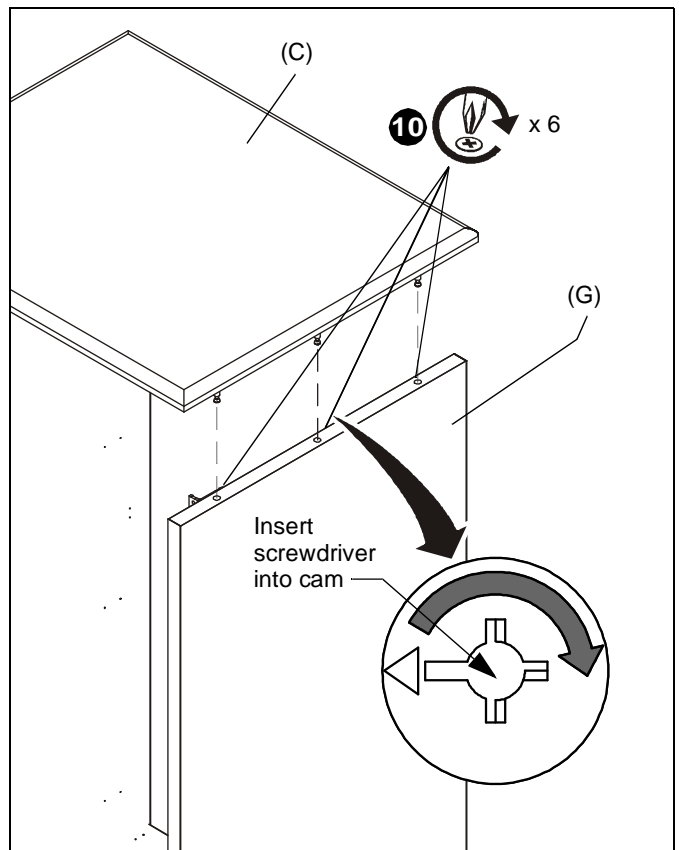


Figure 8

LOADING THE RACK

Load Distribution



CAUTION: BEGIN PLACEMENT OF LOAD AT BOTTOM OF RACK! Load rack, moving from bottom toward top of rack. Loading rack incorrectly may result in instability causing possibly injury and/or damage to components.

1. Begin placement of components into the rack at the lowest point.
2. Continue placing items into the rack, moving from the bottom upward.



CAUTION: DISTRIBUTE LOAD CORRECTLY! Load rack with 2/3 total weight of components in the lower half of rack. Loading rack incorrectly may result in instability causing possible injury and/or damage to components.



Chief Manufacturing, a products division
of Milestone AV Technologies

8821-002034 Rev00
©2011 Milestone AV Technologies, a
Duchossois Group Company
www.chiefmfg.com
04/11

USA/International	A 8401 Eagle Creek Parkway, Savage, MN 55378 P 800.582.6480 / 952.894.6280 F 877.894.6918 / 952.894.6918
Europe	A Fellenoord 130 5611 ZB EINDHOVEN, The Netherlands P +31 (0)40 2668620 F +31 (0)40 2668615
Asia Pacific	A Office No. 1 on 12/F, Shatin Galleria 18-24 Shan Mei Street Fotan, Shatin, Hong Kong P 852 2145 4099 F 852 2145 4477

