



ASSEMBLY INSTRUCTIONS FOR GRF-WS

PARTS:

- 1 - MODESTY PANEL
- 2 - SIDES (LEFT & RIGHT)
- 1 - TABLE TOP
- 1 - PANEL SUPPORT
- 1 - KEYBOARD SHELF
- 1 - KEYBOARD SHELF SLIDE KIT

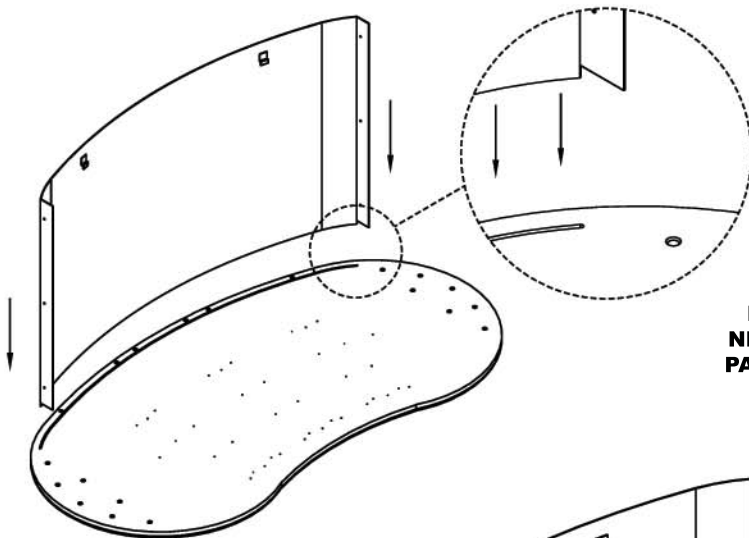
HARDWARE:

- 4 - LEVELERS
- 8 - 10-32 SCREWS
- 14 - 1/4-20 SCREWS

TOOLS NEEDED: PHILLIPS SCREWDRIVER

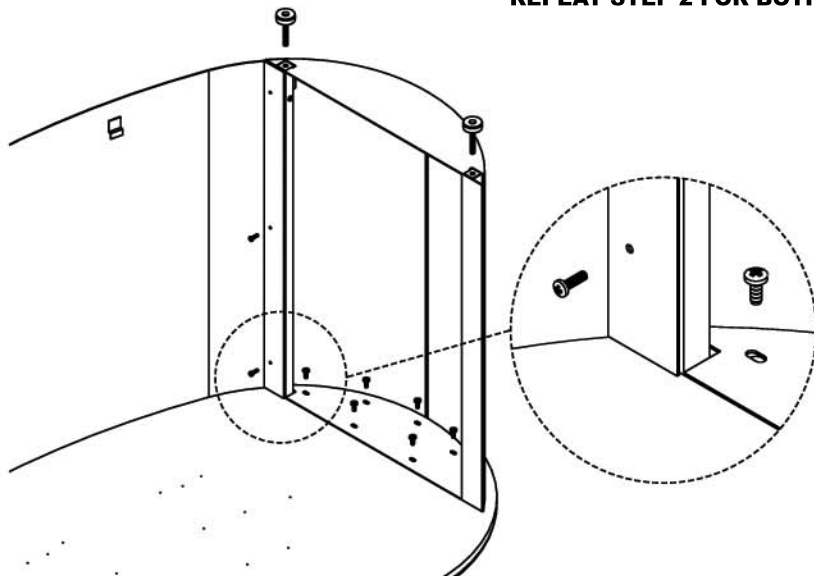
STEP 1.

FLEX MODESTY PANEL AND SLIDE EDGE INTO SLOT.
MAKE SURE FLANGE IS FACING TOWARDS THE CENTER
OF THE PIECE AND NOT TOWARDS THE EDGE.



STEP 2.

INSTALL LEVELERS INTO THE BOTTOM OF THE SIDES.
NEXT USING THE 10-32 SCREWS MOUNT THE MODESTY
PANEL TO THE SIDES. THEN USING THE 1/4-20 SCREWS
MOUNT THE SIDES TO THE TABLE TOP.
REPEAT STEP 2 FOR BOTH SIDES

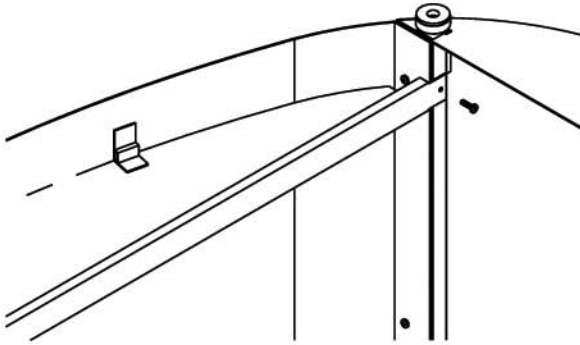




CONTINUED ASSEMBLY INSTRUCTIONS FOR GRF-WS

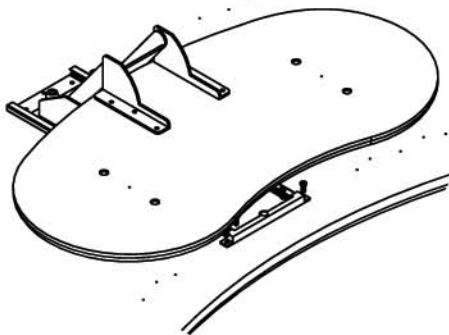
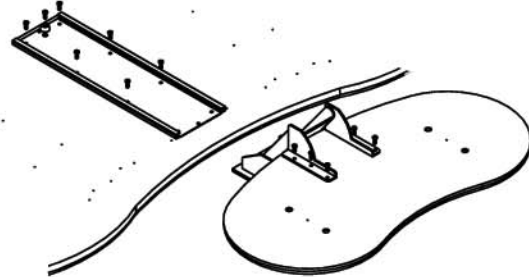
STEP 3.

INSTALL THE PANEL SUPPORT BY USING THE 10-32 SCREWS.
FIRST PLACE TABS INTO CLIPS LOCATED ON THE MODESTY PANEL.
THEN INSTALL SCREW AS SHOWN BELOW.



STEP 4.

INSTALL KEYBOARD TRAY FIRST. YOU MUST THEN DECIDE IF YOU
WOULD LIKE THE KEYBOARD TO PULL STRAIGHT OUT OR PULL
OUT ON AN ANGLE. SELECT THE LOCATION AND INSTALL BASE
USING THE SCREWS THAT COME IN THE KIT.



STEP 5.

SLIDE KEYBOARD BRACKET INTO BASE AND INSTALL PLASTIC STOP
TO THE FRONT OF THE BASE.