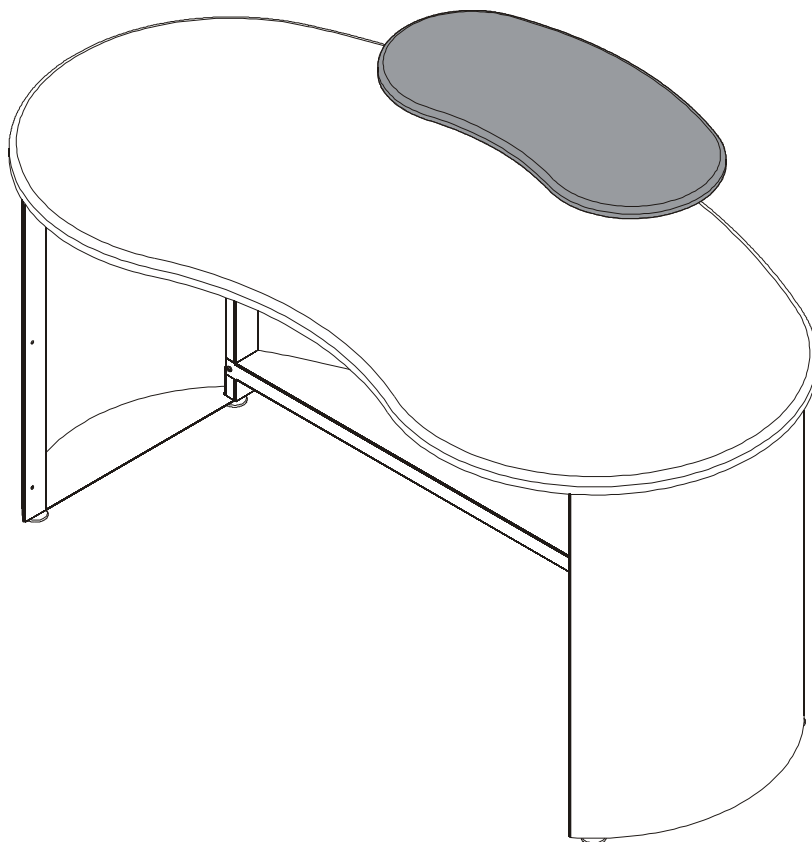

INSTALLATION INSTRUCTIONS



GRFWS Shelf

DISCLAIMER

Milestone AV Technologies and its affiliated corporations and subsidiaries (collectively "Milestone"), intend to make this manual accurate and complete. However, Milestone makes no claim that the information contained herein covers all details, conditions or variations, nor does it provide for every possible contingency in connection with the installation or use of this product. The information contained in this document is subject to change without notice or obligation of any kind. Milestone makes no representation of warranty, expressed or implied, regarding the information contained herein. Milestone assumes no responsibility for accuracy, completeness or sufficiency of the information contained in this document.

Chief® is a registered trademark of Milestone AV Technologies. All rights reserved.



IMPORTANT SAFETY INSTRUCTIONS!



WARNING: A WARNING alerts you to the possibility of serious injury or death if you do not follow the instructions.



CAUTION: A CAUTION alerts you to the possibility of damage or destruction of equipment if you do not follow the corresponding instructions.



WARNING: Failure to read, thoroughly understand, and follow all instructions can result in serious personal injury, damage to equipment, or voiding of factory warranty! It is the installer's responsibility to make sure all components are properly assembled and installed using the instructions provided.



WARNING: Exceeding the weight capacity can result in serious personal injury or damage to equipment! It is the installer's responsibility to make sure the combined weight of all components located on the GRFWS-RB shelf does not exceed 20 lbs (9.07 kg).



WARNING: Use this mounting system only for its intended use as described in these instructions. Do not use attachments not recommended by the manufacturer.



WARNING: Never operate this mounting system if it is damaged. Return the mounting system to a service center for examination and repair.



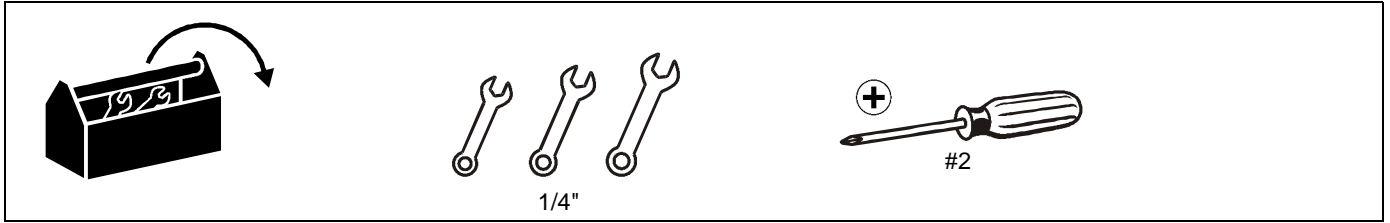
WARNING: Do not use this product outdoors.

--SAVE THESE INSTRUCTIONS--

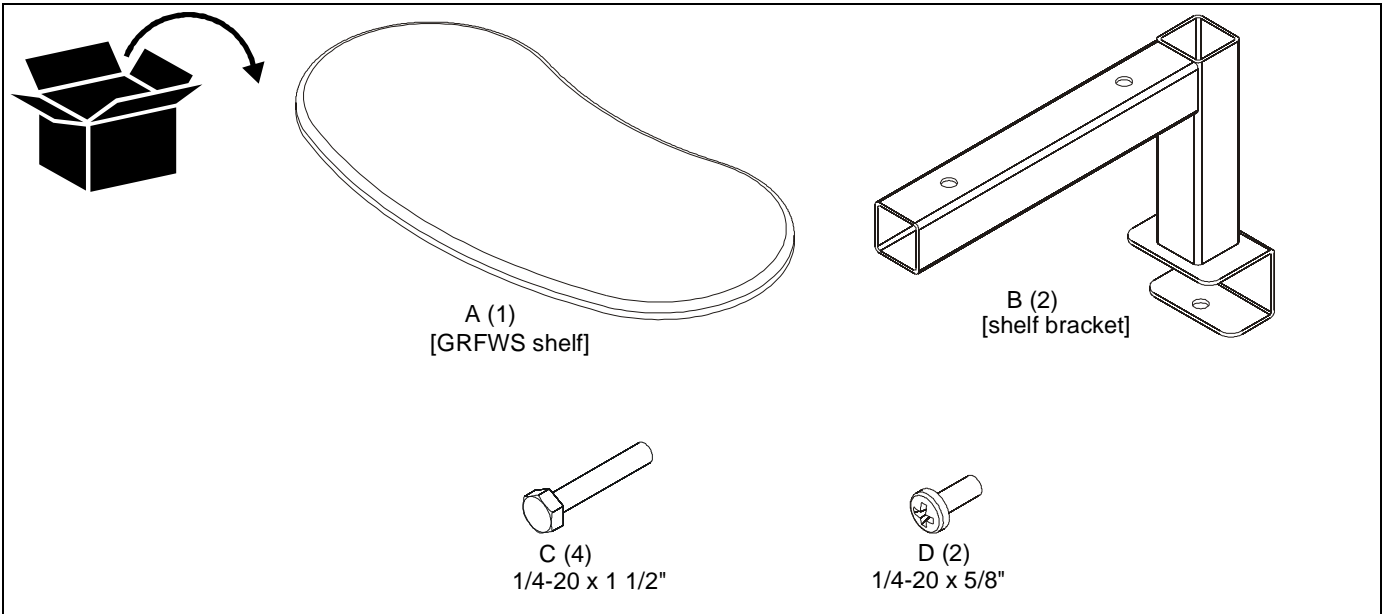
LEGEND

	Tighten Fastener		Open-Ended Wrench
	Apretar elemento de fijación		Llave de boca
	Befestigungsteil festziehen		Gabelschlüssel
	Apertar fixador		Chave de bocas
	Serrare il fissaggio		Chiave a punta aperte
	Bevestiging vastdraaien		Steeksleutel
Serrez les fixations	Clé à fourche		
	Loosen Fastener		Phillips Screwdriver
	Aflojar elemento de fijación		Destornillador Phillips
	Befestigungsteil lösen		Kreuzschlitzschraubendreher
	Desapertar fixador		Chave de fendas Phillips
	Allentare il fissaggio		Cacciavite a stella
	Bevestiging losdraaien		Kruiskopschroevendraaier
Desserrez les fixations	Tournevis à pointe cruciforme		

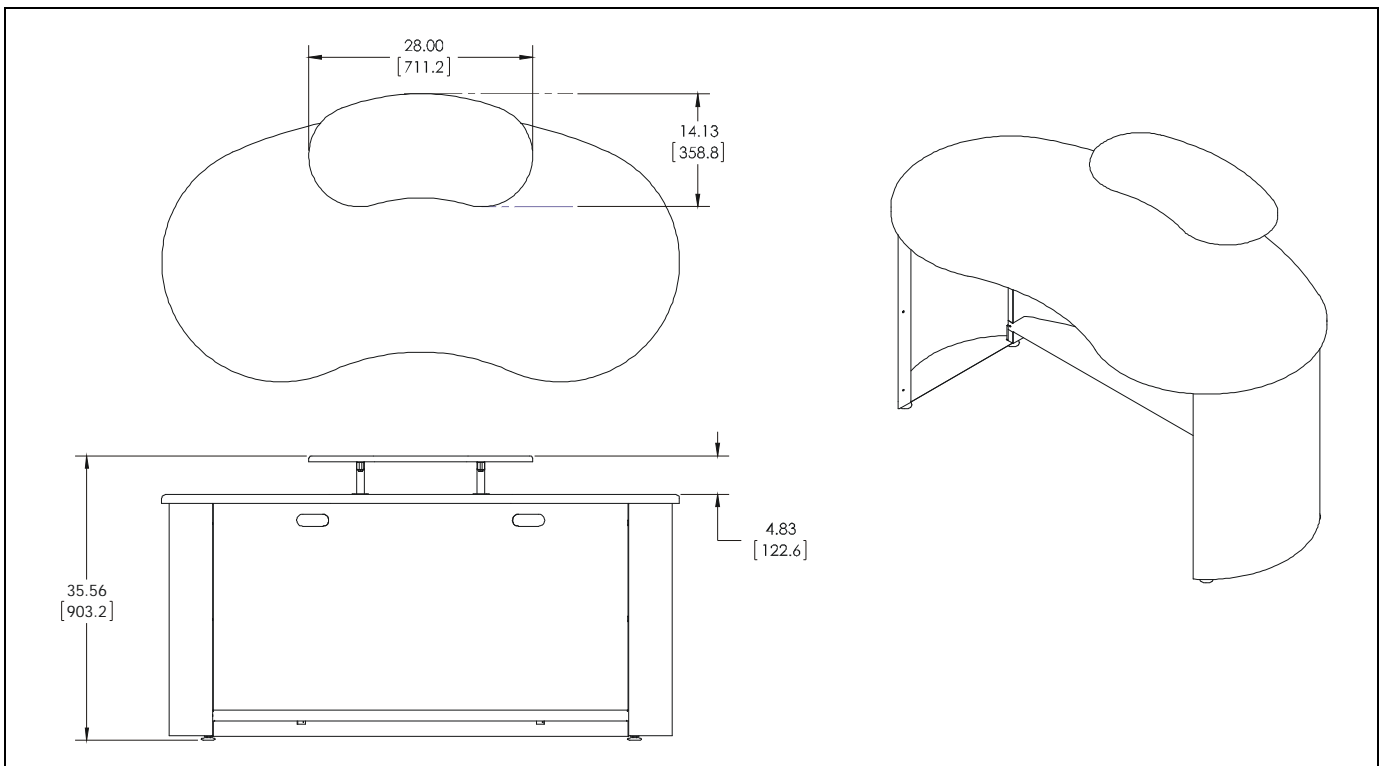
TOOLS REQUIRED FOR INSTALLATION



PARTS



DIMENSIONS



ASSEMBLY

IMPORTANT ! : The following installation instructions assume the GRFWS workplace station has already been completely assembled. Complete GRFWS assembly following GRFWS installation instructions prior to installing the GRFWS-RB shelf.

IMPORTANT ! : The GRFWS-RB was designed specifically to be installed to the GRFWS workplace station. Do NOT attempt to install this shelf to any other desk.

1. Determine desired mounting location on GRFWS workplace station. The GRFWS-RB shelf may be mounted in three different locations at the back of the desk. (See Figure 1)
2. Place two shelf brackets (B) over mounting holes at desired mounting location. (See Figure 1)
3. Use two 1/4-20 x 5/8" Phillips pan machine screws (D) to secure brackets to back of desk. (See Figure 1)

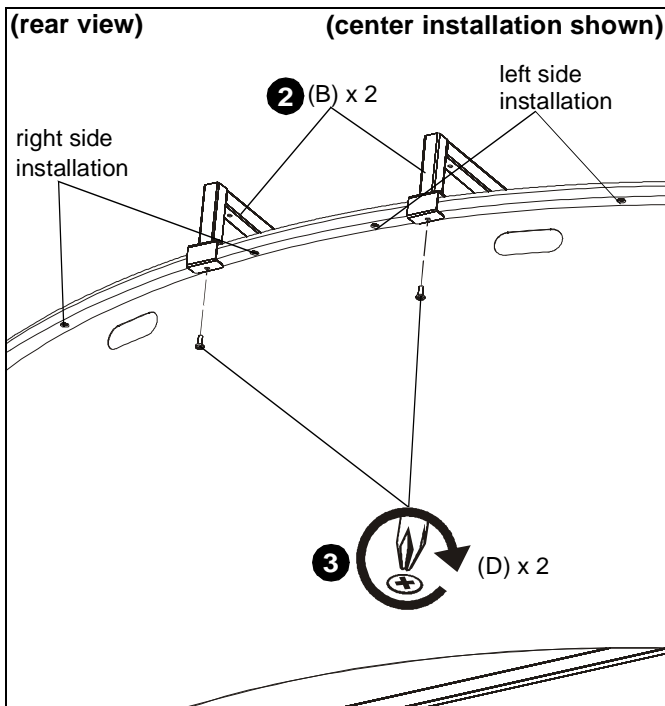


Figure 1

4. Place GRFWS-RB shelf (A) on top of brackets (B), centering the shelf over the four bolt holes on the two brackets. (See Figure 2)
5. Use four 1/4-20 x 1 1/2" hex head bolts (C) to secure shelf (A) to brackets (B). (See Figure 2)

NOTE: There are no predrilled holes on shelf so it is important that shelf is properly centered when screws are being installed into shelf.

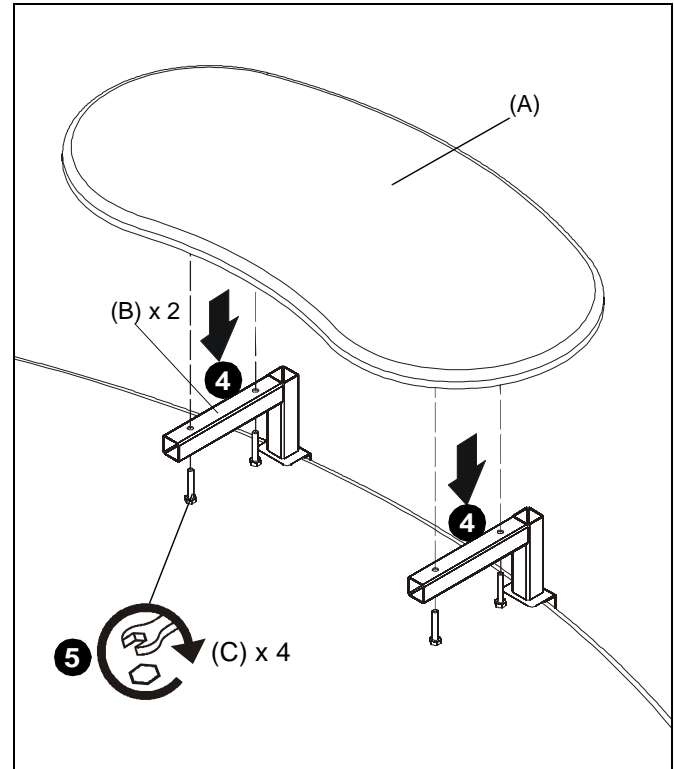


Figure 2

WARNING: Exceeding the weight capacity can result in serious personal injury or damage to equipment! It is the installer's responsibility to make sure the combined weight of all components located on the GRFWS-RB shelf does not exceed 20 lbs (9.07 kg).

6. Place monitor and/or components on shelf as desired.



Our Mounts. **Your Vision.**

Chief Manufacturing, a products division
of Milestone AV Technologies

8800-002230 Rev00
©2012 Milestone AV Technologies, a
Duchossois Group Company
www.chiefmfg.com
10/12

USA/International	A 6436 City West Parkway, Eden Prairie, MN 55344 P 800.582.6480 / 952.225.6000 F 877.894.6918 / 952.894.6918
Europe	A Franklinstraat 14, 6003 DK Weert, Netherlands P +31 (0) 495 580 852 F +31 (0) 495 580 845
Asia Pacific	A Office No. 1 on 12/F, Shatin Galleria 18-24 Shan Mei Street Fotan, Shatin, Hong Kong P 852 2145 4099 F 852 2145 4477

