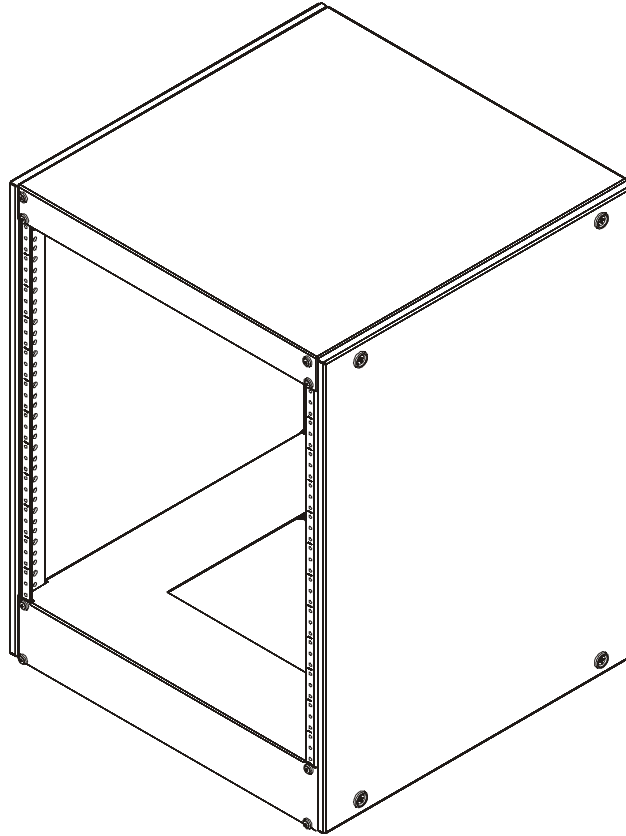

INSTALLATION INSTRUCTIONS



GRFWS Under Counter Rack

DISCLAIMER

Milestone AV Technologies and its affiliated corporations and subsidiaries (collectively "Milestone"), intend to make this manual accurate and complete. However, Milestone makes no claim that the information contained herein covers all details, conditions or variations, nor does it provide for every possible contingency in connection with the installation or use of this product. The information contained in this document is subject to change without notice or obligation of any kind. Milestone makes no representation of warranty, expressed or implied, regarding the information contained herein. Milestone assumes no responsibility for accuracy, completeness or sufficiency of the information contained in this document.

Chief® is a registered trademark of Milestone AV Technologies. All rights reserved.

IMPORTANT ! : Minimum spacings between the Accessories and components and the (ITC/AV) Rack Enclosure shall be maintained for safe operation of the equipment when installed in accordance with the National Electric Code, ANSI/NFPA 70-2008. Operating temperature inside rack shall not exceed 104° F.

--SAVE THESE INSTRUCTIONS--



IMPORTANT SAFETY INSTRUCTIONS!



WARNING: A WARNING alerts you to the possibility of serious injury or death if you do not follow the instructions.



CAUTION: A CAUTION alerts you to the possibility of damage or destruction of equipment if you do not follow the corresponding instructions.



WARNING: Failure to read, thoroughly understand, and follow all instructions can result in serious personal injury, damage to equipment, or voiding of factory warranty! It is the installer's responsibility to make sure all components are properly assembled and installed using the instructions provided.



WARNING: Use this mounting system only for its intended use as described in these instructions. Do not use attachments not recommended by the manufacturer.



WARNING: Never operate this mounting system if it is damaged. Return the mounting system to a service center for examination and repair.



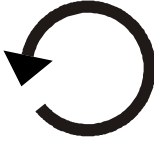



WARNING: Do not use this product outdoors.

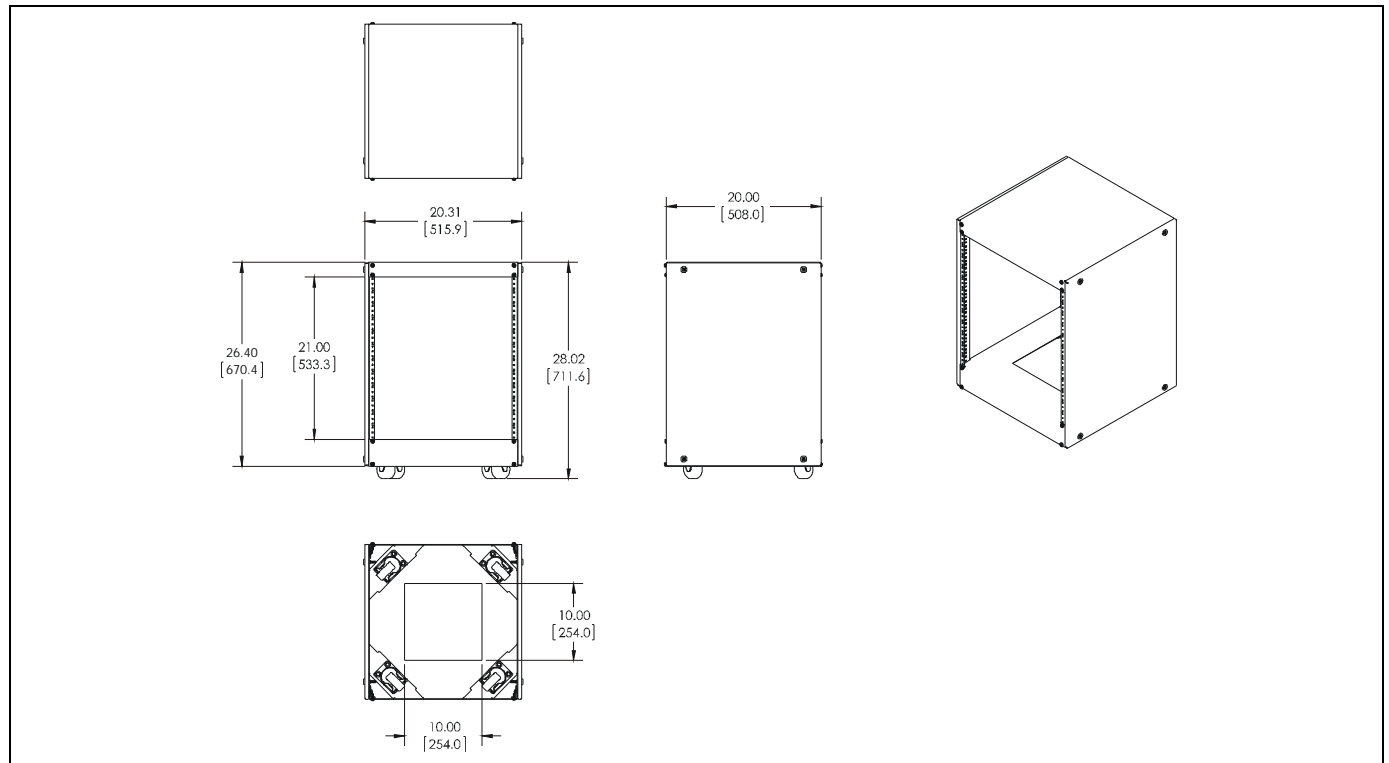


WARNING: Exceeding the weight capacity can result in serious personal injury or damage to equipment! It is the installer's responsibility to make sure the combined weight of all components located within the rack does not exceed 250 lbs (113.4 kg)*. Use with products heavier than the maximum weight indicated may result in instability or collapse of the rack causing possible injury.

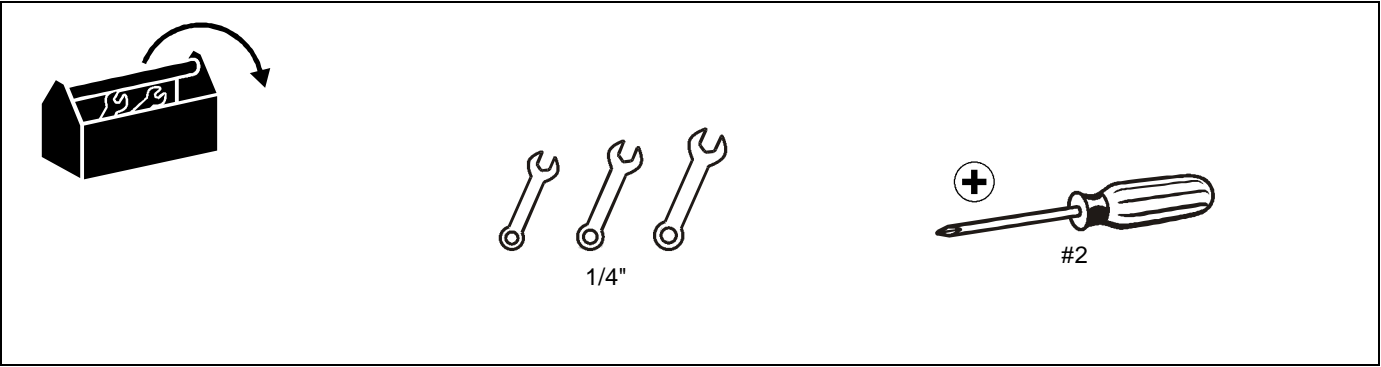
LEGEND

	Tighten Fastener		Open-Ended Wrench
	Apretar elemento de fijación		Llave de boca
	Befestigungsteil festziehen		Gabelschlüssel
	Apertar fixador		Chave de bocas
	Serrare il fissaggio		Chiave a punte aperte
	Bevestiging vastdraaien		Steeksleutel
Serrez les fixations	Clé à fourche		
	Loosen Fastener		Phillips Screwdriver
	Aflojar elemento de fijación		Destornillador Phillips
	Befestigungsteil lösen		Kreuzschlitzschraubendreher
	Desapertar fixador		Chave de fendas Phillips
	Allentare il fissaggio		Cacciavite a stella
	Bevestiging losdraaien		Kruiskopschroevendraaier
Desserrez les fixations	Tournevis à pointe cruciforme		

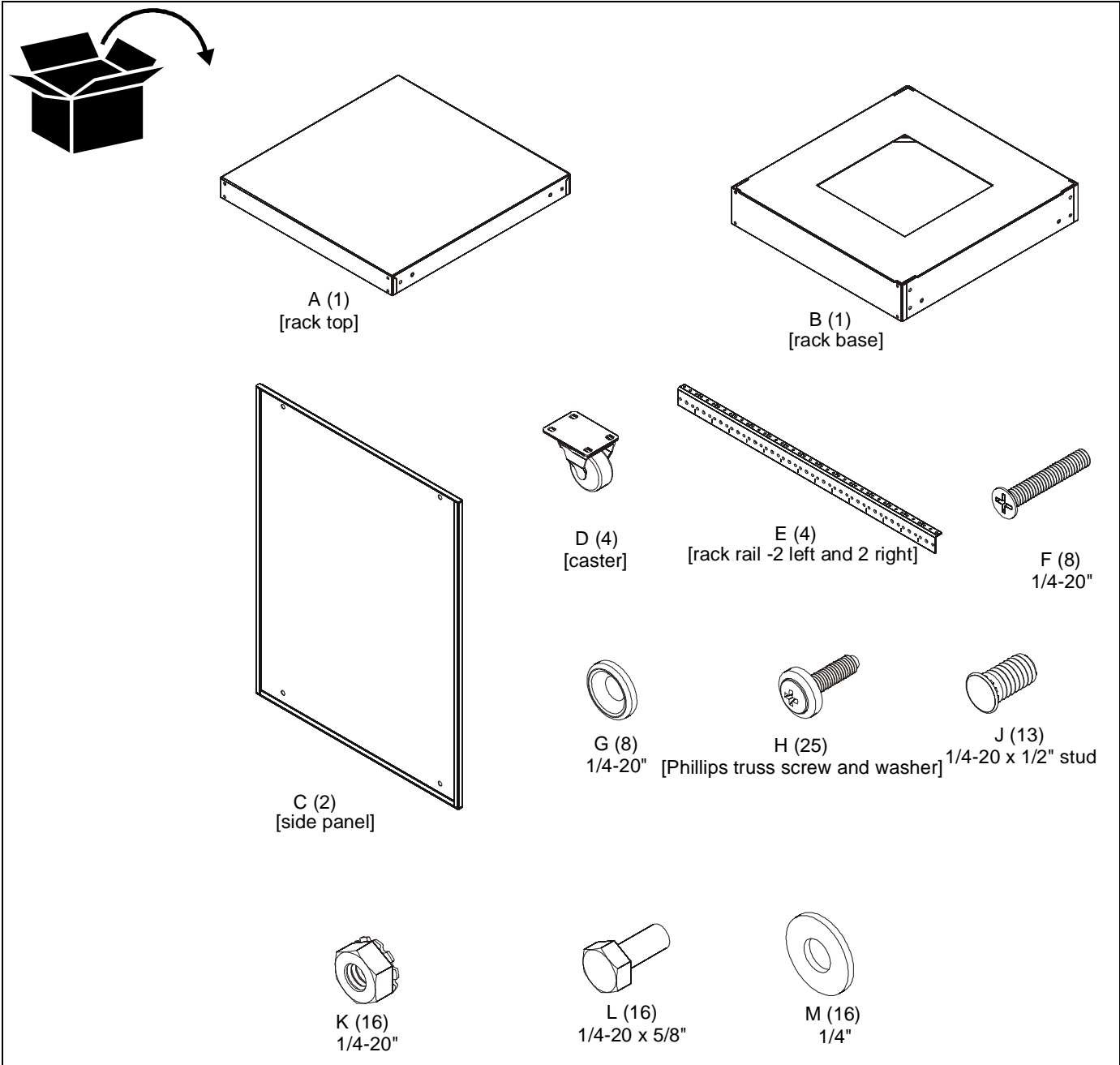
DIMENSIONS



TOOLS REQUIRED FOR INSTALLATION



PARTS



ASSEMBLY

1. Use four 1/4-20 x 5/8" hex head tapping screws (L), four 1/4" washers (M) and four 1/4-20" lock nuts (K) to secure caster (D) to rack base (B). Repeat for each caster. (See Figure 1)

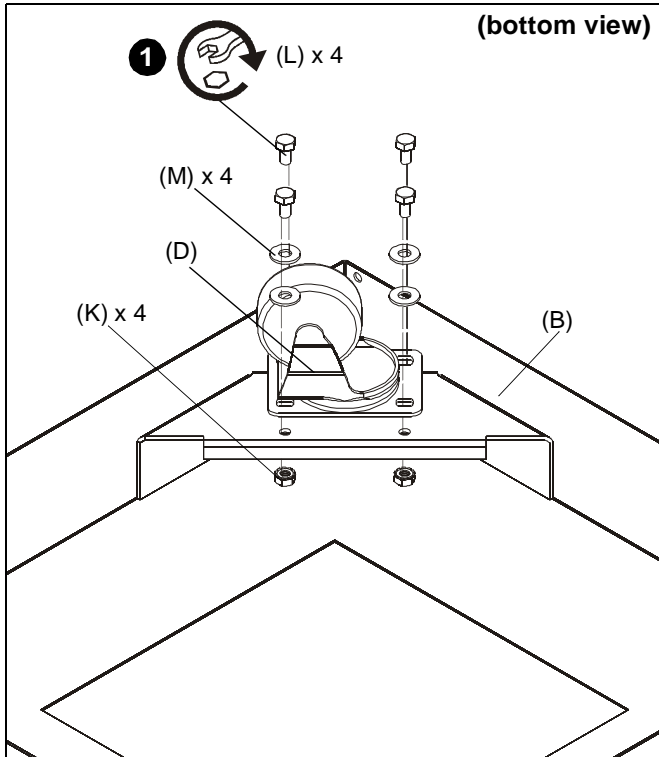


Figure 1

2. Insert four rack rails (E) into rack base (B) at each corner, lining up the corresponding holes for installation. (See Figure 2)

IMPORTANT ! : Refer to numbering on rails to determine whether rails are to be installed on right or left side.

3. Use eight Phillips truss screws and washers (H) to secure rack rails (E) to rack base (B). (See Figure 2)
4. Set rack top (A) on top of rack rails (E), lining up corresponding holes for installation. (See Figure 2)
5. Use eight Phillips truss screws and washers (H) to secure rack rails (E) to rack top (A). (See Figure 2)

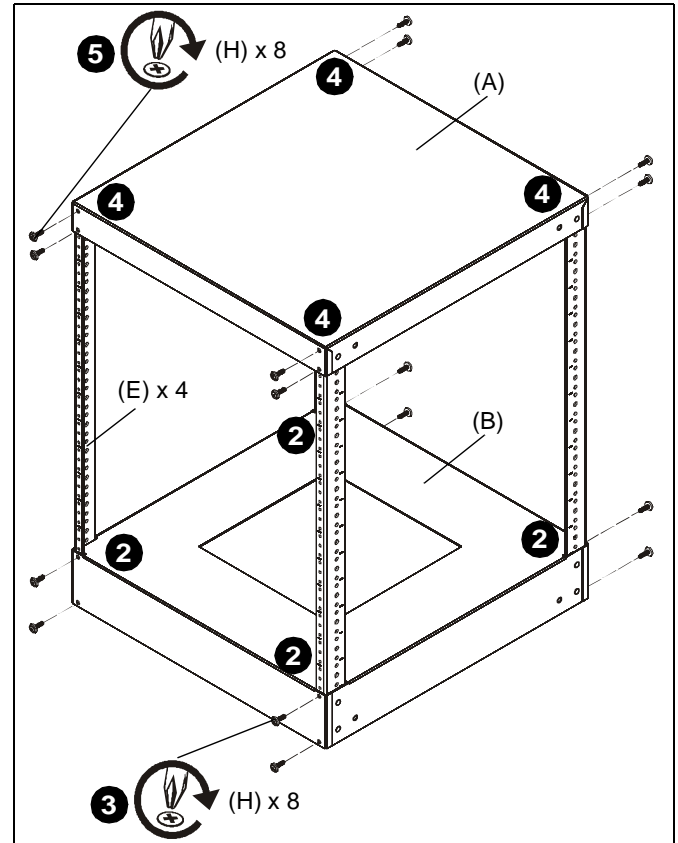


Figure 2

6. Use eight 1/4-20 x 1/2" studs (J) and eight 1/4-20 lock nut washers (K) to fully secure rack base (B) to rack rails (E). (See Figure 3)
7. Use four 1/4-20 x 1/2" studs (J) and four 1/4-20 lock nut washers (K) to fully secure rack top (A) to rack rails (E). (See Figure 3)

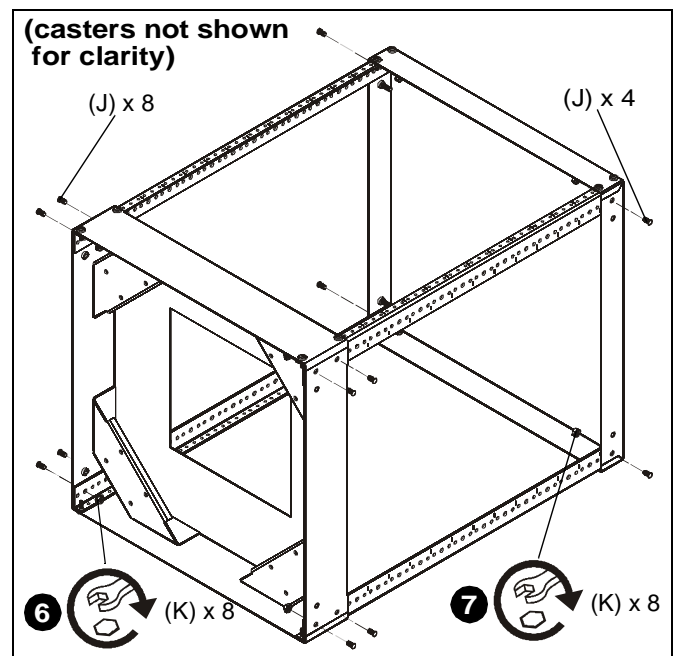


Figure 3

8. Use eight 1/4-20" Phillips flat machine screws (F) and eight rack washers (G) to secure two side panels (C) to rack top and rack bottom. (See Figure 4)

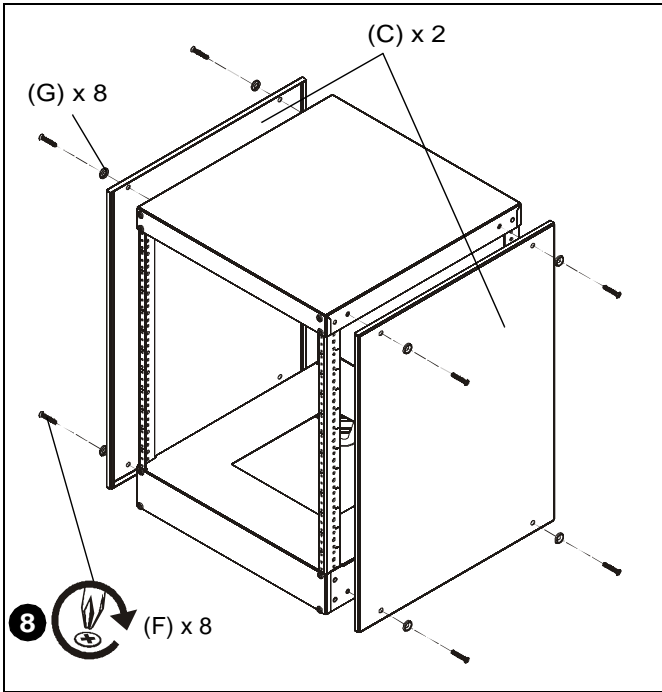


Figure 4



Our Mounts. **Your Vision.**

Chief Manufacturing, a products division
of Milestone AV Technologies

8800-002236 Rev01
©2012 Milestone AV Technologies, a
Duchossois Group Company
www.chiefmfg.com
09/12

USA/International	A 6436 City West Parkway, Eden Prairie, MN 55344 P 800.582.6480 / 952.225.6000 F 877.894.6918 / 952.894.6918
Europe	A Franklinstraat 14, 6003 DK Weert, Netherlands P +31 (0) 495 580 852 F +31 (0) 495 580 845
Asia Pacific	A Office No. 1 on 12/F, Shatin Galleria 18-24 Shan Mei Street Fotan, Shatin, Hong Kong P 852 2145 4099 F 852 2145 4477

