
INSTALLATION INSTRUCTIONS

Flat Panel

Static Wall Mount

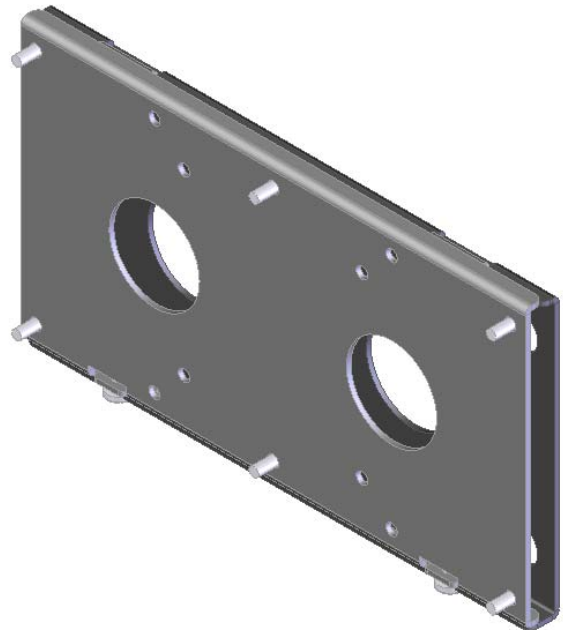
Model: GSM-111

The GSM-111 static wall mount fits most 23" to 30" displays.

The GSM-111 is designed to adapt to VESA® 200mm/100mm compliant displays. This mount will also adapt to standard VESA® 75mm/100mm compliant displays.

The GSM-111 allows the user to mount the display in a fixed position on the wall. The maximum load capacity of the GSM-111 is 45 lbs. (20.4kg).

The GSM-111 is locked into position on the mount for added safety and security. The display can only be removed from the wall bracket when the mount is unlocked.



BEFORE YOU BEGIN

CAUTION: To prevent damage to your display, which could affect or void the Factory warranty, thoroughly study all instructions and illustrations before you begin to install the mount brackets. Pay particular attention to the "Important Warnings and Cautions" on Page 2.

- If you have any questions about this installation, contact Chief Manufacturing at 1-800-582-6480 or 952-582-6480.



IMPORTANT WARNINGS AND CAUTIONS!

WARNING: A WARNING alerts you to the possibility of serious injury or death if you do not follow the instructions.

CAUTION: A CAUTION alerts you to the possibility of damage or destruction of equipment if you do not follow the corresponding instructions.

WARNING: Improper installation can result in serious personal injury! Make sure that the mounting surface can support a redundant weight factor five times the total weight of the equipment. If not, reinforce the mounting surface structural members before installing the GSM-111.

WARNING: Be aware of the potential for personal injury or damage to the unit if it is not adequately mounted.

WARNING: The installer is responsible for verifying that the mounting surface to which the

WARNING: GSM-111 is anchored will safely support the combined load of all attached components or other equipment.

WARNING: The combined weight of the display placed on the GSM-111 must not exceed 45 lbs. (20.4kg), the maximum load capacity of the mount.

WARNING: Watch for pinch points. Do not put your fingers between movable parts.

WARNING: Make sure the mount is correctly oriented.

CAUTION: Check the unit for shipping damage before you begin the installation.

CAUTION: If your monitor uses a longer screw size other than those included in the kit, DO NOT use the screws provided with the mount. Use the screws provided with your monitor or contact the manufacturer. Using the wrong screws could result in damage to your monitor.

TOOLS REQUIRED FOR INSTALLATION

- Phillips screwdriver
- Drill and drill bits

NOTE: Other tools may be required depending on your method of installation.

IMPORTANT WARNINGS AND CAUTIONS!..... 2

TOOLS REQUIRED FOR INSTALLATION 2

MOUNT KIT 3

INSTALLATION 4

 Drywall Installation 4

 Drywall Installation (continued) 5

 Wood Stud Installation 5

Installing Locking Screws onto VESA Bracket..... 6

 Locking Screw Installation (Short) 6

 Locking Screw Installation (Long) 6

Attaching VESA Bracket to Display 6

 Flush Mount Installation 6

 Recessed Mount Installation 7

Mounting the Display 7

Mounting the Display (Continued) 8

 Cable Routing..... 8

 Locking Display on Wall Bracket 9

MOUNT KIT

Unpack carton and verify kit contents (see Table 1). Read installation instructions completely. If you are missing any of the listed components, please contact Customer Service at 1-800-582-6480.

Table 1: Mount Kit

| ITEM NUMBER | DESCRIPTION | QTY | NOTES |
|-------------|---|-----|---------------------|
| 10 | BRKT, VESA STATIC INTERFACE | 1 | |
| 20 | BRKT, WALL STATIC MOUNT | 1 | |
| 30 | ANCHOR, HOLLOW WALL | 4 | Drywall Mounted |
| 40 | PHILLIPS HEAD WOOD SCREW, 2-1/2" | 2 | Single Stud Mounted |
| 50 | PHILLIPS PAN HEAD MACHINE SCREW, M5 X 16MM | 2 | Used for Locking |
| 60 | PHILLIPS PAN HEAD MACHINE SCREW, M5 X 80MM | 2 | |
| 70 | 1-1/4" NYLON SPACER | 4 | |
| 80 | PHILLIPS PAN HEAD MACHINE SCREW, M4 X 12MM OR | 6 | Flush Mount |
| | PHILLIPS PAN HEAD MACHINE SCREW, M4 X 12MM (USE WITH 90)* | 6 | |
| 90 | 1/8" NYLON SPACER | 6 | Recessed Mount |
| 100 | PHILLIPS PAN HEAD MACHINE SCREW, M4 X 20MM (USE WITH 110) ** | 6 | |
| 110 | 3/8" NYLON SPACER | 6 | |
| 120 | PHILLIPS PAN HEAD MACHINE SCREW, M4 X 30MM (USE WITH 130) *** | 6 | |
| 130 | 3/4" NYLON SPACER | 6 | |

*Use M4 x 12mm screws (80) with spacers (90) for recessed mount applications.
 **Use M4 x 20mm screws (100) with spacers (110) for recessed mount applications.
 ***Use M4 x 30mm screws (120) with spacers (130) for recessed mount applications.

VESA Chart

| VESA Hole Pattern | 4-Hole | 6-Hole | Flush Mount | Recessed Mount |
|-------------------|--------|--------|-------------|----------------|
| 75mm x 75mm | x | | x | x |
| 100mm x 100mm | x | | x | x |
| 200mm x 100mm | | x | x | x |

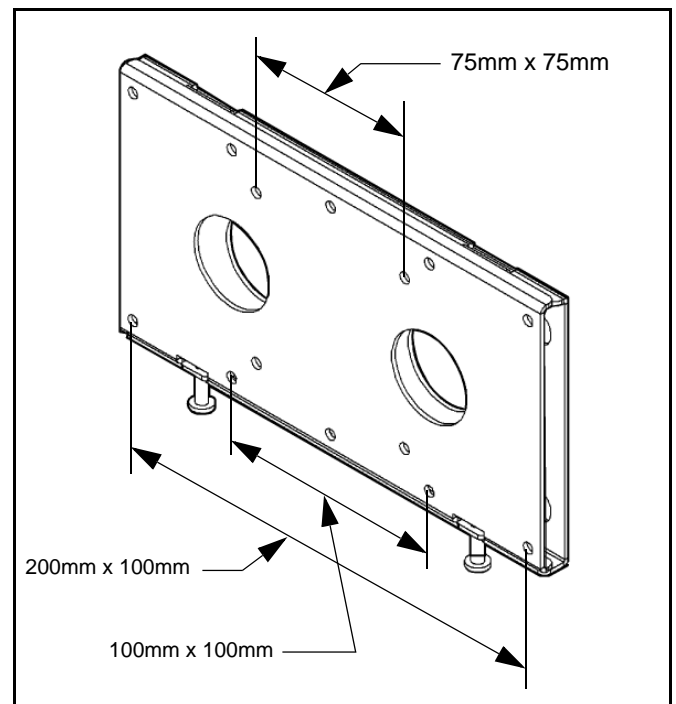


Figure 1: VESA Patterns

INSTALLATION

The GSM-111 can be installed on drywall or wood stud surfaces.

Drywall Installation

NOTE: This procedure applies to a minimum drywall thickness of 1/2 inch (12.7 mm).

To install the wall bracket on drywall:

1. Determine the exact mounting location prior to installation, considering screen size.
2. Remove two locking screws securing VESA bracket to wall bracket and set aside for reuse.
3. Remove VESA bracket from wall bracket.
4. Hold wall bracket in desired mounting location making sure wall bracket is level.
5. Using the wall bracket (20) as a template, mark the location of the four corner mounting holes. (see figure 3)
6. Drill four pilot holes at marked locations using a 3/8-inch drill.

WARNING: Contacting live electrical wires when drilling can cause serious personal injury or death. ALWAYS make certain there are no live electrical wires behind drywall before drilling pilot holes.

7. Install an anchor (30) in one of the pilot holes and tighten anchor bolt until it is fully seated. (see figure 4)
8. Remove and retain bolt from anchor (30) and repeat for remaining anchors (30).

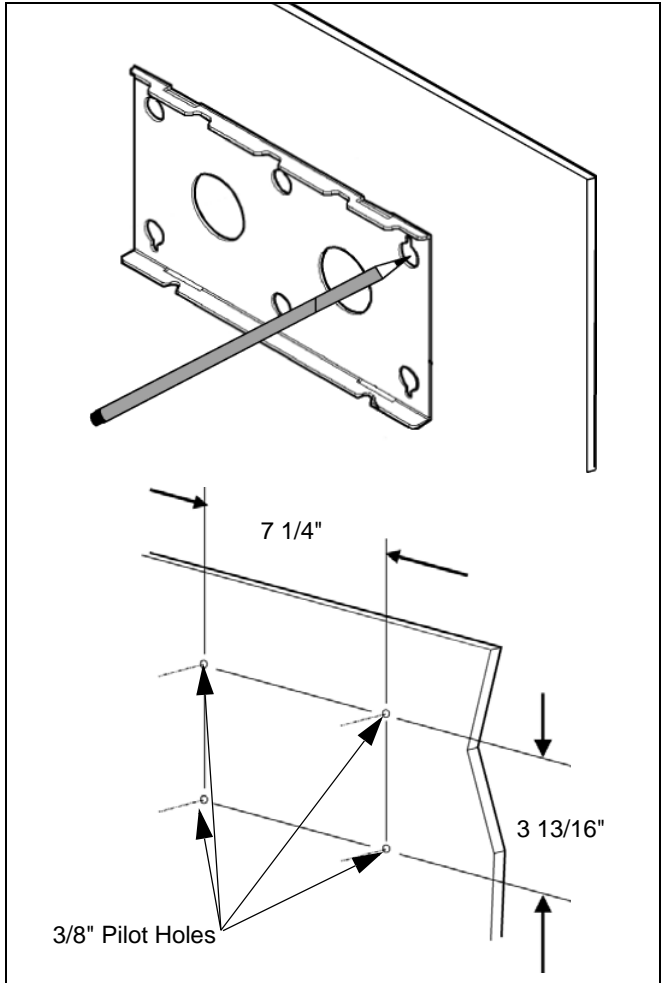


Figure 3: Mark and Drill Pilot Holes

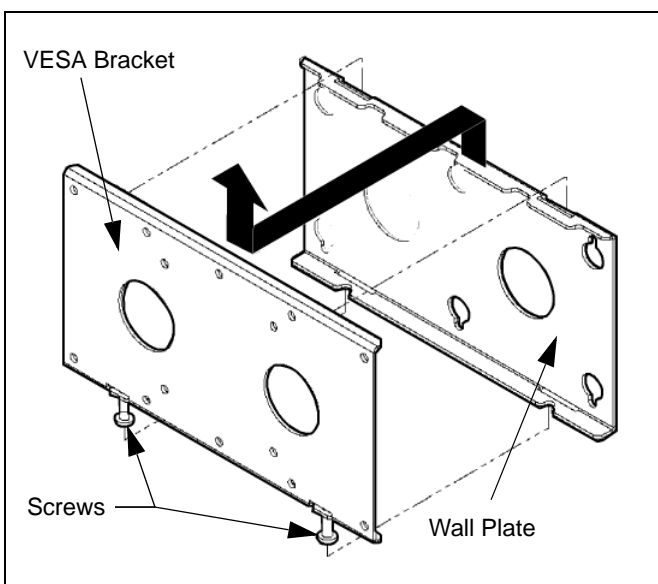


Figure 2: Remove VESA Bracket from Wall Bracket

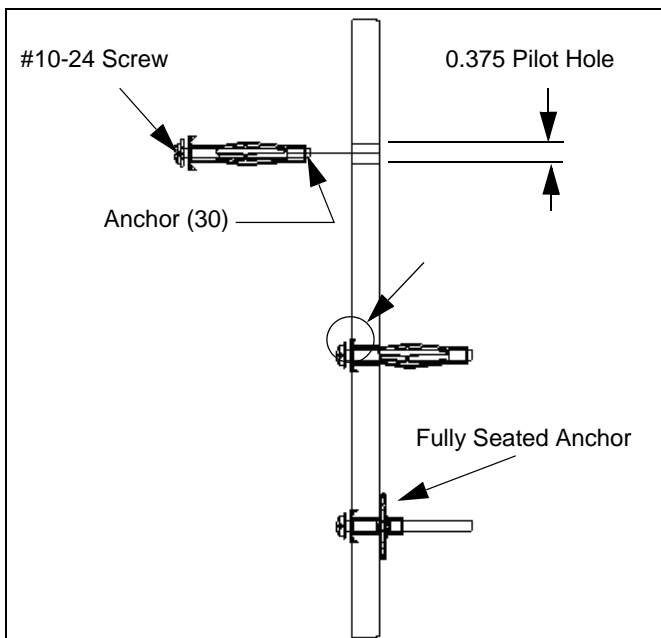


Figure 4: Install Anchors

Drywall Installation (continued)

- Secure wall bracket (20) to wall using four bolts, and four flat washers. (see figure 6)

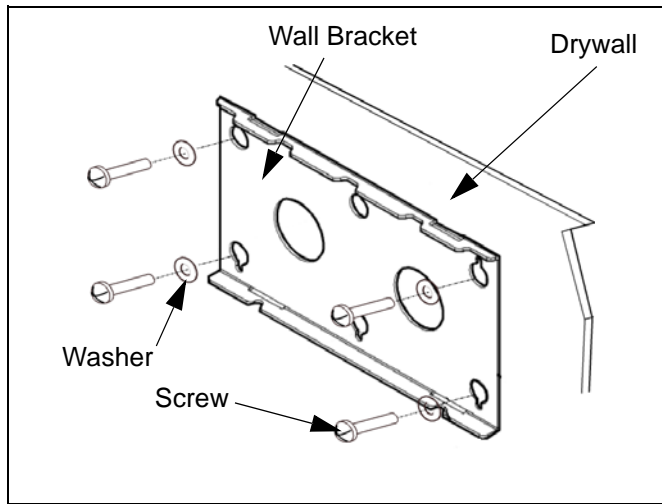


Figure 5: Secure Wall Bracket to Wall

Wood Stud Installation

To install the wall bracket on wood studs:

- Determine the exact mounting location prior to installation, considering screen size as well as the mount swing and extension radius.
- Locate stud and, using wall bracket (20) as a template at the desired height, mark the location of the two center mounting holes. (see figure 7)
- Using the two wood screws (40), secure wall bracket (20) to wall. (see figure 8)

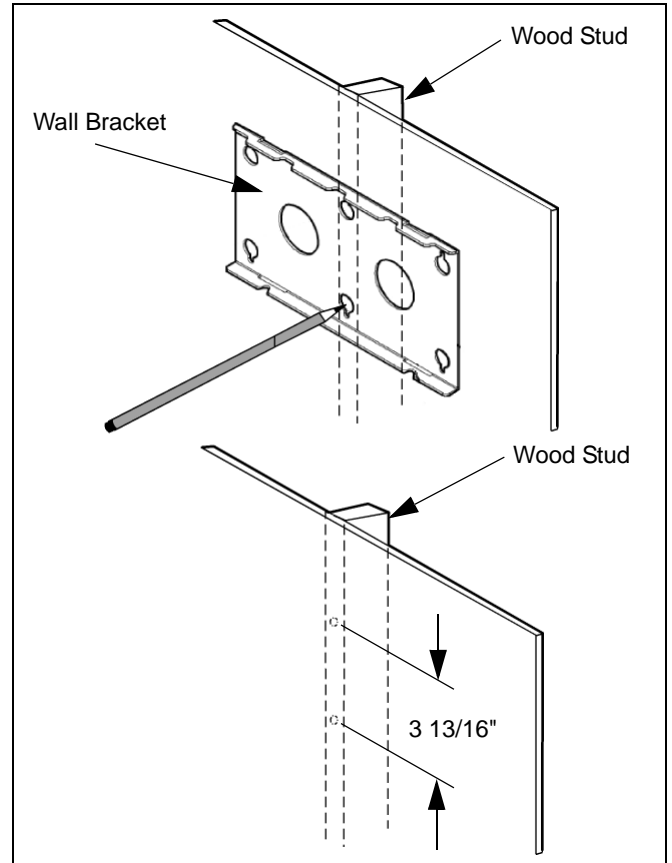


Figure 7: Locate and Drill Pilot Holes

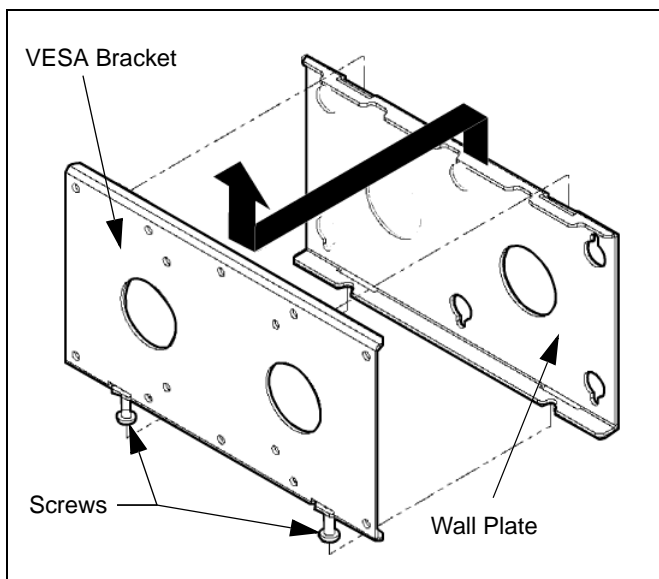


Figure 6: Remove VESA Bracket from Wall Bracket

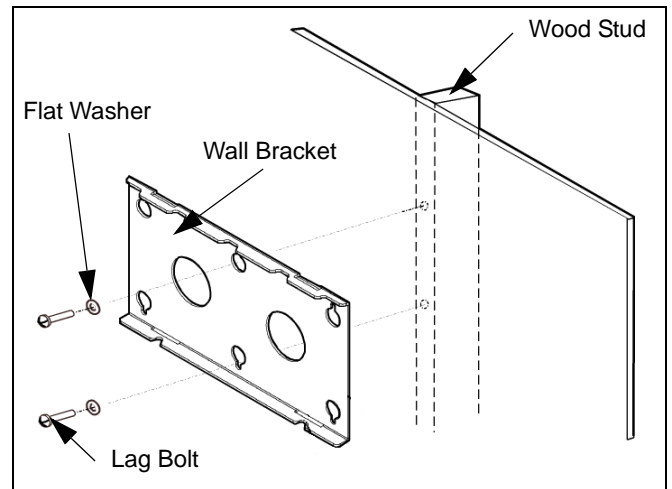


Figure 8: Install Wall Bracket

Installing Locking Screws onto VESA Bracket

NOTE: The locking screws can be attached to VESA bracket before bracket is hung on wall. Select one of the following options, depending on the type of installation you want.

Locking Screw Installation (Short)

1. Locate VESA bracket (10) and two M5 x 16mm screws (50) provided with the kit contents.
2. Insert two screws (50) into threaded holes in VESA bracket (10) bottom. Turn screws (50) enough to remain threaded in holes.

NOTE: Screws will be tightened later.

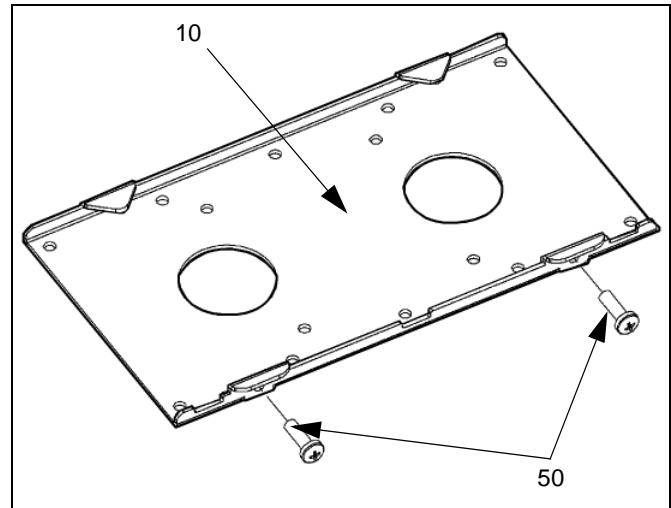


Figure 9: Locking Screw Installation (Short)

Locking Screw Installation (Long)

1. Locate VESA bracket (10), two spacers (70), and two M5 x 80mm screws (60) provided with the kit contents.
2. Install two spacers (70) on each of two screws (60).
3. Insert two screws (60) into threaded holes in VESA bracket (10) bottom. Turn screws (60) enough to remain threaded in holes.

NOTE: Screws will be tightened later.

Attaching VESA Bracket to Display

CAUTION: If display uses a screw size other than those included in the kit, DO NOT use the screws provided. Using the wrong screws could result in damage to your monitor.

Flush Mount Installation

1. Place VESA bracket (10) on display.
2. Align hole-pattern of your display with hole pattern on VESA bracket (10).
3. Attach VESA bracket (10) to display using six M4 X 12mm screws (80).

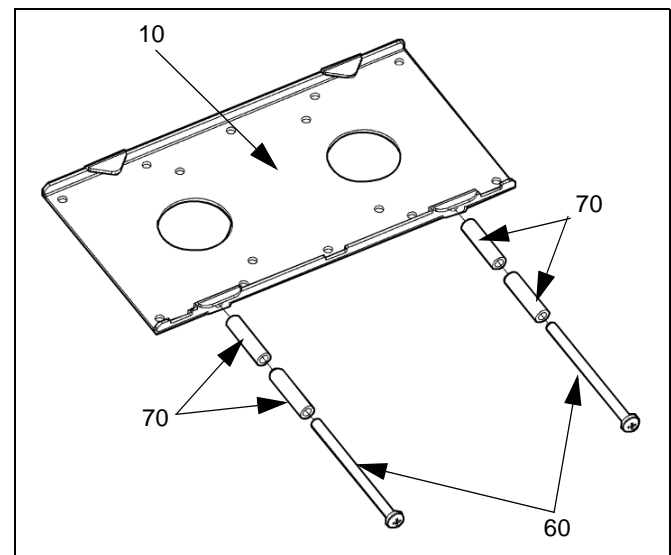


Figure 10: Locking Screw Installation (Long)

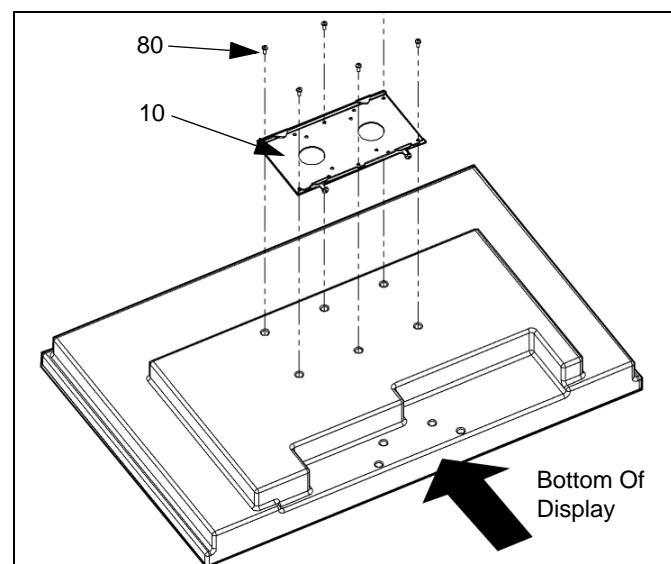


Figure 11: VESA Bracket to Flush Mount Display

Recessed Mount Installation

NOTE: Select option 1, 2, or 3 to pick the applicable screw and spacer combination.

- Refer to Table 2 for 200mm/100mm compliant displays.
- Refer to Table 3 for 75mm/100mm compliant displays.

1. Select six screws and six spacers (Table 2 or Table 3).
2. Set six spacers over the six mounting holes on your display.
3. Set VESA interface bracket (10) on top of spacers and install six screws into the mounting holes of your display.

Table 2: 200mm/100mm Compliant Displays

| OPTION | SCREW | QTY | SPACER | QTY |
|--------|-------|-----|--------|-----|
| 1 | 80 | 6 | 90 | 6 |
| 2 | 100 | 6 | 110 | 6 |
| 3 | 120 | 6 | 130 | 6 |

Table 3: 75mm/100mm Compliant Displays

| OPTION | SCREW | QTY | SPACER | QTY |
|--------|-------|-----|--------|-----|
| 1 | 80 | 4 | 90 | 4 |
| 2 | 100 | 4 | 110 | 4 |
| 3 | 120 | 4 | 130 | 4 |

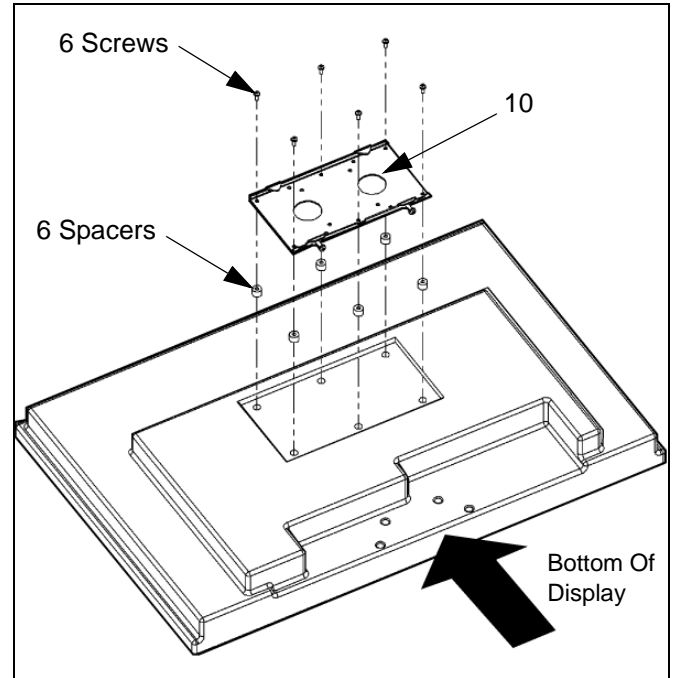


Figure 12: VESA Bracket to Recessed Mount Display

Mounting the Display

CAUTION: ALWAYS use two people and proper lifting techniques when lifting the display.

1. Position display, with VESA bracket (10) attached, slightly higher than wall plate (20). (see figure 13)
2. Move display towards wall. (see figure 13)

NOTE:

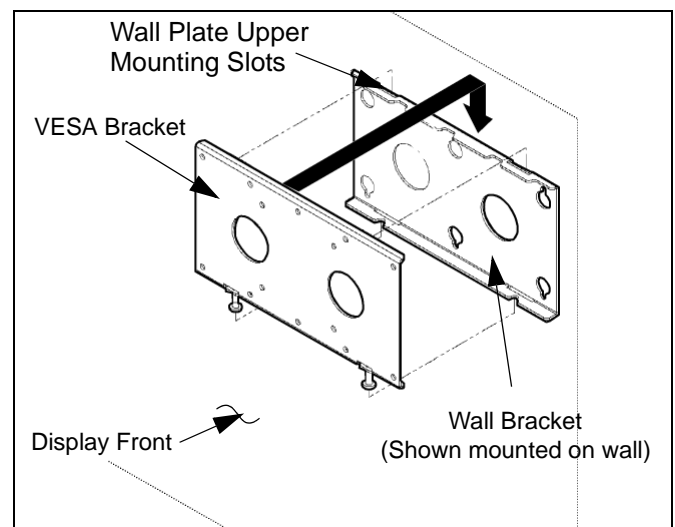


Figure 13: Hang Display

Mounting the Display (Continued)

- Lower display until upper tabs on VESA bracket (10) slide into upper slots in wall plate (20) top. (see figure 13) and (see figure 14)

CAUTION: Make certain VESA bracket upper tabs are properly seated in wall bracket upper slots before letting display hang independently.

NOTE: DO NOT install VESA bracket lower tabs into wall bracket lower slots at this time.

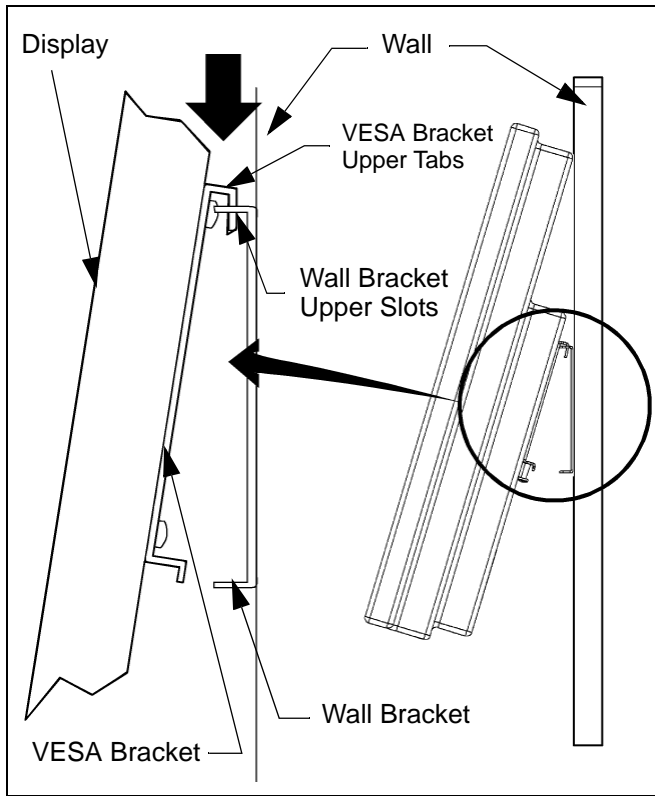


Figure 14: Hang Display

Cable Routing

To route cables to display:

- With display hanging on VESA bracket Upper tabs, pull bottom of display outward and away from wall. (see figure 15)
- Route cables between display back and wall, and Connect cables to the display. (see figure 15)
- Slowly release display bottom and allow VESA bracket lower tabs to rest against wall bracket. (see figure 16)

CAUTION: Make certain VESA and wall brackets do not pinch cables.

- Using two people, lift display upwards until VESA bracket lower tabs can slide over top of, and into, wall bracket lower slots. (see figure 16)
- Lower display making certain VESA bracket upper and

lower tabs are seated in wall bracket upper and lower slots. (see figure 16)

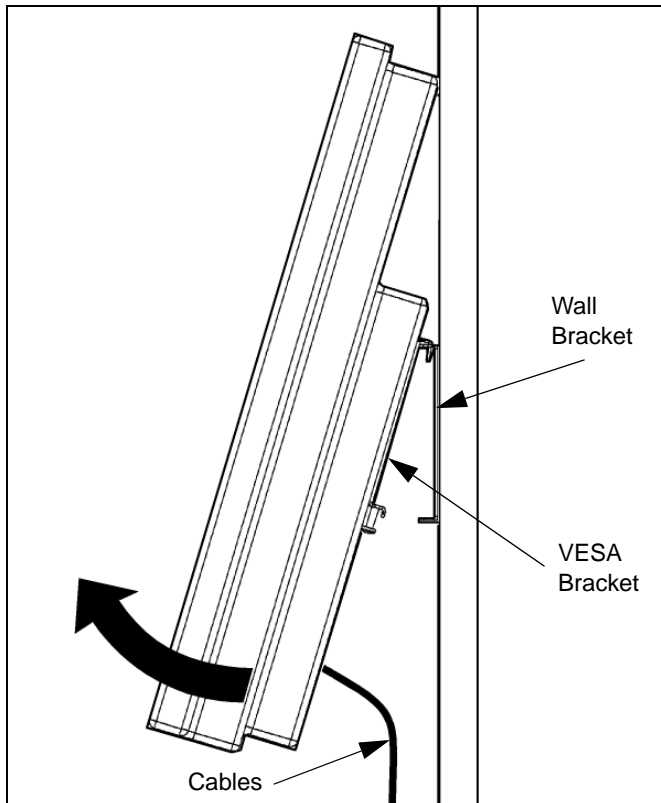


Figure 15: Cable Routing

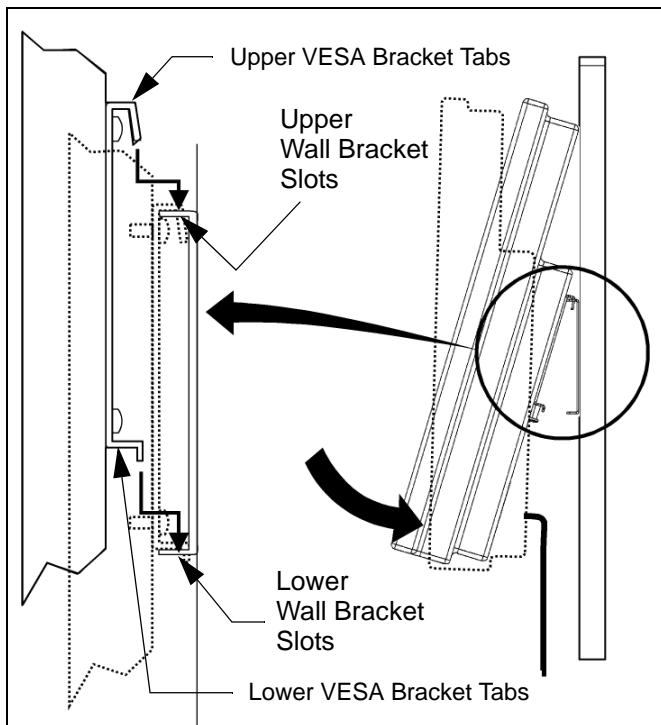


Figure 16: Mount Display

Locking Display on Wall Bracket

NOTE:

1. Make certain that all four tabs are securely seated on the wall bracket. You should not be able to pull any part of the display towards you if the bracket is secure.
2. Tighten the two locking screws (50 or 60). (see figure 17)

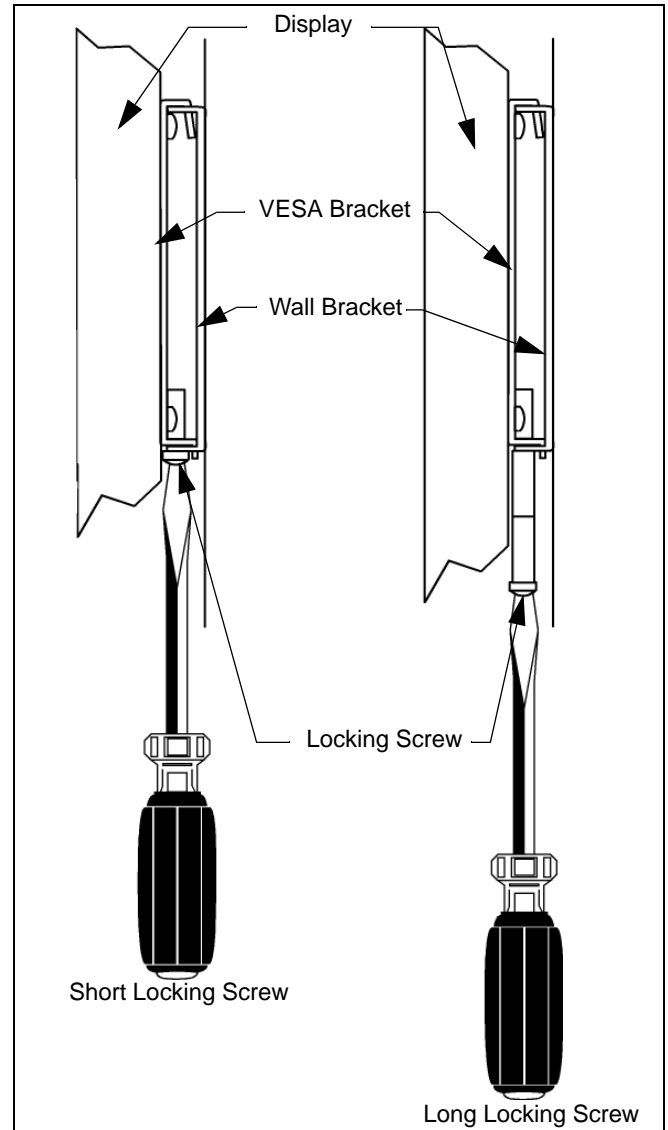


Figure 17: Lock Display

