

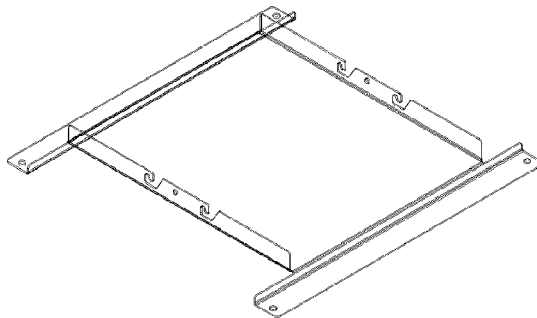


HB-25S VIDEO PROJECTOR HANGER BRACKET

The HB-25S Hanger Bracket is designed to attach Sony video projectors to the EVCM-100 Electric Ceiling Mount or VCM-25S Stationary Ceiling Mount.

Unpack and check contents:

- | | |
|---------------------------|--|
| (1) Sony Mounting Bracket | (4) 10mm Flatwashers |
| (4) 10mm x 30mm BHSCS | (4) $\frac{5}{16}$ – 18 Flange Nuts (VCM only) |
| (4) 10mm Split Lockwasher | (1) Allen Wrench, M6 S/A Hex Key |



Installation Instructions

1. Turn projector upside down.
2. Remove the four adjusting feet from the bottom of the projector.
3. Place mounting plate on projector bottom and line up slots with the threaded inserts in the projector. Secure the mounting bracket to the projector using the four 10mm x 30mm hex head bolts, 10mm split washers and 10mm flatwashers. Tighten securely.
4. See EVCM-100 or VCM-25S installation instructions.

CHIEF MANUFACTURING INC. 1-800-582-6480, Fax: 1-877-894-6918,
Email: chief@chiefmfg.com