

INSTALLATION INSTRUCTIONS

MODEL: HB-42E Custom Projector Bracket

Unpack carton and verify contents. If any listed parts are missing, immediately contact a Chief Customer Service representative by calling 1-800-582-6480.

PARTS

(1) BRACKET, Custom HB	(4) NUT, Flange, Hex, 5/16-18
(7) SCREW, Button Head, M8 x 12mm	(2) NYLON SPACER, .680x.390x.625
(1) SCREW, Button Head, M8 x 45mm	(8) WASHER, Flat, M8
	(1) KEY, Hex, M5

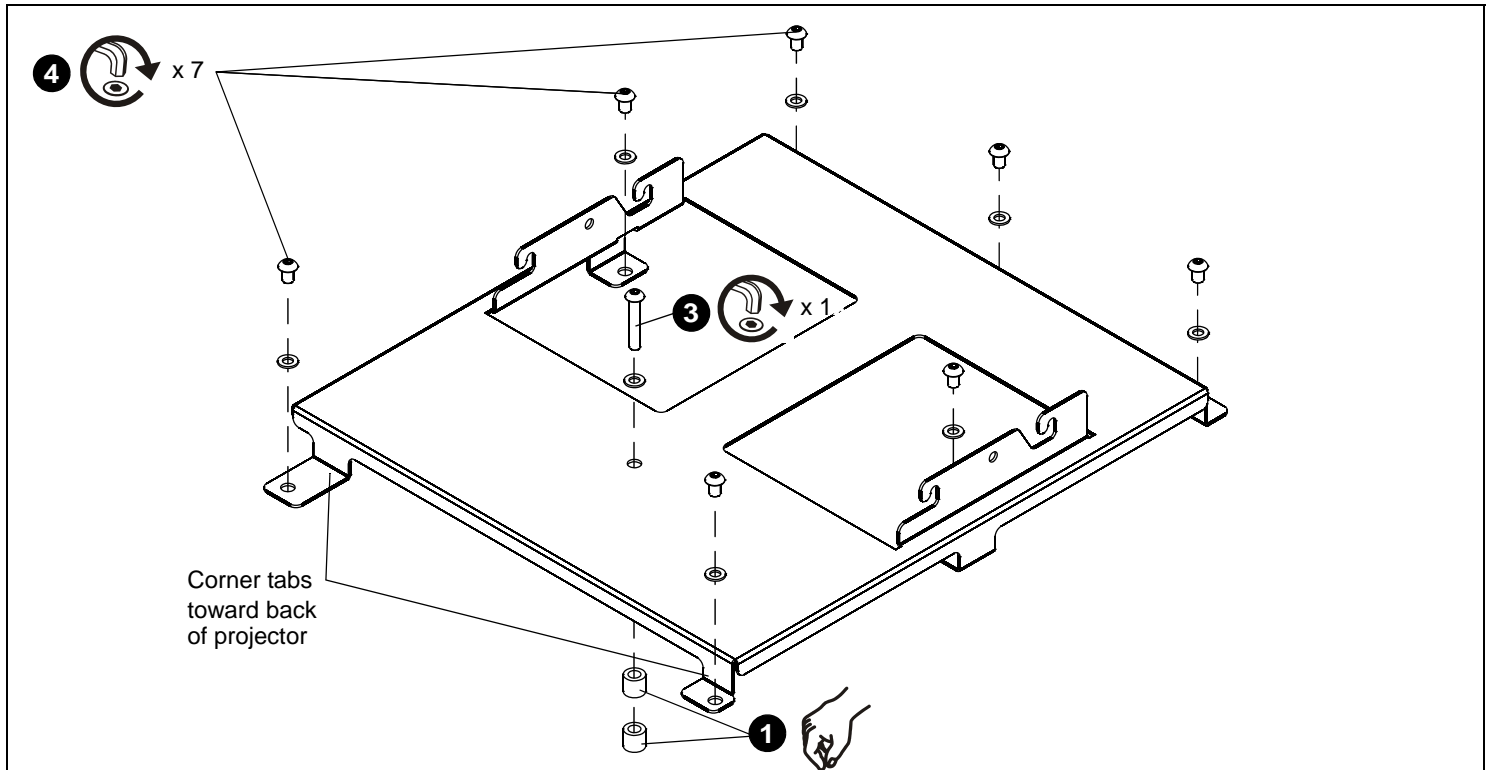


Figure 1:

INSTALLATION



WARNING: IMPROPER INSTALLATION MAY RESULT IN SERIOUS PERSONAL INJURY! All components must be securely fastened to each other and to the ceiling, and the ceiling must be capable of supporting five times the total weight of the installation.

1. Stack nylon spacers on top of each other and on top of projector under center hole. (See Figure 1)
2. Lower custom HB bracket onto nylon spacers. Ensure that the two corner tabs are toward the back of the projector, and three tabs toward the front. (See Figure 1)
3. Attach HB bracket to projector using one M8 x 45mm button head screw and flat washer through center hole and nylon spacers. (See Figure 1)
4. Install seven M8 x 12mm button head screws and M8 flat washers through corner and end tabs on bracket. (See Figure 1)

Milestone AV Technologies, Inc., and its affiliated corporations and subsidiaries (collectively, "Milestone"), intend to make this manual accurate and complete. However, Milestone makes no claim that the information contained herein covers all details, conditions or variations, nor does it provide for every possible contingency in connection with the installation or use of this product. The information contained in this document is subject to change without notice or obligation of any kind. Milestone makes no representation of warranty, expressed or implied, regarding the information contained herein. Milestone assumes no responsibility for accuracy, completeness or sufficiency of the information contained in this document.

INSTALLATION INSTRUCTIONS

Continued

Continued...

CAUTION: Installing a ceiling mount requires the presence of two persons familiar with mechanical installations. A third assistant is recommended.

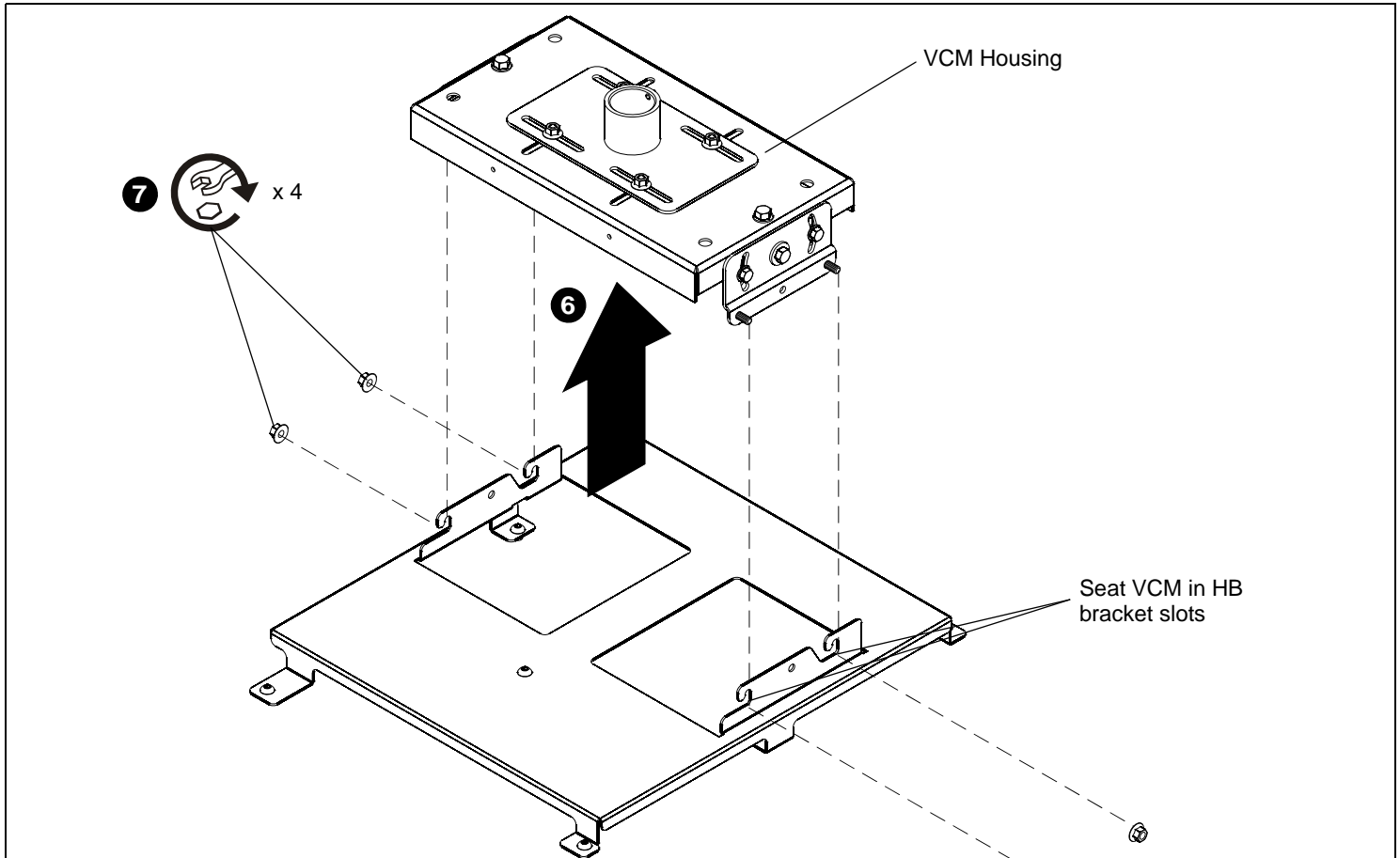


Figure 2:

5. Attach VCM housing to your method of support and tighten firmly so the VCM housing is square to the screen.
6. With help of assistants, lift the projector and install it to the four studs extending from the VCM housing. Ensure that the VCM housing is seated in slots on HB bracket. (See Figure 2)
7. Tighten the four 5/16" flange nuts. (See Figure 2)

