



# VIDEO PROJECTOR HANGING BRACKET HB-80M

The HB-80M bracket is designed to attach the Mitsubishi VS-2022 video projector to the EVCN-100 Electric Ceiling Mount, VCM-80M Deluxe Ceiling Mount or VCM-2C/3C Multiple Projector Stacking System.

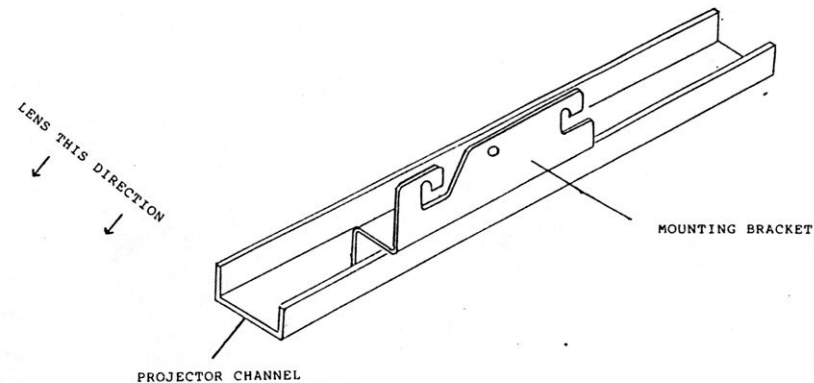
Unpack carton and check contents:

- (2) Mounting Brackets, right and left
- (6) 10 - 24 x 1/2 Socket Cap Screws
- (6) #10 Internal Lockwasher
- (1) 5/32 Allen Wrench
- (4) 5/16-18 Flange Nuts

## Installation Instructions

1. Turn your projector upside down.
2. With the "L" slots facing the rear of the projector position the mounting brackets on the channel so that the "L" side of the bracket is to the outside of the projector and the tapped holes are to the inside of the channel on projector (see figure 1). Using the hardware provided, securely tighten both right and left brackets to the projector.
3. See separate instructions for installing projector to EVCN-100 Electric Ceiling Mount, VCM-80M Deluxe Ceiling Mount or VCM-2C/3C Multiple Projector Stacking System.

FIGURE 1



**CAUTION: IMPROPER INSTALLATION MAY RESULT IN SERIOUS PERSONAL INJURY!**  
The overhead support **must** be capable of supporting **five times** the weight of the mount **and** equipment combined. If it cannot support this weight, the ceiling **must** be reinforced.