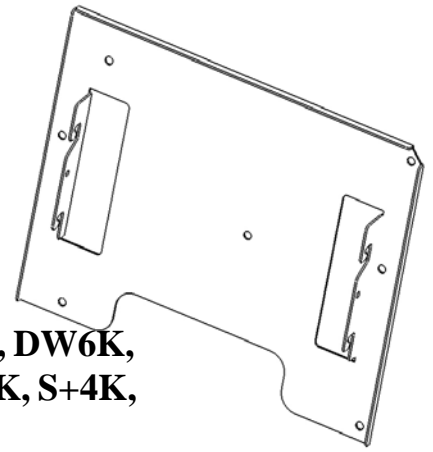




HB91C
VIDEO PROJECTOR CEILING MOUNT
FOR CHRISTIE DIGITAL DS+4K, DS+8K, DW3K, DW6K,
GRAPHXMASTER DLV1400-DX, MIRAGE S+2K, S+4K,
MATRIX 4000,



The Christie HB91C custom video projector ceiling mount is designed to provide fast, simple and secure installation. Special roll, pitch, yaw and horizontal adjustments simplify projection positioning for image alignment. The HB91C mount also has positive registration lock so the projector may be removed without losing projector mount registration.

Unpack and check contents:

- | | |
|-----------------------------------|--|
| (1) Deluxe ceiling mount assembly | (7) M10 Flat washers |
| (1) Custom mounting bracket | (7) M10 X 20mm hex bolts |
| (4) 5/16" flange nuts | (7) Nylon Spacers .750"OD X 505"ID X .125"TL |

INSTALLATION INSTRUCTIONS

1. Turn your projector upside down.
2. Place 7 Nylon spacers over the 7 threaded inserts in the bottom of the projector (Depending on the model, some models do not use the center mounting hole).
3. Place the custom mounting bracket on the projector so all six or seven holes in the custom bracket align with the six or seven mounting inserts in the bottom of the projector.
4. Place (1) M10 flat washer on each of the (7) M10 X 20mm bolts, starting them all by hand and secure them using the proper size wrench. **Using the proper wrench, securely tighten all six or seven mounting bolts at this time.**

WARNING: IMPROPER INSTALLATION MAY RESULT IN SERIOUS PERSONAL INJURY! All components must be securely fastened to each other and to the ceiling, **AND** the ceiling **MUST** be capable of supporting 5 times the total weight of the installation. If it cannot, the ceiling **MUST** be reinforced.

5. Be sure the method of support you are using for the VCM ceiling mount is securely installed to the ceiling. If not, the ceiling must be reinforced. Improper installation may result in serious personal injury.
6. Attach the VCM housing to your method of support and tighten firmly so the VCM housing is square to the screen.

WARNING: *Installing a ceiling mount requires the presence of two persons familiar with mechanical installations. A third assistant is recommended*

7. With the help of your one or two assistants, lift the projector and install it on the studs extending from the mounting plate. Make sure the custom mounting plate is seated in the slots and **Tighten securely** using the four 5/16" flange nuts.

For projector alignment see attached sheet.