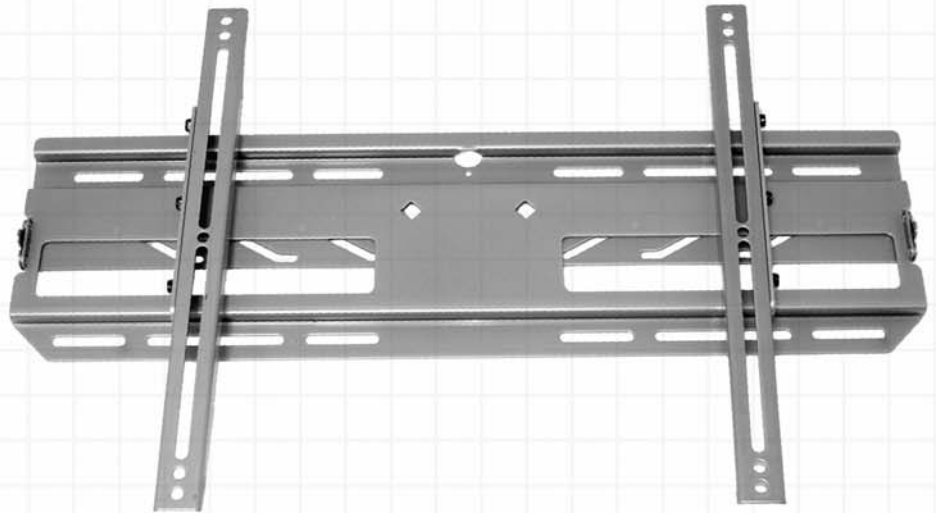


Mounting



Installation Instructions

Universal Low-Profile
Flat Panel Wall Mount
for Plasma and Large LCD TVs



iC-LP-FM1



IMPORTANT WARNINGS AND CAUTIONS!

WARNING: A **WARNING** alerts you to the possibility of serious injury or death if you do not follow the instructions.

CAUTION: A **CAUTION** alerts you to the possibility of damage or destruction of equipment if you do not follow the corresponding instructions.

- **WARNING: Improper installation can result in serious personal injury! Make sure that the structural members can support a weight factor *five times* the total weight of the equipment. If not, reinforce the structure before installing the mount.**
- **CAUTION:** Check the unit for shipping damage. See “PARTS DRAWINGS” on page 5.

TOOLS REQUIRED FOR INSTALLATION

- Socket Set (1/2” Socket)
- Phillips screwdriver, No. 2
- Drill and drill bit set (for wood stud installation)

NOTE: Other tools may be required depending on the method of installation.

CONTENTS

IMPORTANT WARNINGS AND CAUTIONS!	2
TOOLS REQUIRED FOR INSTALLATION	2
PARTS LIST	4
PARTS DRAWINGS	5
INSPECT THE MOUNT BEFORE INSTALLING	5
INSTALL INTERFACE BRACKETS ON DISPLAY	5
INSTALL WALL PLATE	8
INSTALL DISPLAY	9
DISPLAY REMOVAL INSTRUCTIONS	10

PARTS LIST

Table 1: Parts List

REF	DESCRIPTION	QTY	REF	DESCRIPTION	QTY
10	PLATE, Wall with two latches attached	1	120	SCREW, Phillips, M4 x 20 (Parts Bag A)	8
20	BRACKET, Interface (Rt)	1	130	SCREW, Phillips, M4 x 16 (Parts Bag A)	8
30	BRACKET, Interface (Lft)	1	140	SCREW, Phillips, M4 x 25 (Parts Bag A)	8
40	SCREW, Phillips, M8 x 20 (Parts Bag A)	6	150	WASHER, Flat, #10 (Parts Bag A)	8
50	SCREW, Phillips, M8 x 30 (Parts Bag A)	6	160	WASHER, Flat, 1/4" (Parts Bag A)	8
60	SCREW, Phillips, M8 x 45 (Parts Bag A)	6	170	SPACER, 1/4" (Parts Bag A)	8
70	SCREW, Phillips, M6 x 25 (Parts Bag A)	8	180	SPACER, 1/2" (Parts Bag A)	8
80	SCREW, Phillips, M6 x 16 (Parts Bag A)	8	190	WASHER, Shoulder, .195"ID (Parts Bag A)	8
90	SCREW, Phillips, M5 x 25 (Parts Bag A)	8	200	WASHER, Shoulder, .320"ID (Parts Bag A)	8
100	SCREW, Phillips, M5 x 20 (Parts Bag A)	8	210	BOLT, Lag, 5/16" (Parts Bag B)	4
110	SCREW, Phillips, M5 x 16 (Parts Bag A)	8	220	WASHER, 5/16" (Parts Bag B)	4
			230	SCREW, Self-Tapping	2

PARTS DRAWINGS

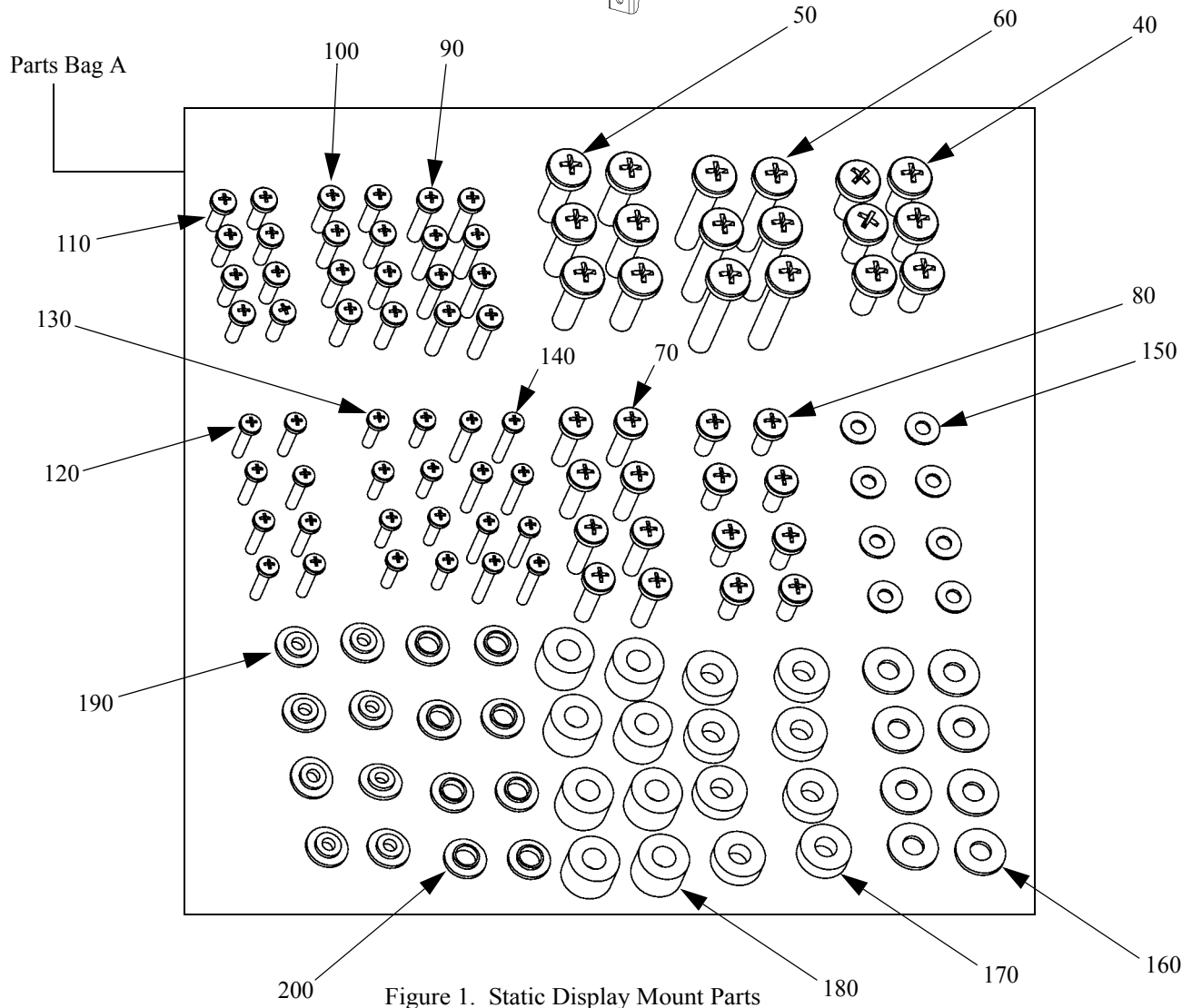
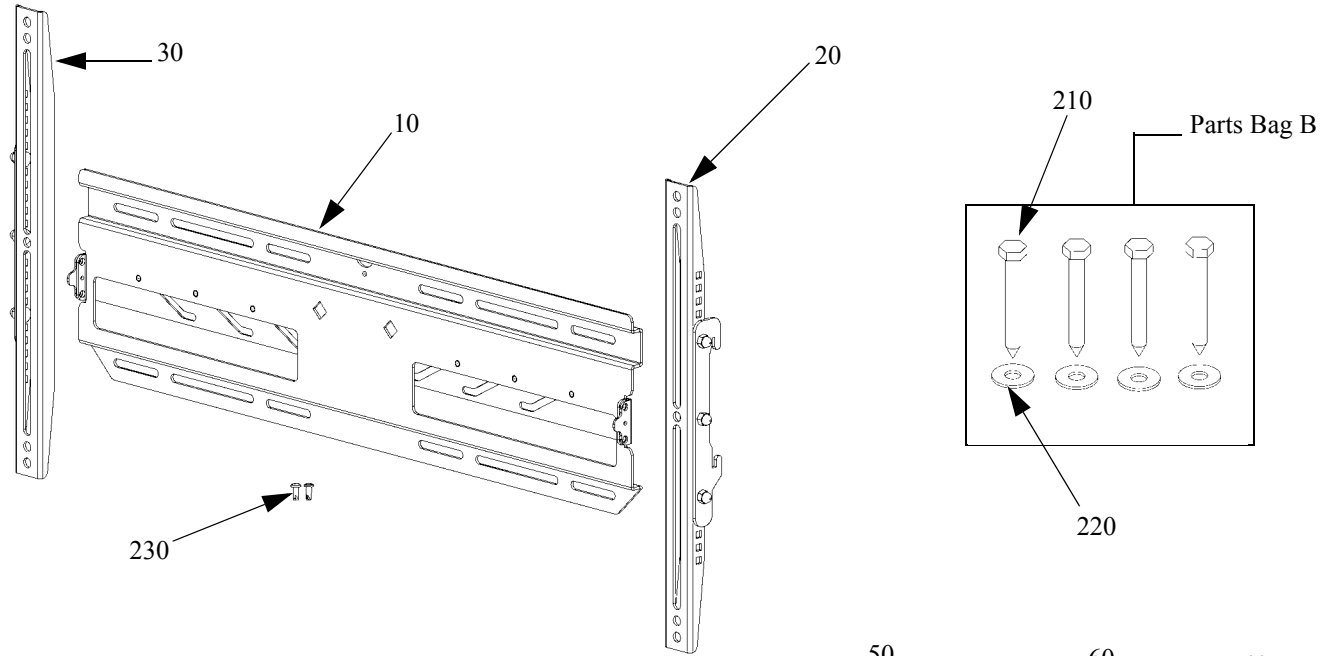


Figure 1. Static Display Mount Parts

INSPECT THE MOUNT BEFORE ASSEMBLY

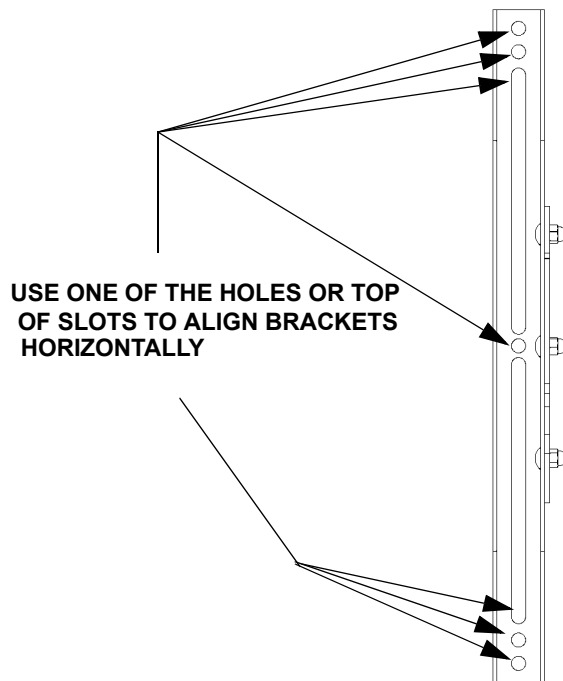
1. Carefully inspect the mount components for shipping damage (see Figure 1).
2. If any damage is apparent, call your carrier claims agent and do not continue with the installation until the carrier has reviewed the damage.

NOTE: Read all assembly instructions before starting the installation process.

INSTALL INTERFACE BRACKETS ON DISPLAY

Install the interface brackets as follows:

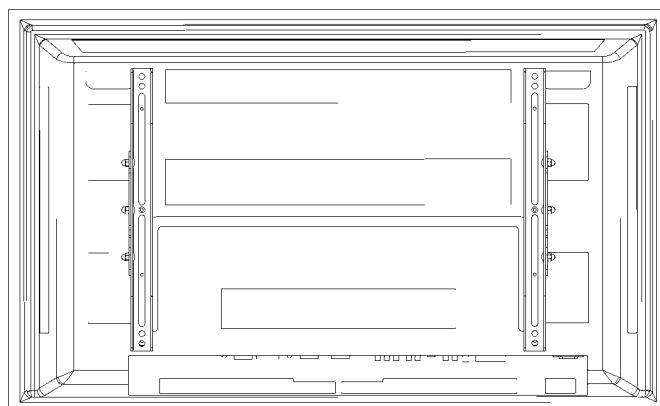
1. Place the left and right factory assembled interface bracket assemblies (20 and 30) on the back of the display (see Figure 2).
2. Position the interface bracket assemblies (20 and 30) with the hook bracket faced toward the outside of the display (refer to Figure 5).
3. Using the center hole on the interface bracket as a reference point, align the bracket with the center line of the display (see Figure 3 and Figure 6).



HOOK BRACKET (LEFT SIDE SHOWN)

Figure 2. Place Brackets on Display

**EXAMPLE
CENTER HOLE OF BRACKET USED
AS REFERENCE POINT**



**HOOK BRACKETS ON INTERFACE BRACKETS
TOWARD OUTSIDE OF SCREEN**

Figure 3. Align Interface Bracket Holes with Center Line On Display (Hook Brackets Shown)

INSTALL INTERFACE BRACKETS ON DISPLAY (CONT'D)

NOTE: Spacers (170 or 180) are used to offset the bracket if the mounting holes are recessed or to get around the protrusions.

4. Secure the left and right factory assembled interface bracket assemblies (20 and 30) to the display. Select the mounting hardware that fits your application. Read the following list and refer to Figure 4 and Figure 5.

- Use spacers (170 or 180), if necessary.
- Use M6 screws (70 or 80) or M8 screws (40, 50, or 60), steel washers (160), and shoulder washers (200).
- Or, use M4 screws (120, 130, or 140) or M5 screws (90, 100, or 110) steel washers (150), and shoulder washers (190).

5. Find the center line of the display once again (see Figure 6).

NOTE: The hook brackets can be moved above or below the center line, as needed, to fit the application and/or the desired level (see Figure 7).

6. If necessary, remove the attaching hardware and move the hook brackets as close to the center line of the display as possible (see Figure 6). Re-install the hook brackets onto the interface brackets.

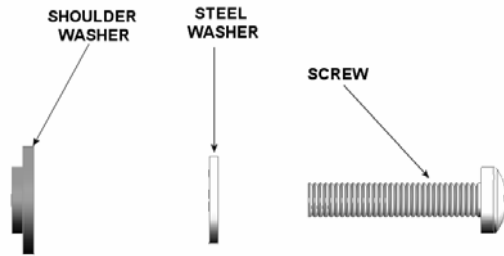


Figure 4. Attachment Parts

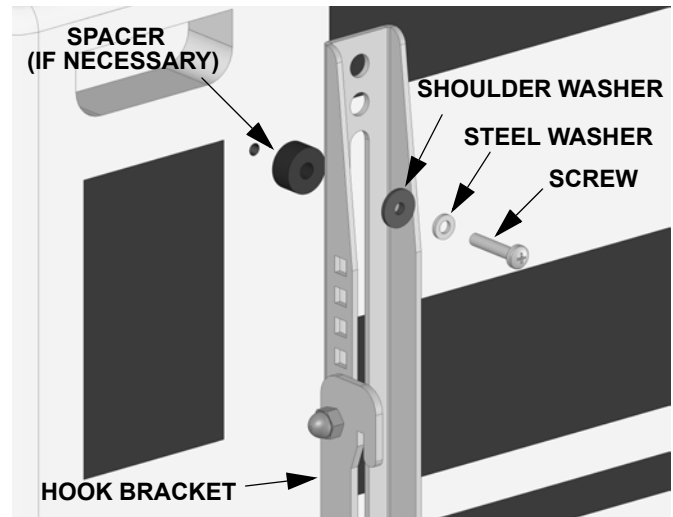


Figure 5. Attachment

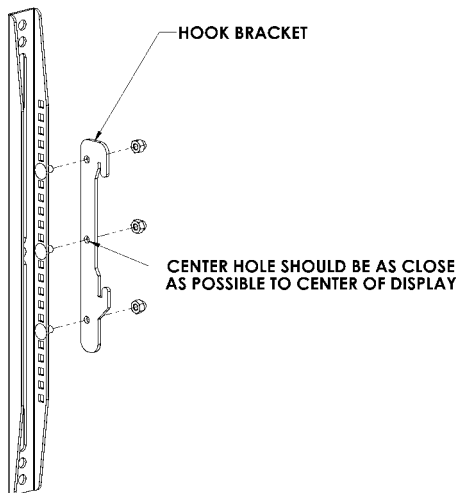


Figure 7. Move Hook Brackets (If Necessary)

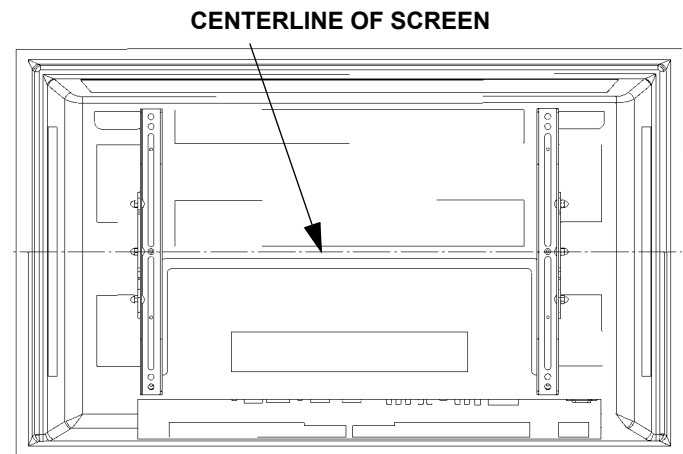


Figure 6. Center Line of Display

INSTALL WALL PLATE

Install the wall plate using the following lag bolt installation instructions.

Lag Bolt Installation Instructions

Install the wall plate as follows:

WARNING: It is the responsibility of the installer to verify that the structure to which the mount is anchored will safely support five times the combined load of all attached components and equipment.

1. Determine a suitable mounting location and lift the wall plate (10) into place. See "PARTS LIST" on page 4. and Figure 8.
2. Using a small nail or screw (not provided) in the center hole, lightly support the wall plate at the mounting location.
3. Level the wall plate (10) and drill pilot holes for anchoring the wall plate. If drilling into wood studs, use a 15/64" drill bit.
4. Using four 5/16" lag bolts (210) and 5/16" washers (220), install the wall plate on the wall.
5. Slide the latches to the outside.

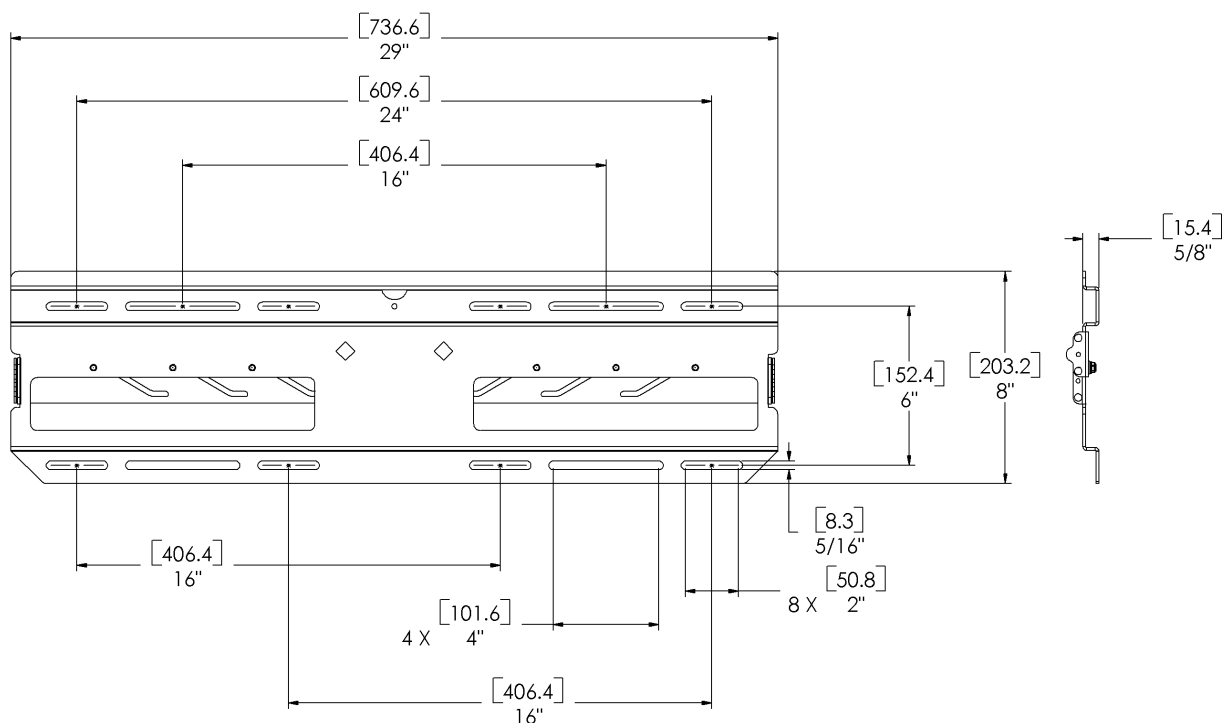


Figure 8. Lag Bolt Installation

INSTALL DISPLAY

Install the display as follows:

1. Place the display on the wall plate (10) by hooking the hooks of the brackets (20 and 30) in the top of the wall plate (see Figure 9).
2. Secure the display by sliding the latches, one on each side, inward (see Figure 9).
3. If desired, install self tapping screws (230) and/or padlocks (not provided) for additional security (see Figure 9).
4. Tilt the display up or down as desired.
5. Tighten knobs to achieve the desired tension.

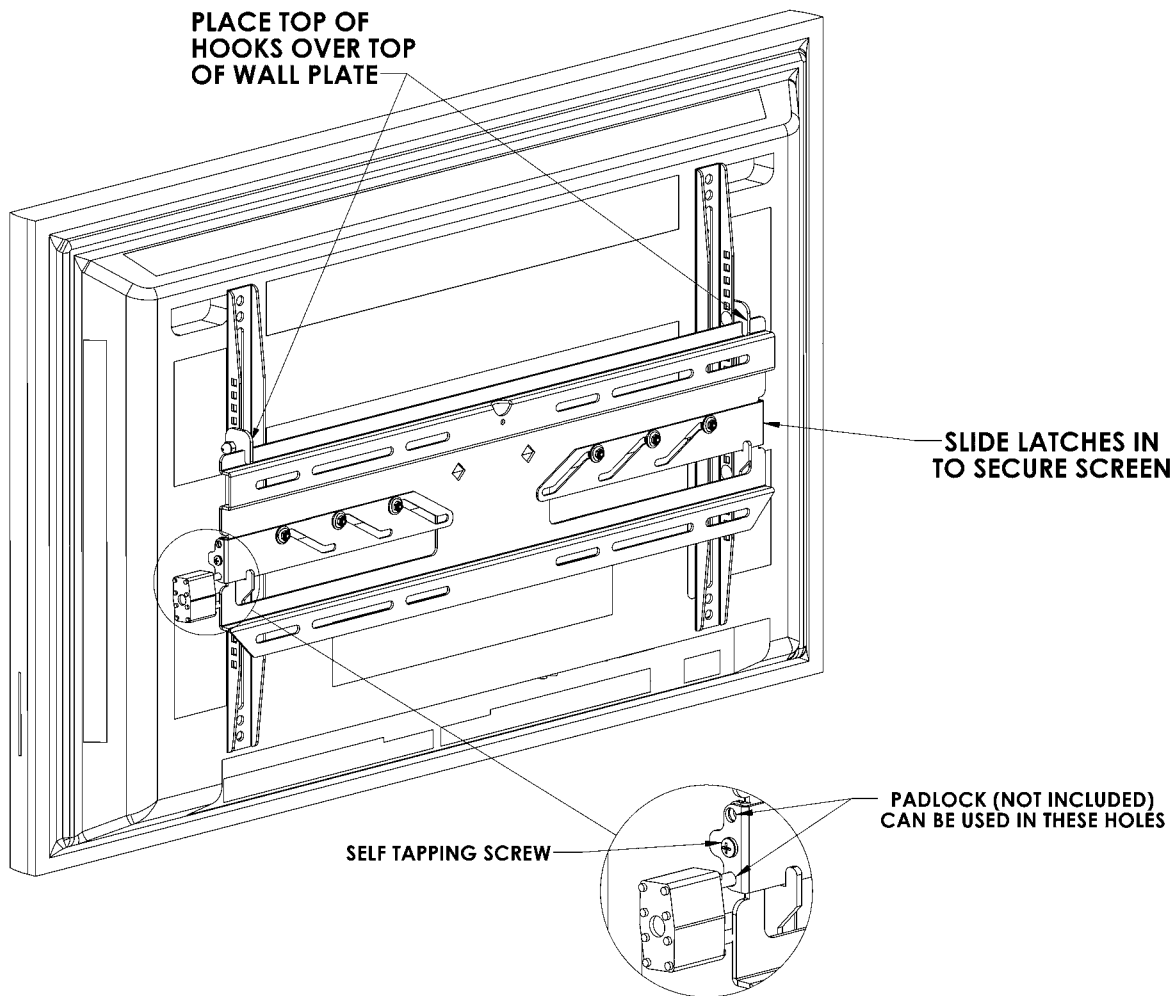


Figure 9. Install Display

DISPLAY REMOVAL INSTRUCTIONS

To perform service on the display, remove the display from the wall plate as follows:

WARNING: Disconnect power and audio/video cables before removing the display from its wall mount.

1. If applicable, remove the self tapping screws and/or padlocks from both sides of the wall plate. This hardware provides security (see Figure 11 below).
2. Slide the security latches out on both sides to disengage the display from the wall plate. See Figure 10.

WARNING: The plasma display is heavy and extremely fragile. Exercise caution when removing the display from the mount to avoid equipment damage or personal injury.

3. With an assistant, lift the display up and off the wall plate (see Figure 11) to remove the display from the wall.

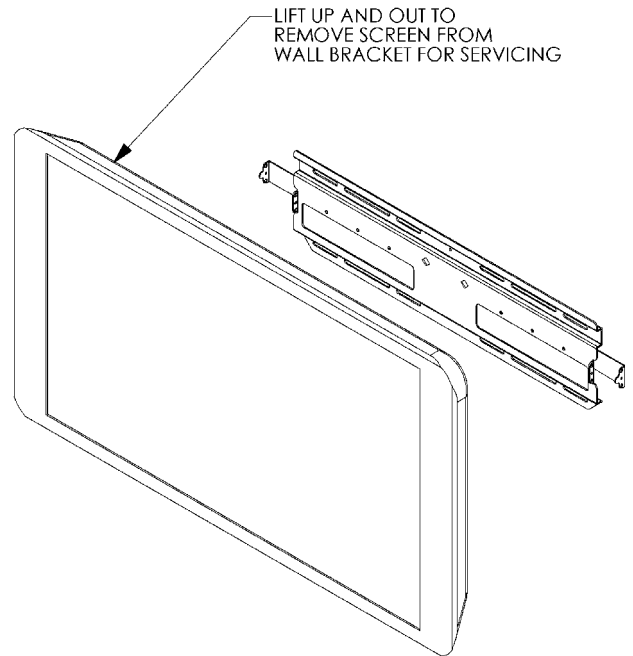


Figure 11. Remove Display

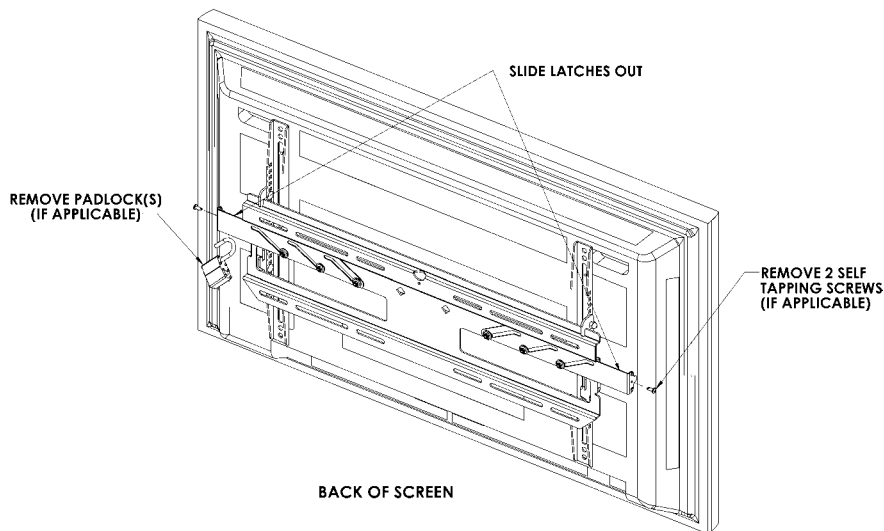


Figure 10. Remove Security Hardware



**iC Mounting Solutions • 8401 Eagle Creek Parkway, Suite 700 • Savage, Minnesota 55378 USA
US 800.572.1373 • International 952.277.3901 • www.iCmounts.com**

©2005 Chief Manufacturing Inc. The iC logo and Glide Lock are trademarks of Chief Manufacturing Inc. All rights reserved.
Patents and patents pending. Chief Manufacturing Inc., Savage, MN 55378, USA.

04/05
8832-000069 (Rev. A)