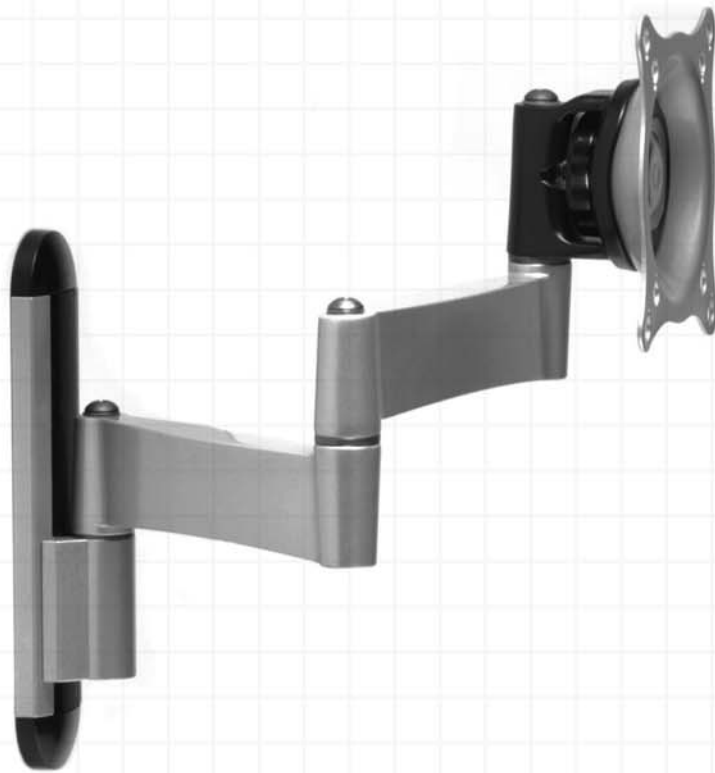




Installation Instructions

*Dual Swing Arm*  
**Flat Panel Wall Mount**  
for LCD TVs and Monitors



iC-SP-DA1



## IMPORTANT WARNINGS AND PRECAUTIONS!

- WARNING:** A **WARNING** alerts you to the possibility of serious injury or death if you do not follow the instructions.
- CAUTION:** A **CAUTION** alerts you to the possibility of damage or destruction of equipment if you do not follow the corresponding instructions.
- **WARNING:Improper installation can result in serious personal injury! Make sure that the structural members can support a redundant weight factor *five times* the total weight of the equipment: if not, reinforce the structure before installing the iC-SP-DA1.**
  - **WARNING:Be aware also of the potential for personal injury or damage to the unit if it is not adequately mounted.**
  - **WARNING:The installer is responsible for verifying that the wall to which the iC-SP-DA1 is anchored will safely support the combined load of all attached components or other equipment.**
  - **WARNING:The weight of the display placed on the iC-SP-DA1 must not exceed 40 lbs. (18.1 kg), the maximum load capacity of the iC-SP-DA1.**
  - **WARNING:Watch for pinch points. Do not put your fingers between movable parts.**
  - **WARNING:Make sure the mount and brackets are correctly oriented.**
  - **CAUTION:** Check the unit for shipping damage before you begin the installation.

## TOOLS REQUIRED FOR INSTALLATION

- Electric drill and bit set
- Phillips Screwdriver
- Level

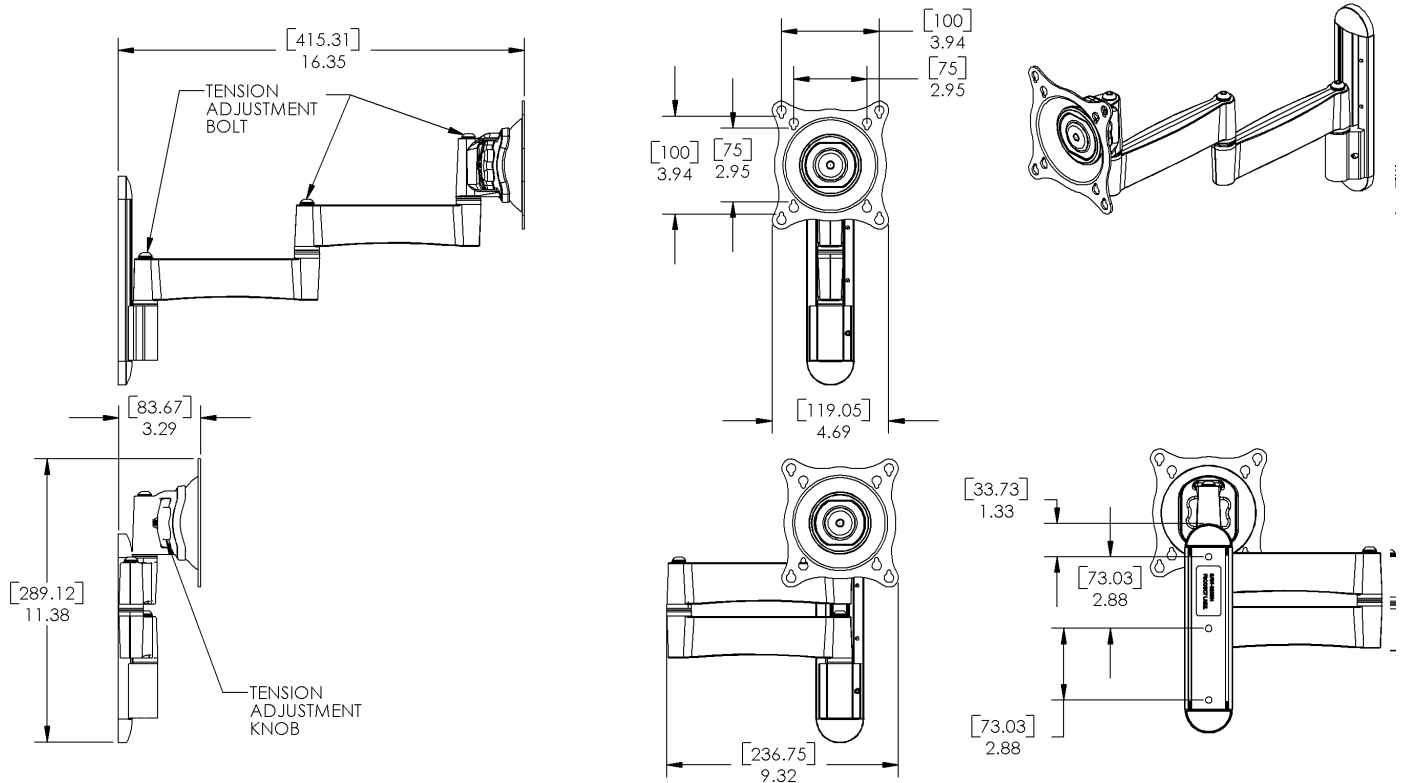
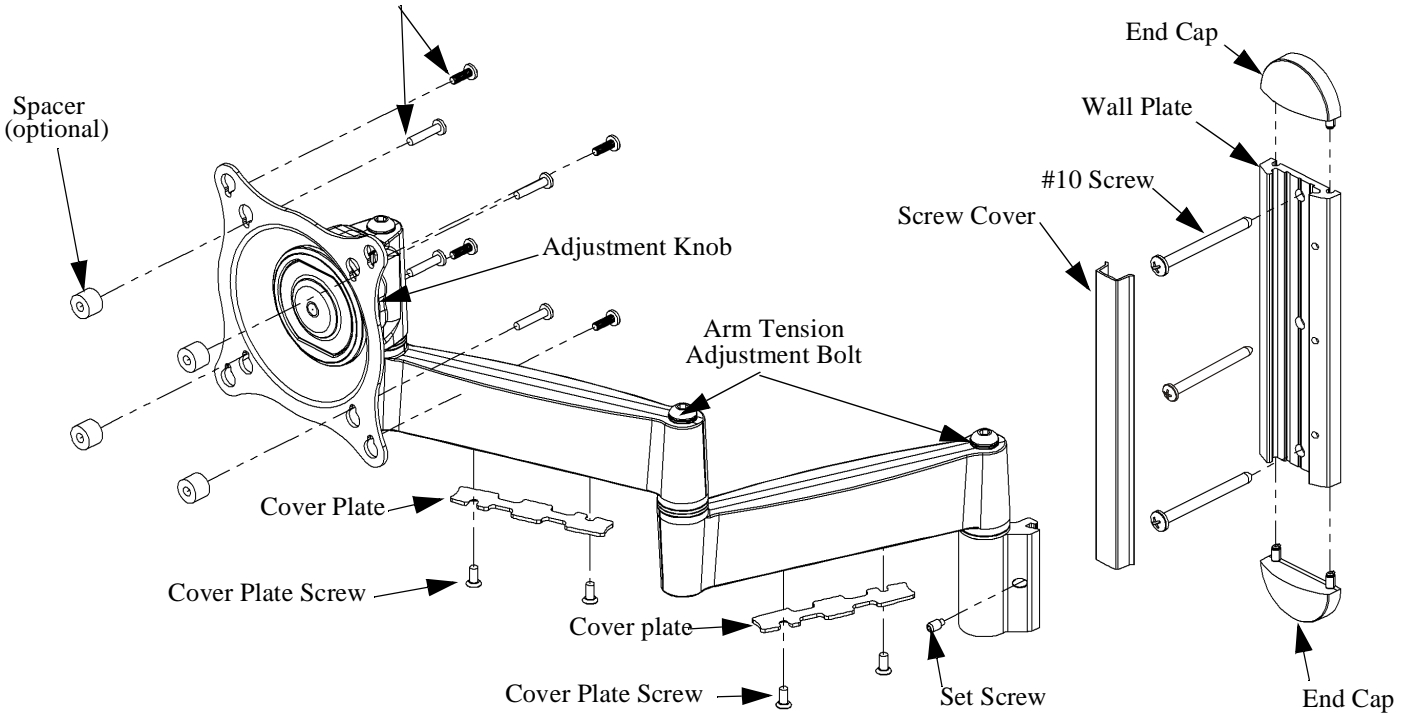
NOTE: Other tools may be required depending on the mounting surface and method of installation.

## CONTENTS

DRAWINGS .....	2
INSPECT THE UNIT BEFORE INSTALLING .....	3
iC-SP-DA1 INSTALLATION .....	3
CABLE MANAGEMENT .....	5
ADJUSTMENTS .....	5

# DRAWINGS

M4 X .7 X 12mm, 20mm or 30mm Phillips Pan Head Screw



## INSPECT THE UNIT BEFORE INSTALLING

**WARNING: Watch for pinch points. Do not put your fingers between movable parts.**

1. Carefully inspect the iC-SP-DA1 for shipping damage. If any damage is apparent, call your carrier claims agent and do not continue with the installation until the carrier has reviewed the damage.

**NOTE:** Read all instructions before starting installation.

2. Lay out components to ensure you have all the required parts before proceeding (see iC-SP-DA1 drawing on page 2).

## IC-SP-DA1 INSTALLATION

**WARNING: It is the responsibility of the installer to verify that the surface to which the iC-SP-DA1 is anchored will safely support the combined load of all attached components and equipment.**

1. Determine the exact mounting location prior to installation, considering the unit's swing radius.
2. Using the wall plate as a template, drill three 3/32" pilot holes to a minimum depth of 1 1/2" into wall stud.
3. Using three Phillips head #10 wood screws (supplied), secure the wall plate (see Figure 1).
4. Install screw cover (see Figure 2).
5. Check mount to insure it is level and adjust to level if necessary.
6. Determine if you are installing a VESA compliant flush mount display, VESA compliant recessed mount display or a non-VESA compliant display and follow the appropriate instructions.

### VESA Compliant Flush Mounting

**WARNING: Watch for pinch points. Do not put your fingers between movable parts.**

- A. Install the iC-SP-DA1 on the wall plate, set to desired height at one of the fixed height settings and secure by tightening the set screw (see Figure 3).
- B. Install the end caps on the iC-SP-DA1 wall plate (see Figure 4).

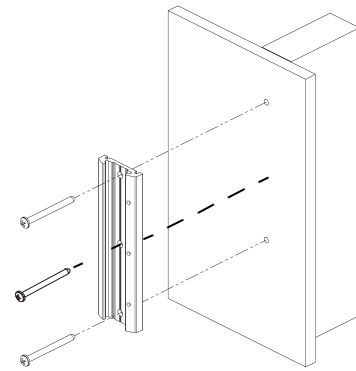


Figure 1. Secure Wall Plate

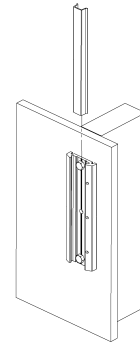


Figure 2. Install Screw Cover

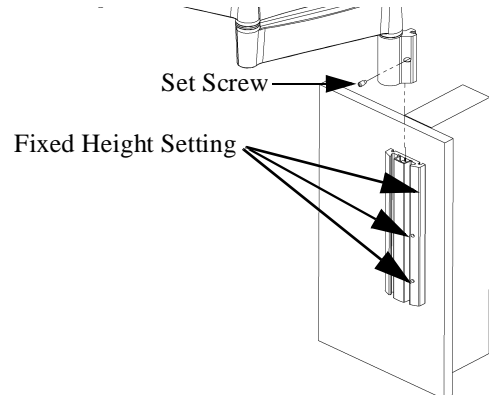


Figure 3. Install iC-SP-DA1 and Tighten Set Screw

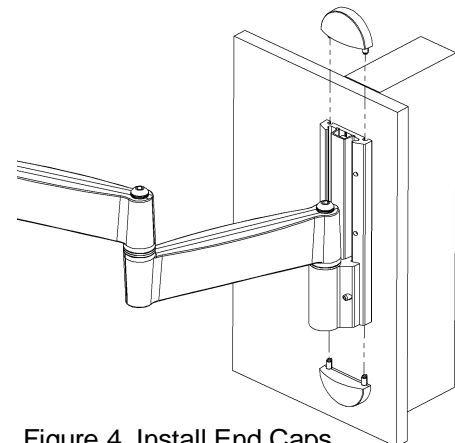


Figure 4. Install End Caps

**CAUTION:** If monitor uses a screw size other than M4, DO NOT use the M4 screws provided. Using the wrong screws could result in damage to your display.

- C. Start two M4 X .7 X 12mm Phillips pan head screws in the top mounting holes of your display (see Figure 5).
- D. Matching the hole pattern on your display with the hole pattern on the mount, hang the mount from the two screws started in the preceding step.
- E. Install two remaining Phillips pan head screws through the mount and into the mounting holes of your display.
- F. Secure your display to the mount by tightening the four Phillips pan head screws.

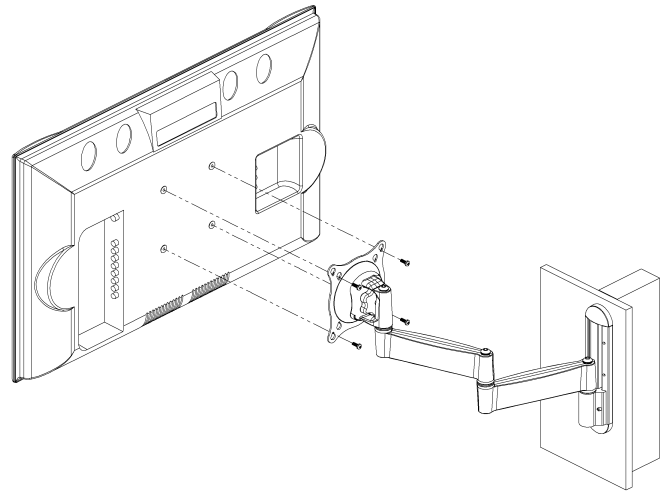


Figure 5. Flush Mounting

**WARNING:** Make sure your cables do not run through a pinch point.

- G. Connect and secure power/audio/video cables, making sure to leave sufficient slack to allow for movement of the display.

### VESA Compliant Recessed Mounting

- A. Place four 1/2" X 3/8" Nylon spacers or four 1/2" X 3/4" Nylon spacers, as necessary, over the mounting holes of your display (see Figure 6).
- B. Place the mount over the Nylon spacers, matching the hole pattern on your display (75mm or 100mm) with the hole pattern on the mount.
- C. Using four M4 X .7 X 20mm Phillips pan head screws for 1/2" X 3/8" Nylon spacer installation or four M4 X .7 X 30mm Phillips pan head screws for the 1/2" X 3/4" Nylon spacer installation, secure the mount to your display.

**WARNING:** Watch for pinch points. Do not put your fingers between movable parts.

- D. Install the iC-SP-DA1 on the wall plate, set to desired height at one of the fixed height settings and secure by tightening the set screw (see Figure 3).
- J. Install the end caps on the iC-SP-DA1 wall plate (see Figure 4).

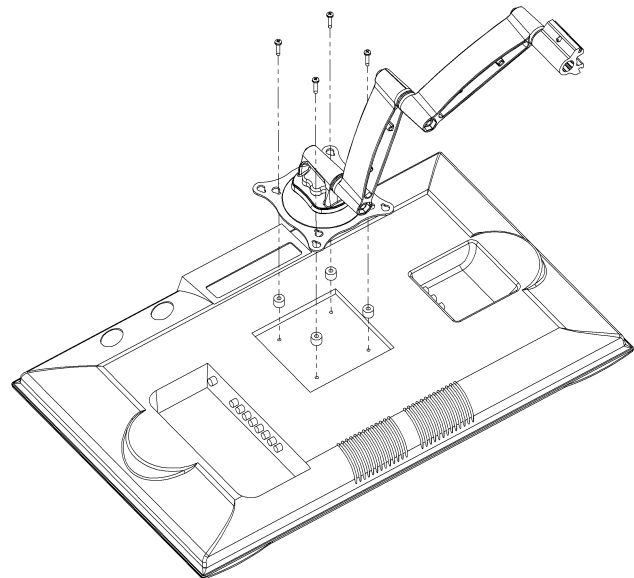


Figure 6. Recessed Mounting

**WARNING:** Make sure your cables do not run through a pinch point.

- E. Connect and secure power/audio/video cables, making sure to leave sufficient slack to allow for movement of the display.

### Non-VESA Compliant

- A. Contact Chief Manufacturing for custom interface brackets.

## CABLE MANAGEMENT

**WARNING: Make sure your cables do not run through a pinch point.**

1. Route power/audio/video cables under each arm, allowing sufficient slack in cables for extension and avoiding pinch points
2. Secure cables using cover plates and four screws (see Figure 7 and “DRAWINGS” on page 2).

## ADJUSTMENTS

**CAUTION: Overtightening adjustment will cause excessive wear.**

### Rotational Tilt, Pitch, and Roll Adjustment

1. If necessary, tighten or loosen the adjustment knob (see “DRAWINGS” on page 2).
2. Check for desired tension.
3. Repeat Steps 1 and 2 until desired tension is obtained.

### Arm Tension Adjustment

1. Using a 3/16” hex wrench (provided), slightly tighten or loosen arm tension adjustment bolt (see “DRAWINGS” on page 2).
2. Check for desired tension.
3. Repeat Steps 1 and 2 until desired tension is obtained.

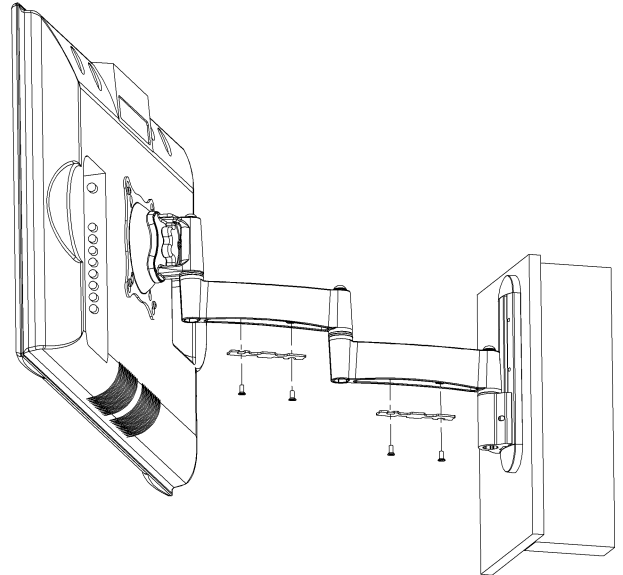


Figure 7. Cable Covers



**iC Mounting Solutions • 8401 Eagle Creek Parkway, Suite 700 • Savage, Minnesota 55378 USA  
US 800.572.1373 • International 952.277.3901 • [www.iCmounts.com](http://www.iCmounts.com)**

©2005 Chief Manufacturing Inc. The iC logo is a trademark of Chief Manufacturing Inc. All rights reserved.  
Patents and patents pending. Chief Manufacturing Inc., Savage, MN 55378, USA.

05/07  
8832-000072 (Rev. C)