

INTERNATIONAL TECHNICAL SERVICE BULLETIN
PWS BOLT REPLACEMENT

This bulletin provides the instructions for replacing the swing arm bolt on the PWS.

If you have questions, please contact Customer Service at 1-800-582-6480 and ask for Product Support.

BEFORE PROCEEDING, READ INSTRUCTIONS COMPLETELY

Kit Parts

(1) 3/8"-16 x 3 1/2" Grade 8 Bolt	(1) 3/8"-16 Stover Nut	(1) Loctite® Packet
-----------------------------------	------------------------	---------------------

Required Tools: Wrench Set Other tools as required

INSTRUCTIONS

1. With the aid of another individual, remove the display from the PWS.
2. Support the mounting plate and swing arm of the PWS (see Figure 1).
3. Remove the nut, bolt and two washers (see Figure 1, Detail A).
4. Retain the two washers for assembly.
5. Discard the nut removed during Step 3.
6. Install a washer (retained) on the new black bolt (supplied).
7. Place one drop of Loctite (supplied) on the bottom four threads of the new bolt.
8. Install the new bolt, with washer, as shown in Detail A.
9. Install a washer (retained) on the bottom of the bolt.
10. Install the new Stover nut (supplied), finger tight, as shown in Detail A.

WARNING! DO NOT OVERTIGHTEN BOLT. IF YOU OVERTIGHTEN THE BOLT, IT MAY RESULT IN EQUIPMENT DAMAGE OR PERSONAL INJURY.

11. While holding the nut stationary, use a wrench to turn the bolt ONE full revolution.
DO NOT EXCEED 1 1/2 REVOLUTIONS!

12. Install the PWS.

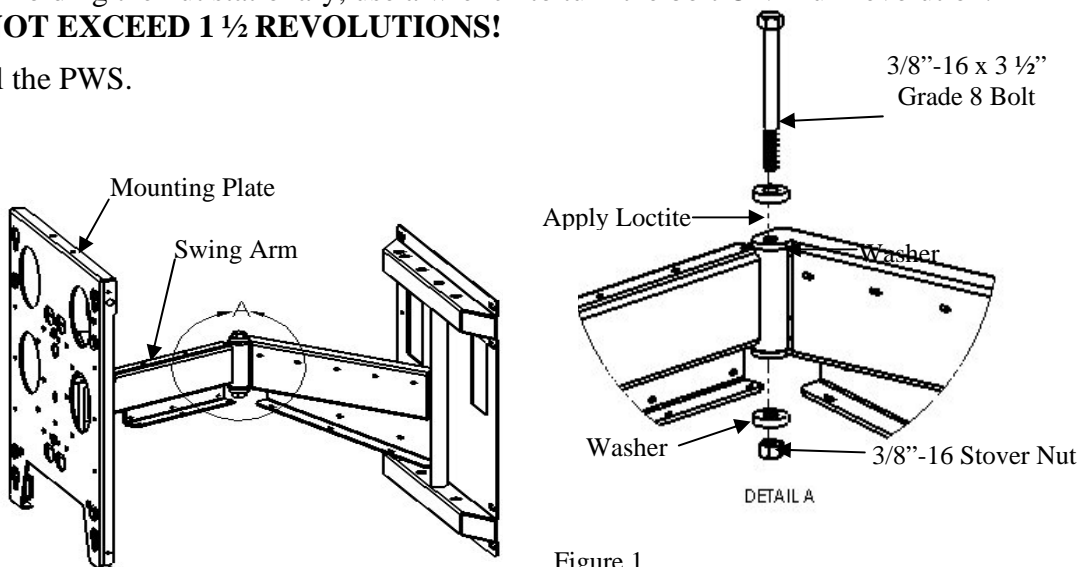


Figure 1.