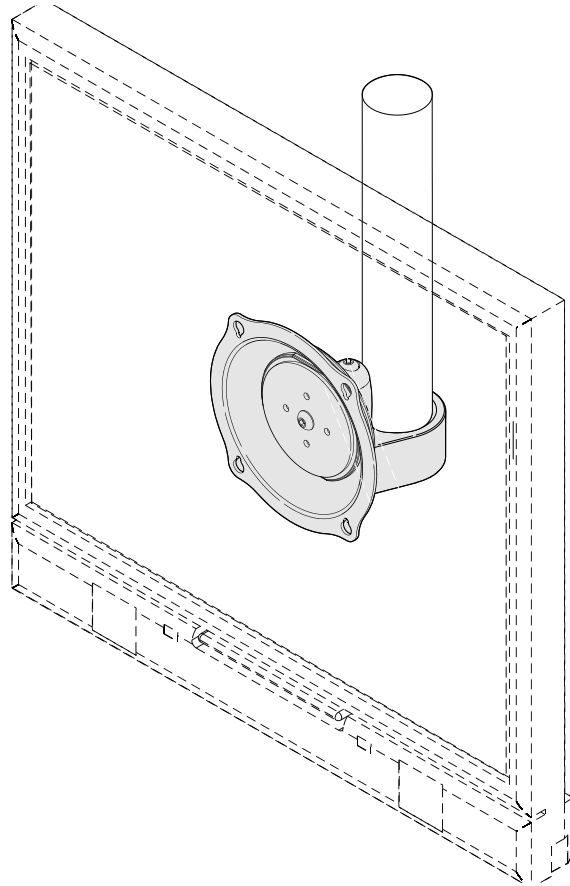

INSTALLATION INSTRUCTIONS



Direct Attach Ceiling Mount

DISCLAIMER

CSAV, Inc., and its affiliated corporations and subsidiaries (collectively, "CSAV"), intend to make this manual accurate and complete. However, CSAV makes no claim that the information contained herein covers all details, conditions or variations, nor does it provide for every possible contingency in connection with the installation or use of this product. The information contained in this document is subject to change without notice or obligation of any kind. CSAV makes no representation of warranty, expressed or implied, regarding the information contained herein. CSAV assumes no responsibility for accuracy, completeness or sufficiency of the information contained in this document.

IMPORTANT WARNINGS AND CAUTIONS!



WARNING: A WARNING alerts you to the possibility of serious injury or death if you do not follow the instructions.



CAUTION: A CAUTION alerts you to the possibility of damage or destruction of equipment if you do not follow the corresponding instructions.



WARNING: Failure to read, thoroughly understand, and follow all instructions can result in serious personal injury, damage to equipment, or voiding of factory warranty! It is the installer's responsibility to make sure all components are properly assembled and installed using the instructions provided.

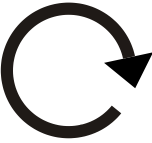



WARNING: Failure to provide adequate structural strength for this component can result in serious personal injury or damage to equipment! It is the installer's responsibility to make sure the structure to which this component is attached can support five times the combined weight of all equipment. Reinforce the structure as required before installing the component.

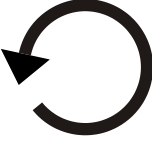


WARNING: Exceeding the weight capacity of the mount can result in serious personal injury or damage to equipment! It is the installer's responsibility to make sure the combined weight of the mount and all attached components does not exceed 75lbs (34.02kg).

LEGEND

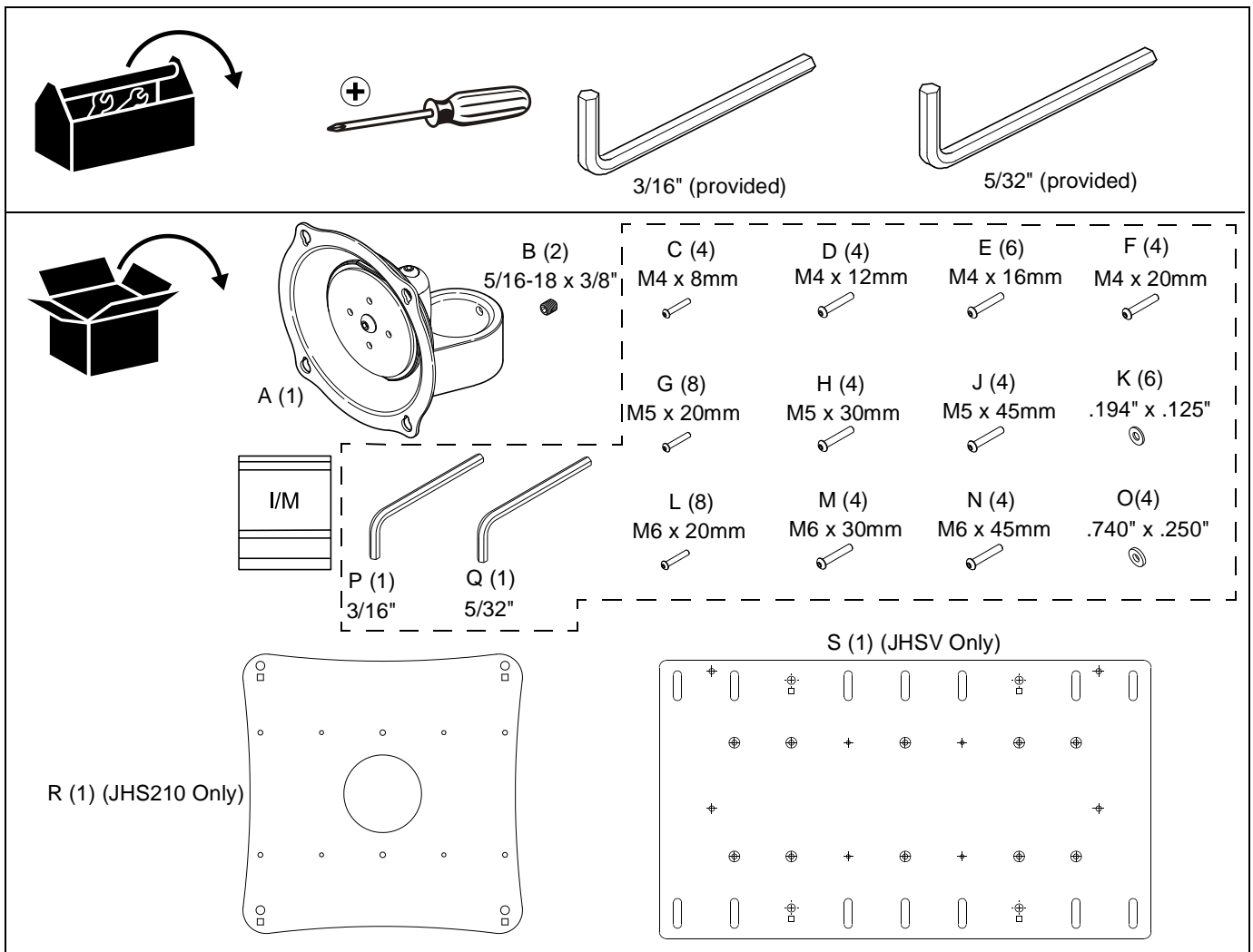
	Tighten Fastener
	Apretar elemento de fijación
	Befestigungsteil festziehen
	Apertar fixador
	Serrare il fissaggio
	Bevestiging vastdraaien
	Serrez les fixations
Сожмите Застежку	

	Phillips Screwdriver
	Destornillador Phillips
	Kreuzschlitzschraubendreher
	Chave de fendas Phillips
	Cacciavite a stella
	Kruiskopschroevendraaier
	Tournevis à pointe cruciforme
Отвертка	

	Loosen Fastener
	Aflojar elemento de fijación
	Befestigungsteil lösen
	Desapertar fixador
	Allentare il fissaggio
	Bevestiging losdraaien
	Desserrez les fixations
Ослабьте Застежку	

	Hex-Head Wrench
	Llave de cabeza hexagonal
	Sechskantschlüssel
	Chave de cabeça sextavada
	Chiave esagonale
	Zeskantsleutel
	Clé à tête hexagonale
Ключ с шестигранной головкой	

TOOLS REQUIRED FOR INSTALLATION AND PARTS



TOOLS:

- Phillips Screwdriver
- Hex-Head Wrench (3/16" provided)
- Hex-Head Wrench (5/32" provided)

PARTS LIST:

A (1) 5/16-18 x 3/8"	B (2) 5/16-18 x 3/8"	C (4) M4 x 8mm	D (4) M4 x 12mm	E (6) M4 x 16mm	F (4) M4 x 20mm
G (8) M5 x 20mm	H (4) M5 x 30mm	J (4) M5 x 45mm	K (6) .194" x .125"		
L (8) M6 x 20mm	M (4) M6 x 30mm	N (4) M6 x 45mm	O (4) .740" x .250"		
P (1) 3/16"	Q (1) 5/32"				
R (1) (JHS210 Only)	S (1) (JHSV Only)				

INSTALLATION

Mount Installation

IMPORTANT ! : The following installation instructions assume that a 1 1/2" NPT pipe has been properly installed and is in place.

1. Thread mount (A) onto 1 1/2" NPT pipe until hand tight.
2. Adjust mount (A) position until Centris cup is facing the desired position of the display. (See Figure 1)

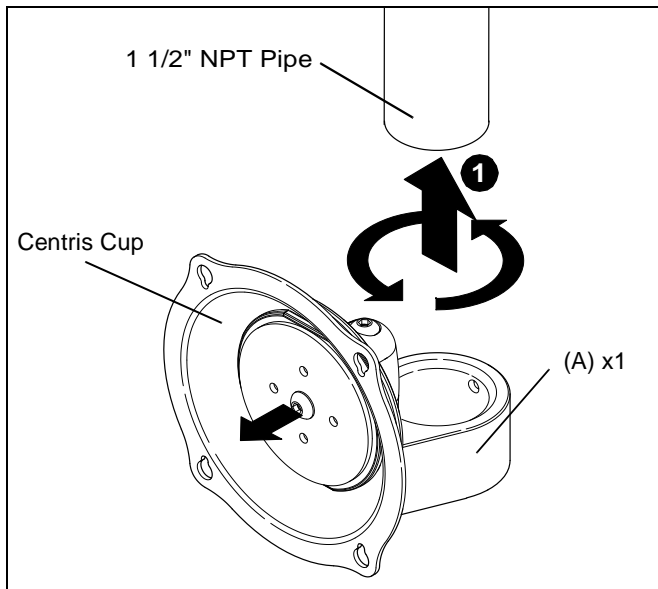


Figure 1

3. When mount (A) is properly positioned secure mount (A) to 1 1/2" NPT pipe by installing and tightening 5/16-18 x 3/8" set screw using 3/16" hex wrench (H). (See Figure 2)

NOTE: If mount is being used to couple two pipes, use both set screws when securing mount (A) to pipes.

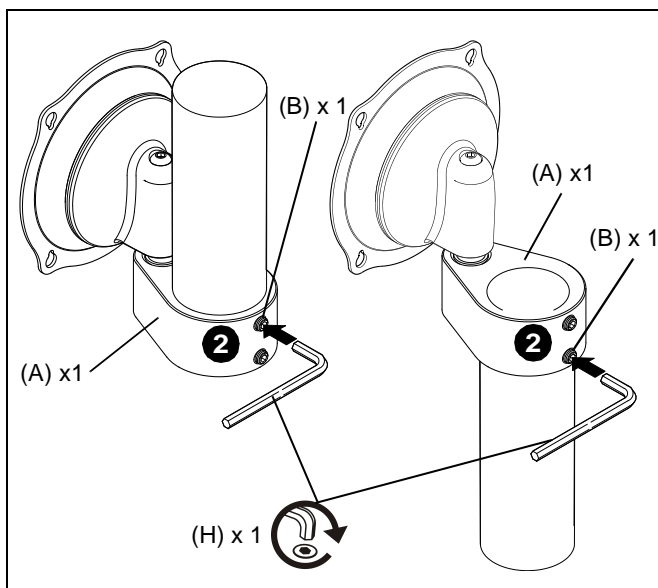


Figure 2

Display Installation

1. Determine mounting pattern on display. (See Figure 1)



WARNING: IMPROPER INSTALLATION CAN LEAD TO EQUIPMENT FALLING CAUSING SERIOUS PERSONAL INJURY AND DAMAGE TO EQUIPMENT! DO NOT substitute hardware. Use only hardware supplied by manufacturer!



WARNING: IMPROPER INSTALLATION CAN LEAD TO ELECTRIC SHOCK OR DAMAGE TO EQUIPMENT! Screw length must not exceed the depth of threaded mounting insert in display.



WARNING: OVERTIGHTENING OF SCREWS CAN DAMAGE PARTS AND LEAD TO SERIOUS PERSONAL INJURY AND DAMAGE TO EQUIPMENT! DO NOT over tighten screws when installing interface bracket.

JHS210 Display Installation

NOTE: If the display being installed has a 100x100 VESA mounting pattern, no interface bracket is required and the display can be mounted directly to the Centris cup.

Attach VESA Bracket to Display

1. Lay display face down on a clean and dry flat surface.
2. Attach VESA Plate (R) to display using appropriate screws (D, E, F, G, H, L, M, N). (See Figure 3)

NOTE: If the display has a recessed mounting surface, spacers (K or O) between the display and VESA plate (R) may be required.

3. Tighten all screws.

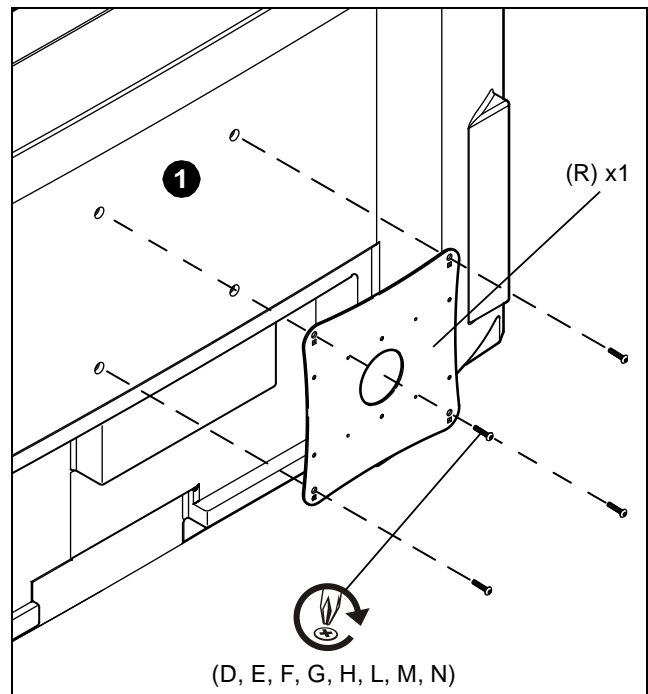


Figure 3

Attach Display to Mount

1. Start two Phillips pan head screws into top mounting holes on VESA plate (R). (See Figure 4)
2. Align two screws in VESA plate (R) with upper mounting holes in Centris cup and lower display until screws are seated in lower area of teardrop mounting holes. (See Figure 4)

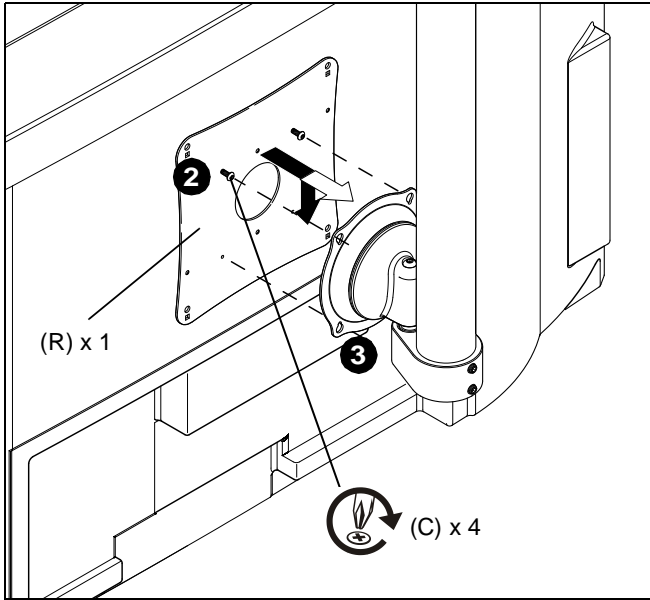


Figure 4

3. Hold display so that display back is against Centris cup and install two Phillips pan head machine screws (C,D, or E) through lower mounting holes in Centris cup and into lower mounting holes in VESA plate (R). (See Figure 5)

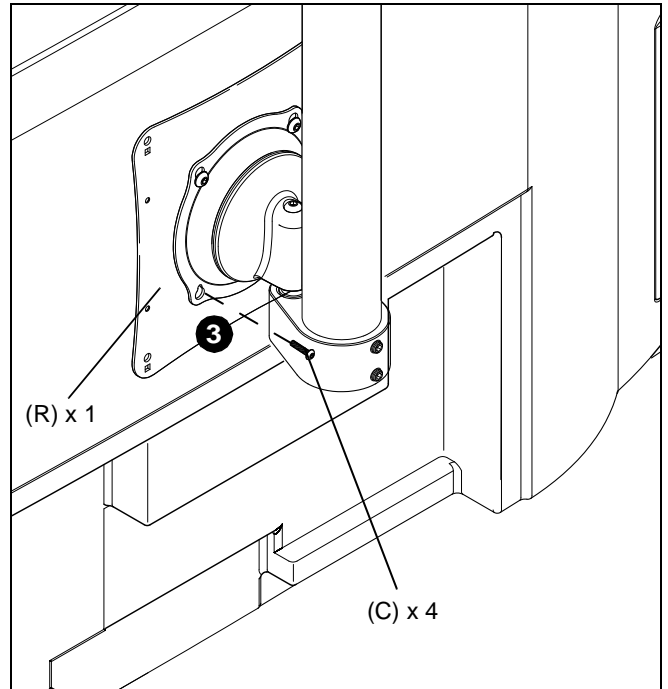


Figure 5

4. Route cables and wires to display.

JHSV Display Installation

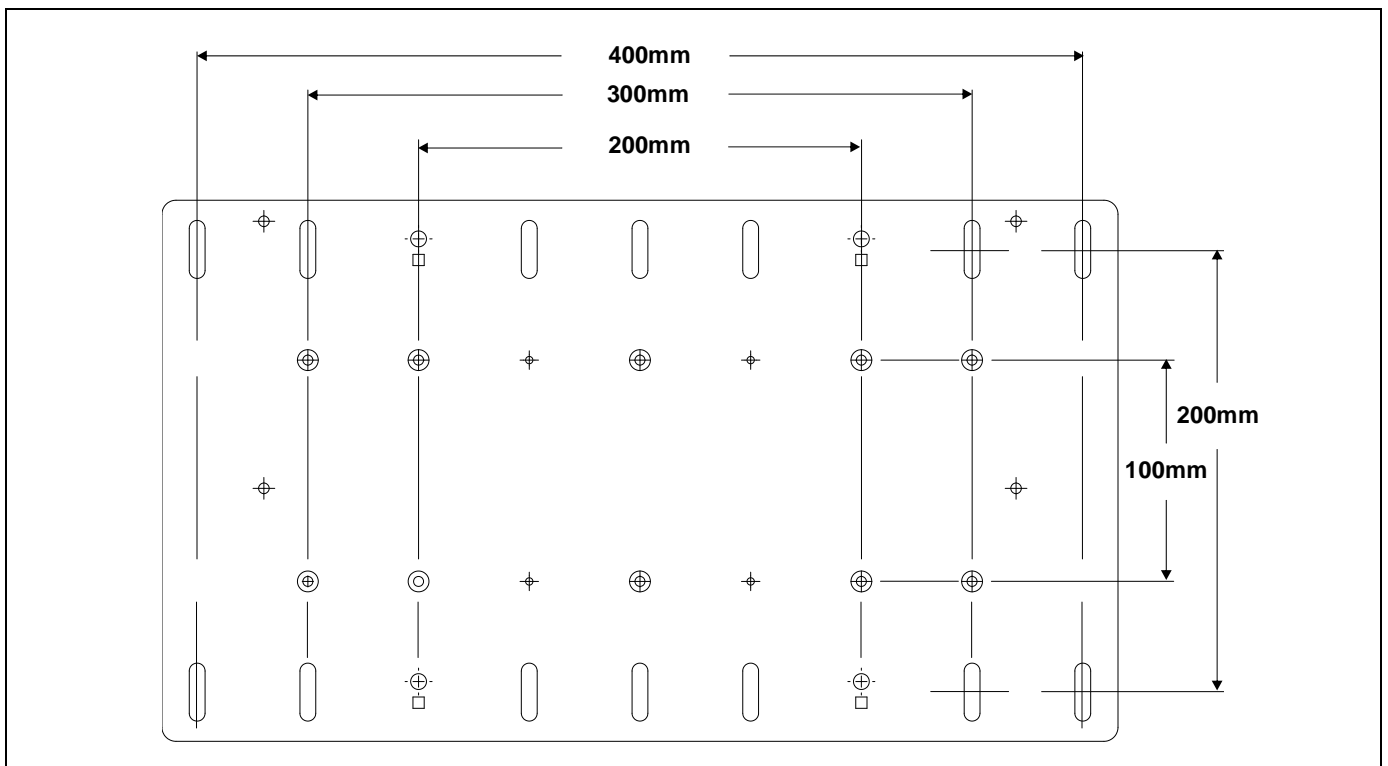


Figure 6

Attach Interface Bracket to Display

1. Lay display face down on a clean and dry flat surface.
2. Attach Interface Bracket (S) to display using appropriate screws (D, E, F, G, H, L, M, N). (See Figure 3)

NOTE: If the display has a recessed mounting surface, spacers (K or O) between the display and Interface Bracket (S) may be required.

3. Tighten all screws.

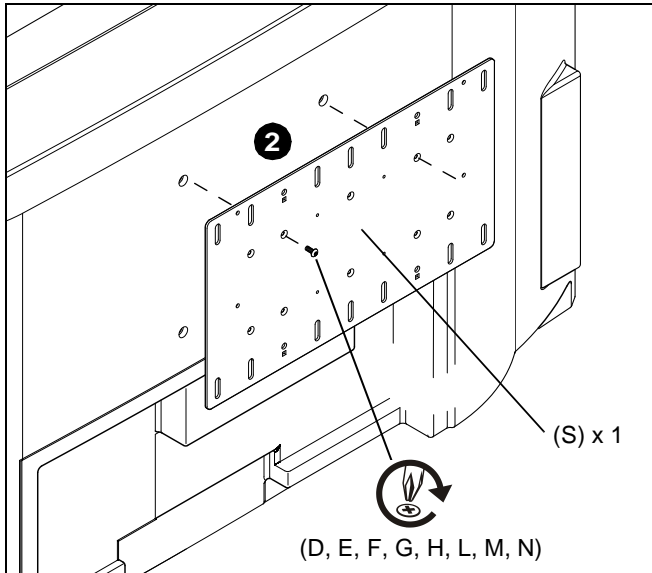


Figure 7

Attach Display to Mount

1. Start two Phillips pan head screws (C) into top mounting holes on interface bracket (S). (See Figure 8)
2. Align two screws in interface bracket (S) with upper mounting holes in Centris cup and lower display until screws are seated in lower area of teardrop mounting holes. (See Figure 8)

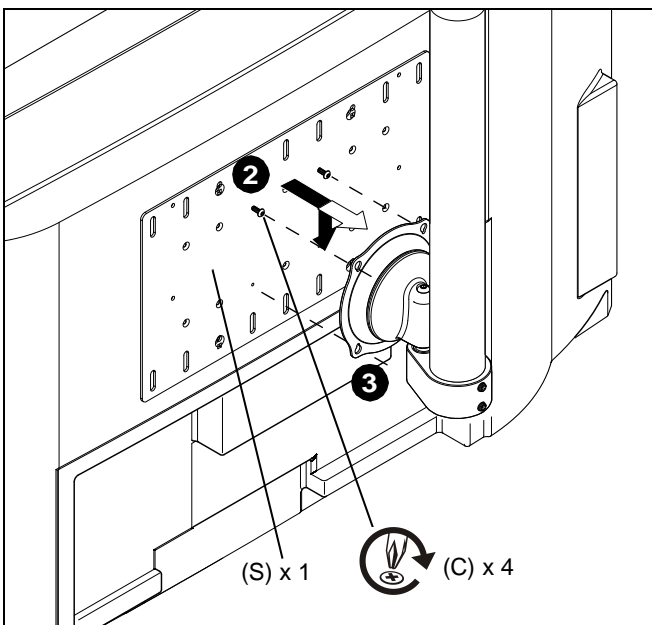


Figure 8

3. Hold display so that display back is against Centris cup and install two Phillips pan head machine screws (C) through lower mounting holes in Centris cup and into lower mounting holes in interface bracket (S). (See Figure 9)

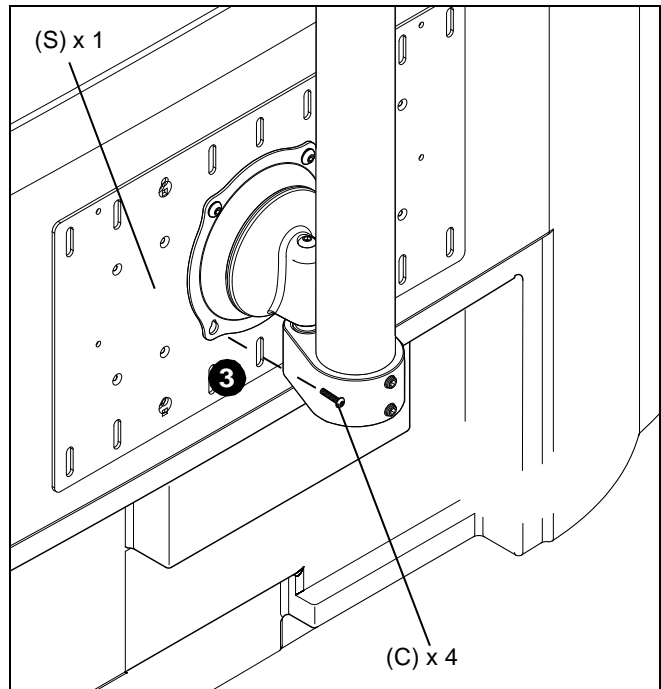


Figure 9

4. Route cables and wires to display.

ADJUSTMENTS

To adjust display Roll, Pitch, and YAW tension:

1. Disconnect all wires and cable from the display.
2. Remove two *Lower* screws securing display to Centris cup.
3. Loosen two *Upper* screws securing display.
4. Lift display upward and away from mount.
5. Using a Phillips screwdriver turn the tension adjustment screw clockwise to increase tension, or counter-clockwise to decrease tension. (See Figure 10)
6. Re-install display.

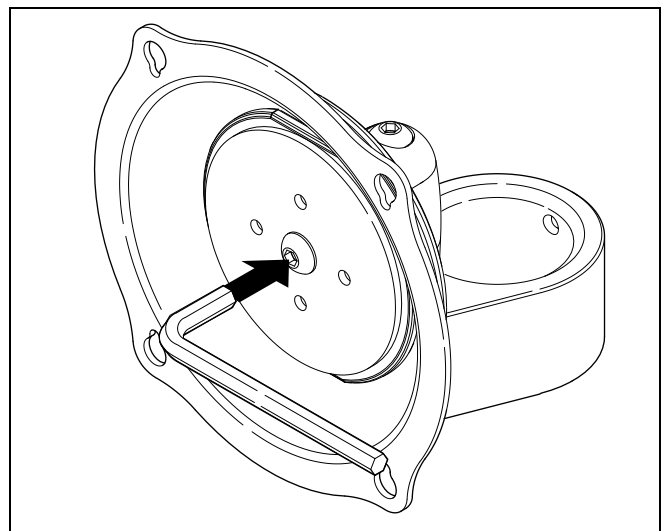


Figure 10



8805-000220
©2007 Chief Manufacturing
www.chiefmfg.com
01/07

USA/International	A 8401 Eagle Creek Parkway, Savage, MN 55378 P 800.582.6480 / 952.894.6280 F 877.894.6918 / 952.894.6918
Europe	A Fellenoord 130 5611 ZB EINDHOVEN, The Netherlands P +31 40 2668620 F +31 (0) 40 2668615
Asia Pacific	A Room 30I, Block D, Lily YinDu International Building LuoGang, BuJi Town, Shenzhen, CHINA. Post Code: 518112 深圳市布吉罗岗百合银都国际大厦D栋30I P +86-755-8996 9226 ; 8996 9236 ; 8996 9220 F +86-755-8996 9217