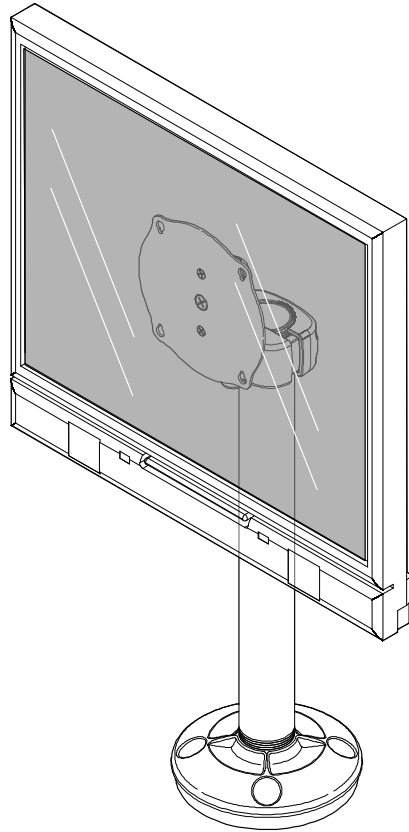


---

# INSTALLATION INSTRUCTIONS

---



---

## Swivel Stand Display Mount

---

**DISCLAIMER**

Milestone AV Technologies, Inc., and its affiliated corporations and subsidiaries (collectively, "Milestone"), intend to make this manual accurate and complete. However, Milestone makes no claim that the information contained herein covers all details, conditions or variations, nor does it provide for every possible contingency in connection with the installation or use of this product. The information contained in this document is subject to change without notice or obligation of any kind. Milestone makes no representation of warranty, expressed or implied, regarding the information contained herein. Milestone assumes no responsibility for accuracy, completeness or sufficiency of the information contained in this document.

**! IMPORTANT WARNINGS AND CAUTIONS!**

**! WARNING:** A WARNING alerts you to the possibility of serious injury or death if you do not follow the instructions.

**! CAUTION:** A CAUTION alerts you to the possibility of damage or destruction of equipment if you do not follow the corresponding instructions.

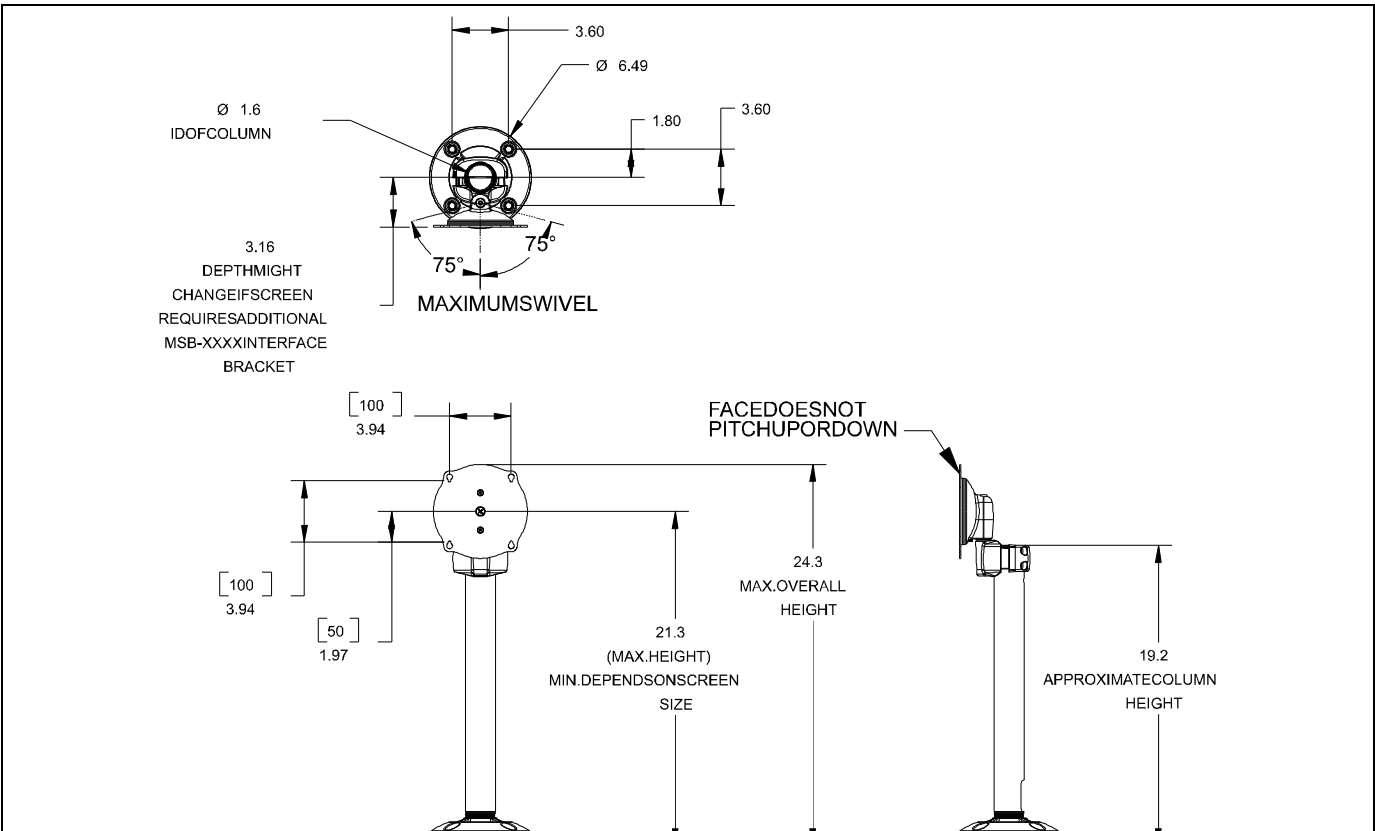
**! WARNING:** Failure to read, thoroughly understand, and follow all instructions can result in serious personal injury, damage to equipment, or voiding of factory warranty! It is the installer's responsibility to make sure all components are properly assembled and installed using the instructions provided.

**! WARNING:** Failure to provide adequate structural strength for this component can result in serious personal injury or damage to equipment! It is the installer's responsibility to make sure the structure to which this component is attached can support five times the combined weight of all equipment. Reinforce the structure as required before installing the component.

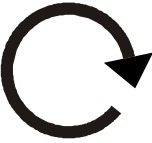
**! WARNING:** Exceeding the weight capacity can result in serious personal injury or damage to equipment! It is the installer's responsibility to make sure the combined weight of all components attached to this accessory does not exceed 75 lbs (34 kg).

Chief® is a trademark of Milestone AV Technologies, Inc. All rights reserved.


**DIMENSIONS**




**LEGEND**



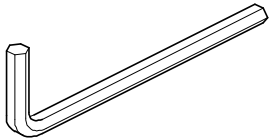
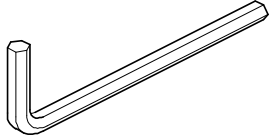

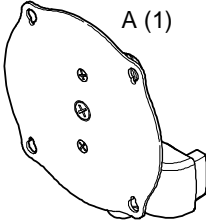




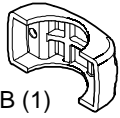




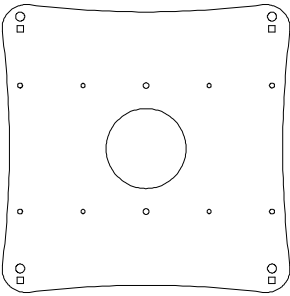




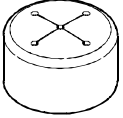
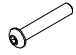

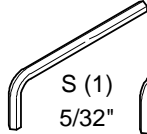
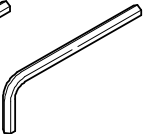
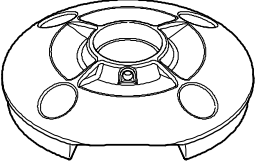
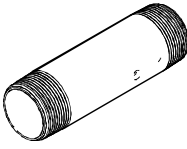
	<b>Tighten Fastener</b>
	Apretar elemento de fijación
	Befestigungsteil festziehen
	Apertar fixador
	Serrare il fissaggio
	Bevestiging vastdraaien
Serrez les fixations	

	<b>By Hand</b>
	A mano
	Von Hand
	Com a mão
	A mano
	Met de hand
À la main	

	<b>Loosen Fastener</b>
	Aflojar elemento de fijación
	Befestigungsteil lösen
	Desapertar fixador
	Allentare il fissaggio
	Bevestiging losdraaien
Desserrez les fixations	

	<b>Phillips Screwdriver</b>
	Destornillador Phillips
	Kreuzschlitzschraubendreher
	Chave de fendas Phillips
	Cacciavite a stella
	Kruiskopschroevendraaier
Tournevis à pointe cruciforme	

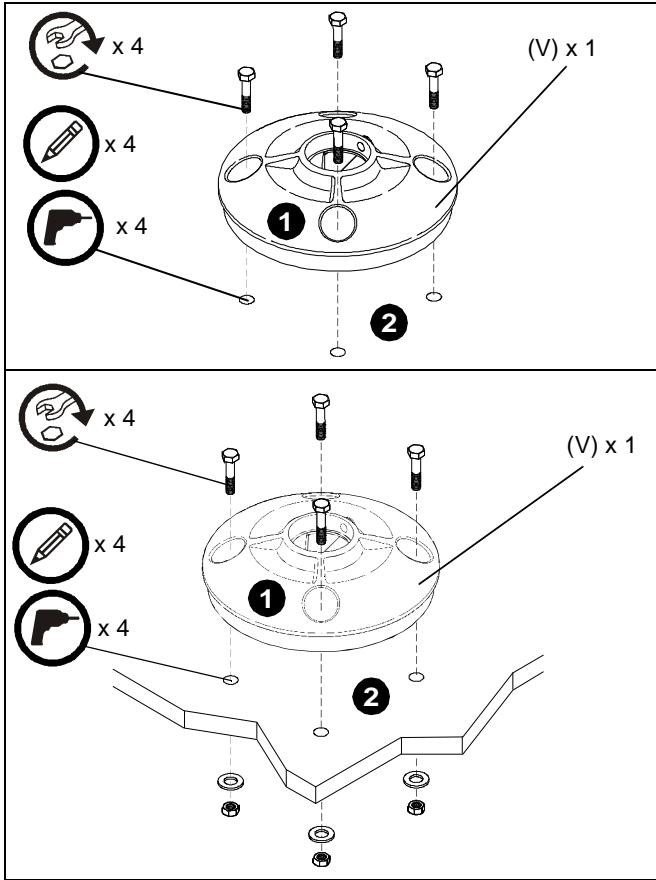
**TOOLS REQUIRED FOR INSTALLATION AND PARTS**

					
		3/16" (provided)	5/32" (provided)		
					
	A (1)	C (4) M4 x 8mm	D (4) M4 x 12mm	E (6) M4 x 16mm	F (4) M4 x 20mm
					
	B (1)	G (4) M5 x 20mm	H (4) M5 x 30mm	J (4) M5 x 45mm	K (6) .194" x .125"
					
	T (1)	L (8) M6 x 20mm	M (4) M6 x 30mm	N (4) M6 x 45mm	O (4) .740" x .250"
					
	U (1)	P (3) 1/4-20 x 1-1/4"	Q (4) 10-24	R (1) 3/16"	S (1) 5/32"
					
	V (1)			W (1)	

**Assembly And Installation**

**WARNING:** IMPROPER INSTALLATION CAN LEAD TO DISPLAY FALLING CAUSING SERIOUS PERSONAL INJURY OR DAMAGE TO EQUIPMENT! DO NOT substitute hardware! Use only hardware provided by manufacturer.

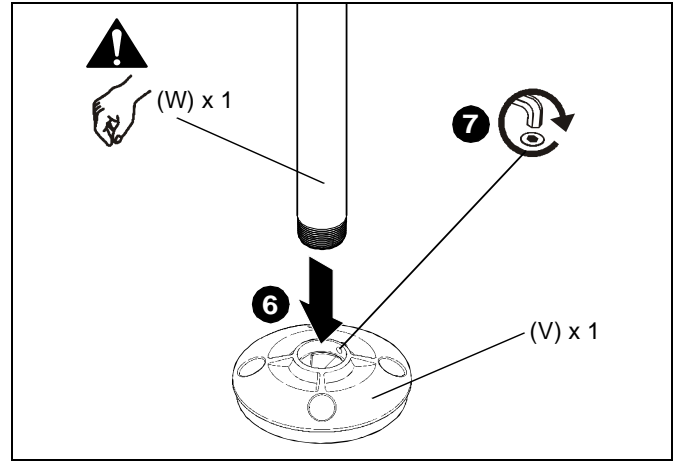
1. Identify desired mounting location taking into consideration display size and mount range of motion.
2. Orient base (V) so that cable management opening is properly positioned. (See Figure 1)
3. Using a pencil, or similar marking tool, mark the location of mounting holes in base onto surface. (See Figure 1)
4. Drill four pilot holes, if using lag bolts or four thru holes if using bolts into the mounting surface at marked locations.
5. Reposition base over holes in mounting surface and secure base to mounting surface using either four 5/16" x 3/4" lag bolts or four 5/16" x 3/4" hex head cap screws, four flat washers, and four 5/16" nuts. (Length of lag bolts or cap screws is determined by thickness of mounting surface.)



**Figure 1**

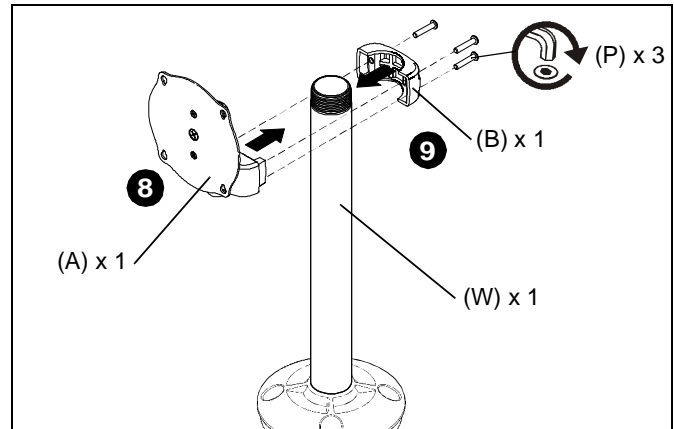
6. Thread mounting post (W) into base (V) until tight.

**CAUTION:** OVERTIGHTENING MOUNTING POST CAN DAMAGE POST OR BASE! DO NOT use a wrench to tighten mounting post. Tighten to hand tight only.



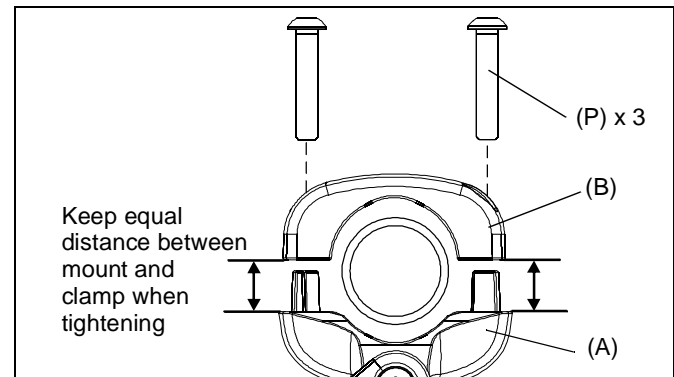
**Figure 2**

7. Using a hex wrench, tighten set screw to secure mounting post (W) to base (V).
8. Orient front clamp (A) so that display mounting plate is facing approximate desired location. (See Figure 3)
9. Align front and rear pole clamps and loosely secure to one another using three button head cap screws (P). (See Figure 3)



**Figure 3**

**NOTE:** Equally tighten screws (P) against rear clamp (B) and front clamp (A). (See Figure 4)



**Figure 4**

10. Secure rear clamp to front clamp by tightening three button head cap screws (P).

## Display Installation

### VESA 100 x 100 Pattern

1. Partially install two screws (D) into upper mounting holes in display back. (See Figure 5)

**NOTE:** Leave at least 1/8" of each screw protruding out back of display.

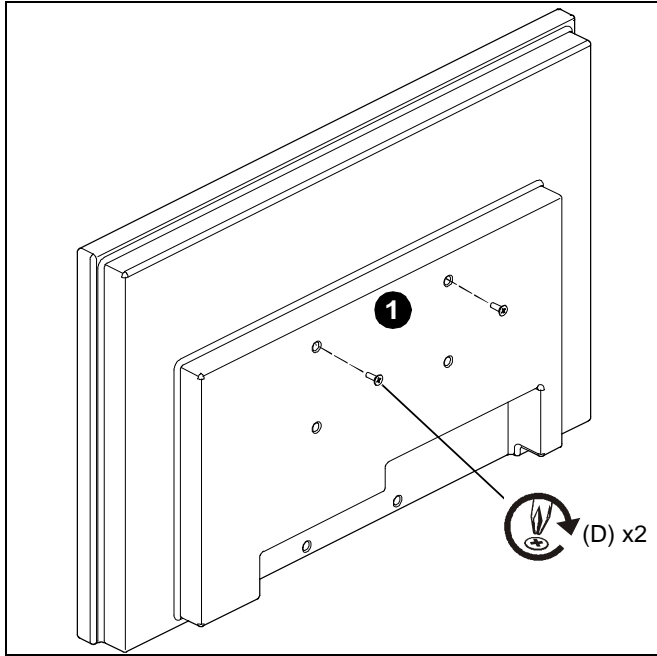


Figure 5

2. Align two screws in display back with upper teardrop mounting holes in mounting plate.
3. Place two screws in display back into upper teardrop mounting holes in display mounting plate and lower display until screws are seated in lower area of teardrop mounting holes. (See Figure 6)

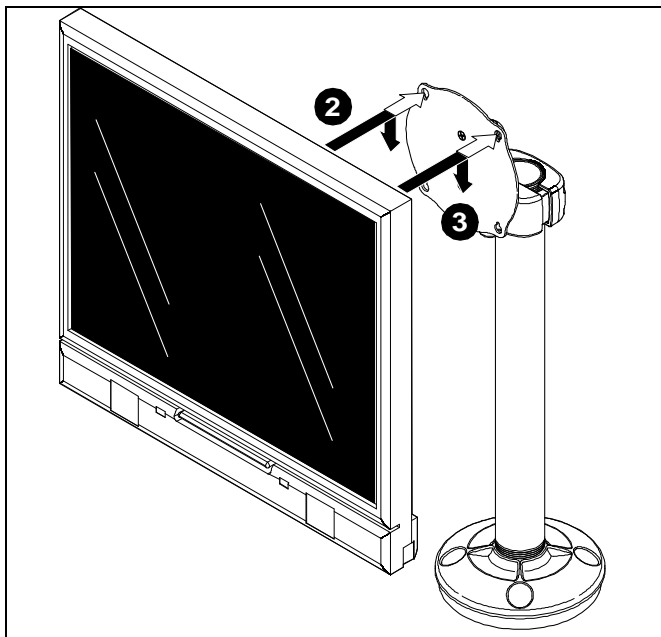


Figure 6

4. Install two screws (D) through display mounting plate and into lower mounting holes in display back. (See Figure 7)
5. Tighten all hardware.

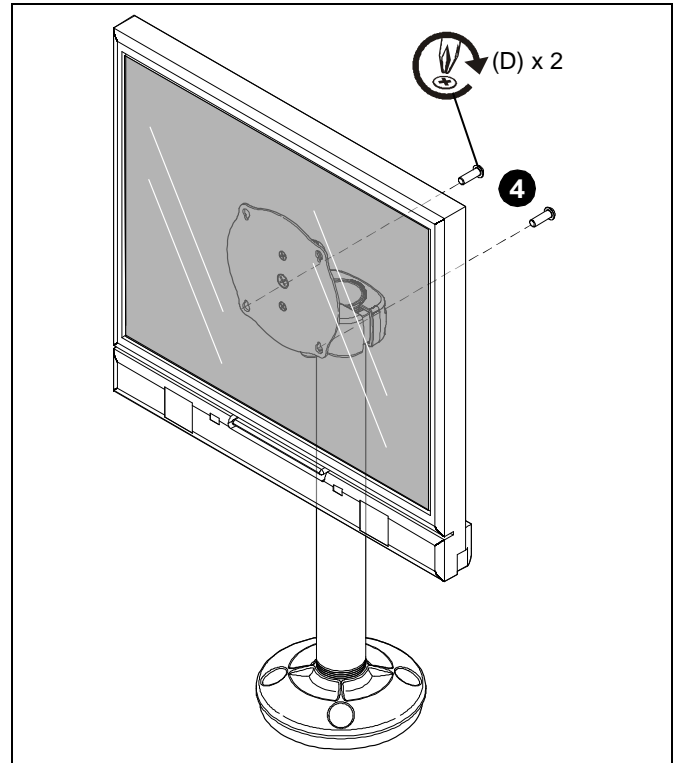


Figure 7

### VESA 200 x 100 and 200 x 200 Patterns

If the display being installed has a VESA mounting hole pattern of 200 x 100 or 200 x 200, the interface bracket provided must be used during installation.

To install interface bracket:

1. Lay display face down on a clean and dry flat surface.
2. Place .125" spacers (K) over each mounting hole in back of display. (See Figure 8)
3. Attach interface bracket (T) to display using four screws (D, E, F, G, H, L, M, N). (See Figure 8)

**NOTE:** If the display has a recessed mounting surface, spacers (K or O) between the display and interface bracket (T) may be required. (See Figure 8)

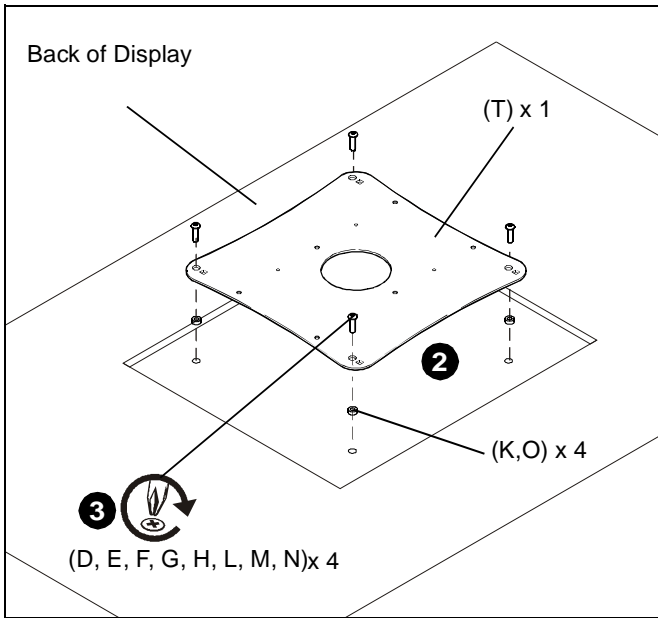


Figure 8

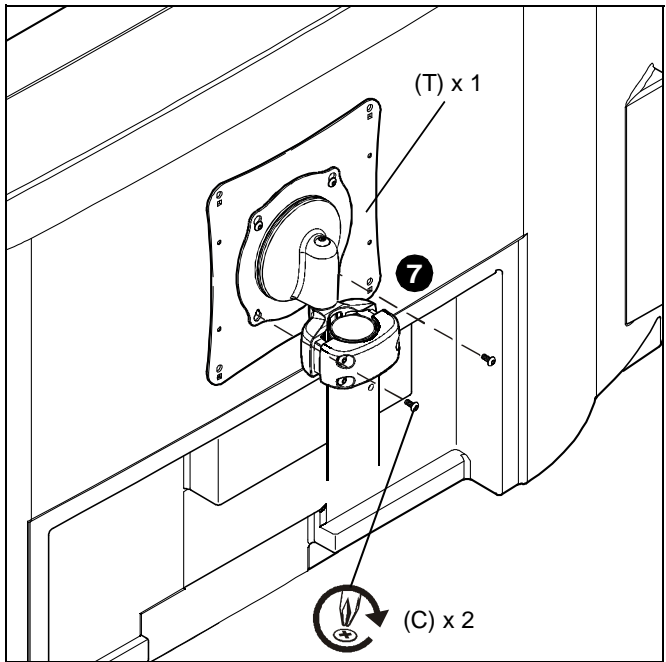


Figure 10

4. Tighten all hardware.
5. Start two Phillips pan head screws (C) into top mounting holes (100 x 100) in interface bracket (T). (See Figure 9)
6. Align two screws in interface bracket (T) with upper mounting holes in mounting plate and lower display until screws are seated in lower area of teardrop mounting holes. (See Figure 9)

**ADJUSTMENTS**

1. Loosen right button head cap screw and adjust display position. (See Figure 11)
2. Tighten button head cap screw.

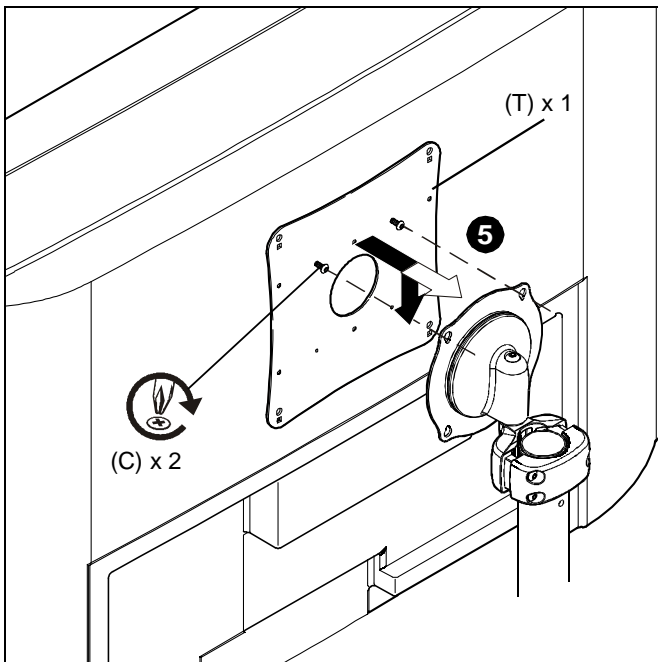


Figure 9

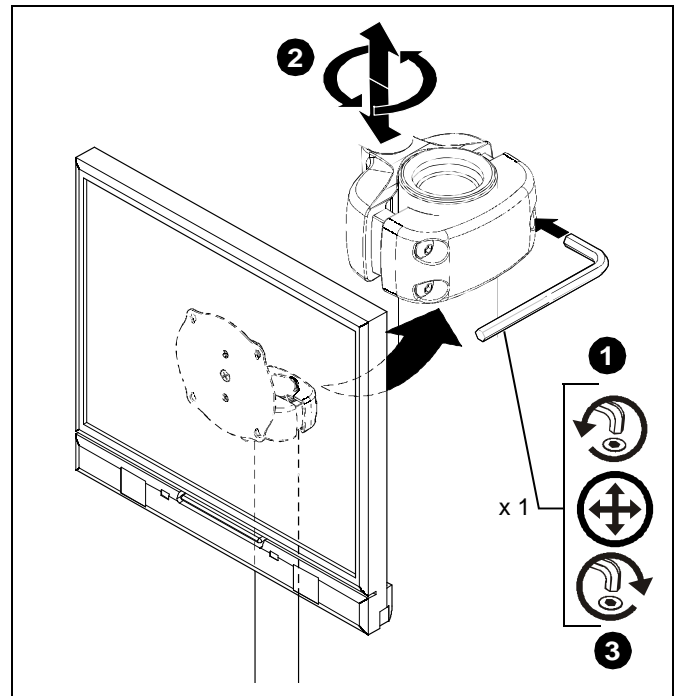


Figure 11

7. Hold display so that interface bracket is against mounting plate and install two Phillips pan head machine screws (C) through lower mounting holes in mounting plate and into lower mounting holes in interface bracket. (See Figure 10)





Chief Manufacturing, a division of  
Milestone AV Technologies

8832-000191 Rev.A  
©2008 Milestone AV Technologies  
[www.chiefmfg.com](http://www.chiefmfg.com)  
04/08

<b>USA/International</b>	<b>A</b> 8401 Eagle Creek Parkway, Savage, MN 55378 <b>P</b> 800.582.6480 / 952.894.6280 <b>F</b> 877.894.6918 / 952.894.6918
<b>Europe</b>	<b>A</b> Fellenoord 130 5611 ZB EINDHOVEN, The Netherlands <b>P</b> +31 (0)40 2668620 <b>F</b> +31 (0)40 2668615
<b>Asia Pacific</b>	<b>A</b> Room 24F, Block D, Lily YinDu International Building LuoGang, BuJi Town, Shenzhen, CHINA. 深圳市布吉罗岗村百合银都国际大厦D栋24F <b>P</b> +86-755-8996 9226 <b>F</b> +86-755-8996 9217