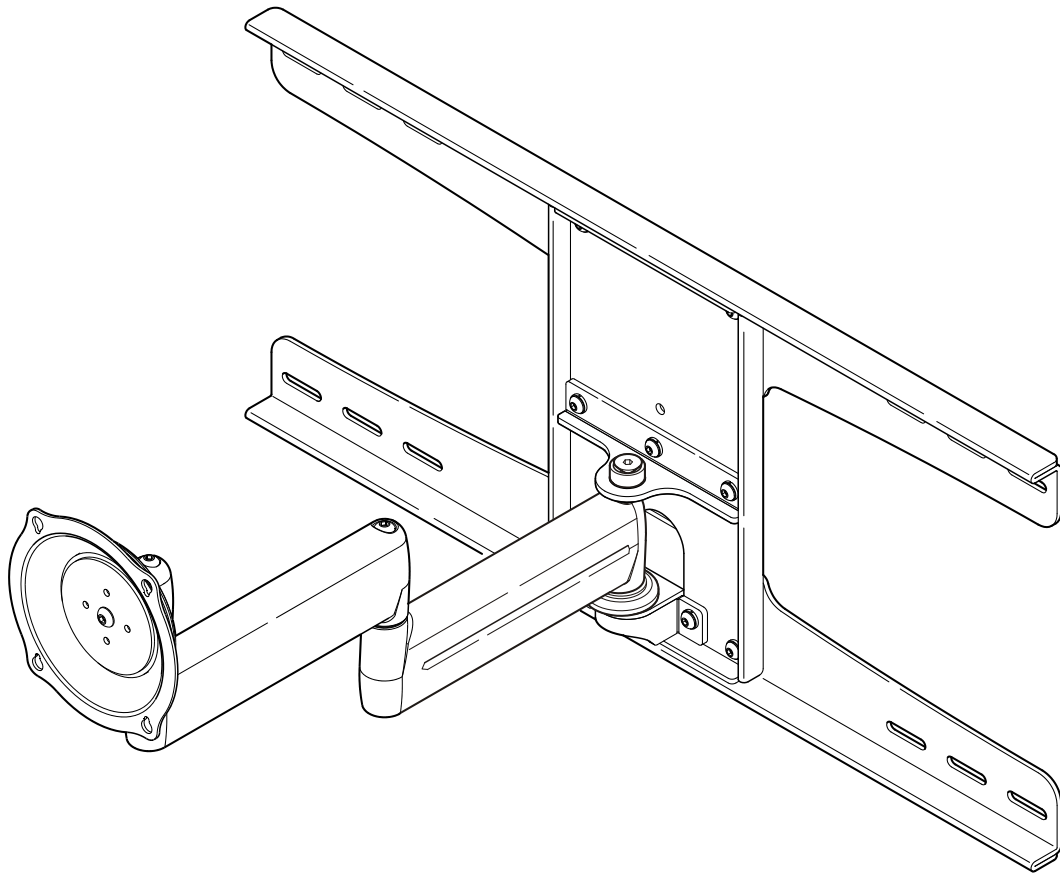


---

# INSTALLATION INSTRUCTIONS

---



---

## Medium Flat Panel Steel Stud Wall Mount

---

**DISCLAIMER**

CSAV, Inc., and its affiliated corporations and subsidiaries (collectively, "CSAV"), intend to make this manual accurate and complete. However, CSAV makes no claim that the information contained herein covers all details, conditions or variations, nor does it provide for every possible contingency in connection with the installation or use of this product. The information contained in this document is subject to change without notice or obligation of any kind. CSAV makes no representation of warranty, expressed or implied, regarding the information contained herein. CSAV assumes no responsibility for accuracy, completeness or sufficiency of the information contained in this document.

**! IMPORTANT WARNINGS AND CAUTIONS!**

**! WARNING:** A WARNING alerts you to the possibility of serious injury or death if you do not follow the instructions.

**! CAUTION:** A CAUTION alerts you to the possibility of damage or destruction of equipment if you do not follow the corresponding instructions.

**! WARNING:** Failure to read, thoroughly understand, and follow all instructions can result in serious personal injury, damage to equipment, or voiding of factory warranty! It is the installer's responsibility to make sure all components are properly assembled and installed using the instructions provided.

**! WARNING:** Failure to provide adequate structural strength for the installation of this kit can result in serious personal injury or damage to equipment! It is the installer's responsibility to make sure the structure to which this kit is attached can support five times the combined weight of all equipment.

**! WARNING:** Exceeding the weight capacity can result in serious personal injury or damage to equipment! It is the installer's responsibility to make sure the combined weight of all components attached to this accessory does not exceed 75 lbs (34.01 kg).

**LEGEND**

	<b>Tighten Fastener</b>
	Apretar elemento de fijación
	Befestigungsteil festziehen
	Apertar fixador
	Serrare il fissaggio
	Bevestiging vastdraaien
	Serrez les fixations

	<b>Loosen Fastener</b>
	Aflojar elemento de fijación
	Befestigungsteil lösen
	Desapertar fixador
	Allentare il fissaggio
	Bevestiging losdraaien
	Desserrez les fixations

	<b>Hex-Head Wrench</b>
	Llave de cabeza hexagonal
	Sechskantschlüssel
	Chave de cabeça sextavada
	Chiave esagonale
	Zeskantsleutel
	Clé à tête hexagonale

	<b>Phillips Screwdriver</b>
	Destornillador Phillips
	Kreuzschlitzschraubendreher
	Chave de fendas Phillips
	Cacciavite a stella
	Kruiskopschroevendraaier
	Tournevis à pointe cruciforme

**TOOLS REQUIRED FOR INSTALLATION AND PARTS**

**TOOLS:**

- Box of screws
- 1/2" (Ø13mm) Drill Bit
- Pencil
- Screwdriver
- Bracket (3/16")
- Bracket (5/32")

**PARTS:**

- A (1) Main Assembly
- B (2) Screws
- C (4) M4 x 8mm Screws
- D (4) M4 x 12mm Screws
- E (6) M4 x 16mm Screws
- F (4) M4 x 20mm Screws
- G (8) M5 x 20mm Washers
- H (4) M5 x 30mm Washers
- J (4) M5 x 45mm Washers
- K (6) .194" x .125" Washers
- L (8) M6 x 20mm Screws
- M (4) M6 x 30mm Screws
- N (4) M6 x 45mm Screws
- O (4) .740" x .250" Washers
- P (3) 24-20 x 5/8" Screws
- R (1) 3/16" Bracket
- S (1) 5/32" Bracket
- T (4) Screws
- U (4) 1/4" Washers
- V (4) 1/4"-20 x 1 3/4" Screws
- W (4) 1/4"-20 SNAPTGGLE BB
- X (1) Plate

**Other Components:**

- I/M (x1) Box

### Site Requirements

**⚠ WARNING:** IMPROPER INSTALLATION CAN LEAD TO EQUIPMENT FALLING CAUSING SERIOUS PERSONAL INJURY OR DAMAGE TO EQUIPMENT! The figure below identifies the minimum requirements for installation of display mounts onto a steel stud structure. If the structure or its components do not meet these requirements contact the mount manufacturer for specific instructions before attempting installation. It should also be noted that no other equipment should be mounted to the same stud.

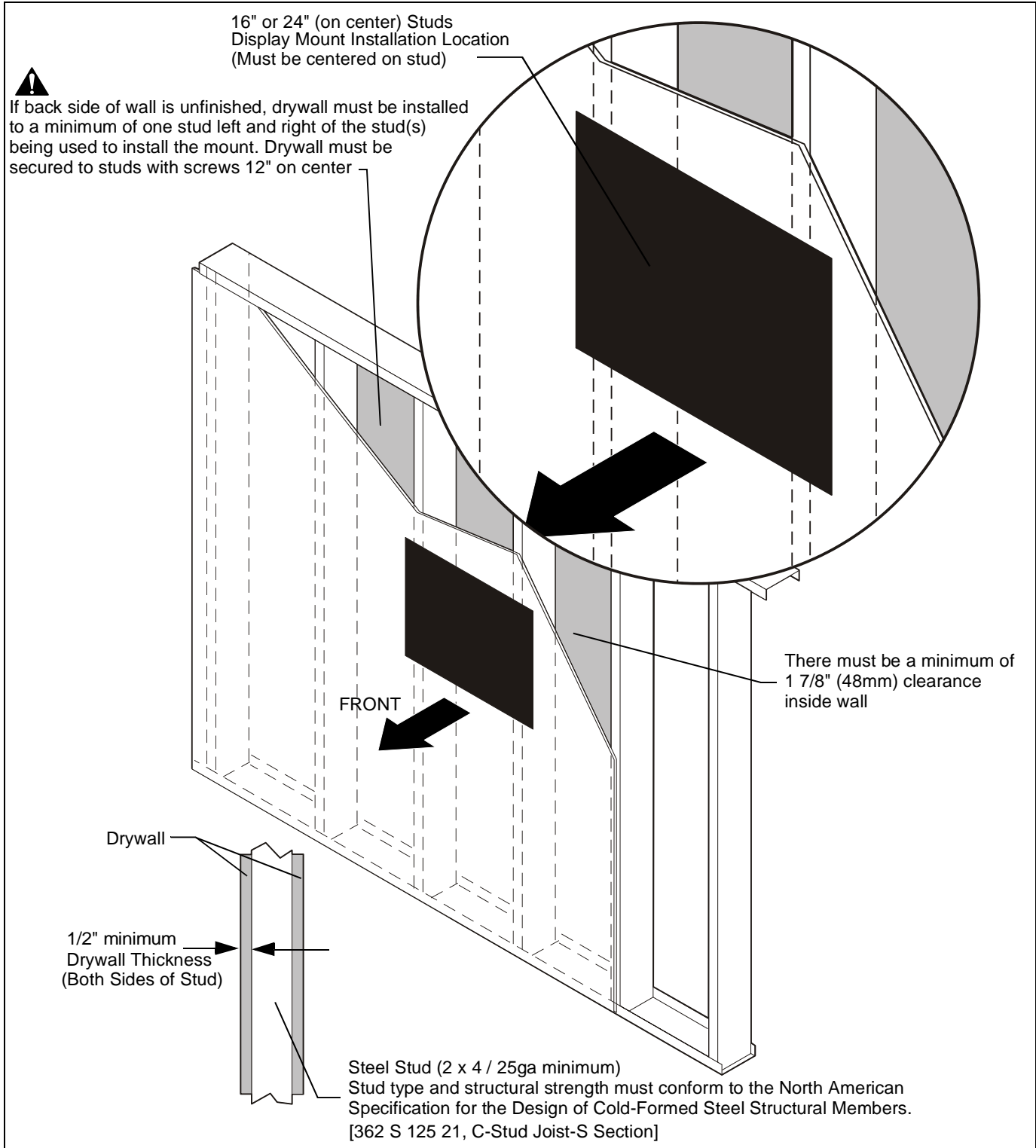
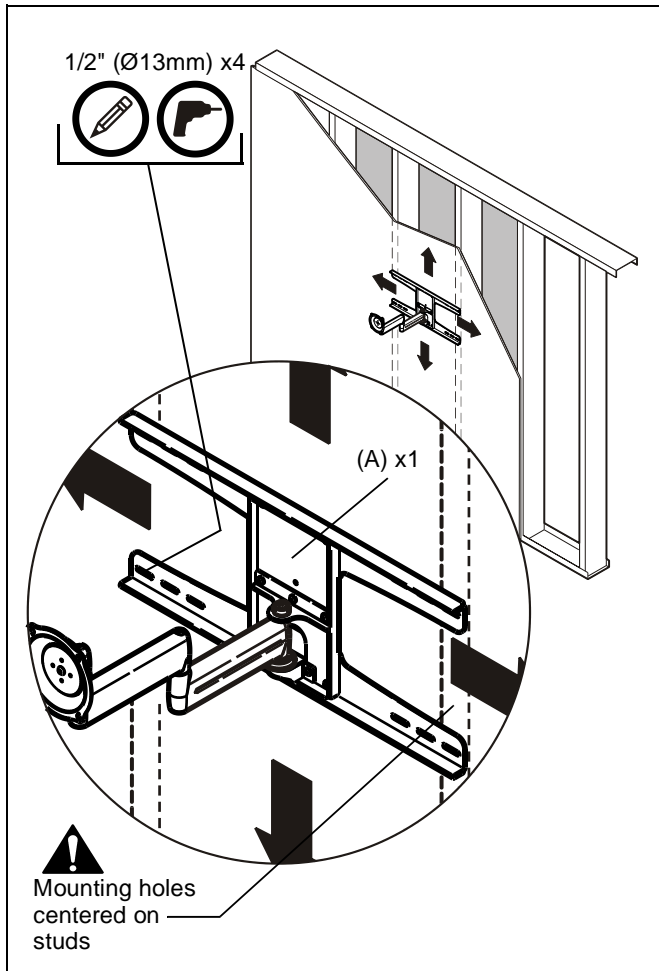


Figure 1

**Mount Installation**

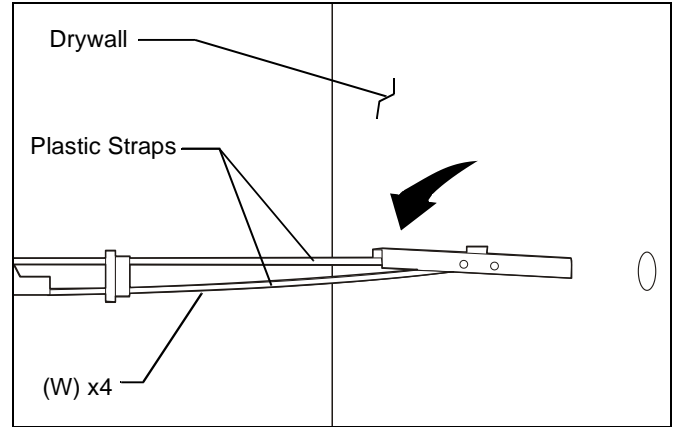
After determining the site meets the installation requirements:

1. Identify desired mounting location on wall.
2. Using a stud finder or similar method locate studs.
3. Align mounting holes in mount with studs making sure mounting holes are centered on studs. (See Figure 2)
4. Mark location of three mounting holes on wall.
5. Drill four 1/2" (Ø13mm) holes. (See Figure 2)



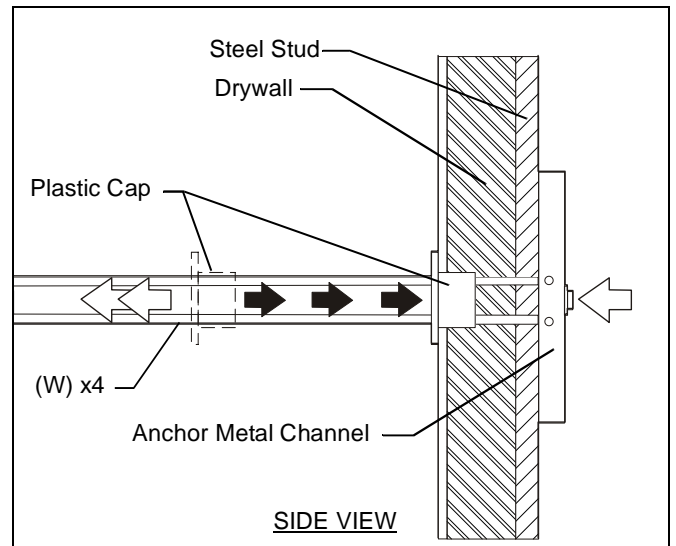
**Figure 2**

6. Hold metal channel on anchor (W) flat alongside plastic straps and slide channel through hole. (See Figure 3)



**Figure 3**

7. Holding plastic straps on anchor (W), pull anchor away from wall until channel rests flush behind wall making sure anchor channel is positioned vertically on stud as show in figures below. (See Figure 4)
8. Slide plastic cap on anchor (W) towards wall until flange of cap is flush with wall. (See Figure 4)



**Figure 4**

9. Snap off plastic straps on anchor at wall by pushing side to side, snapping off straps level with flange of plastic cap. (See Figure 5)
10. Repeat steps 6 through 9 for each mounting hole.

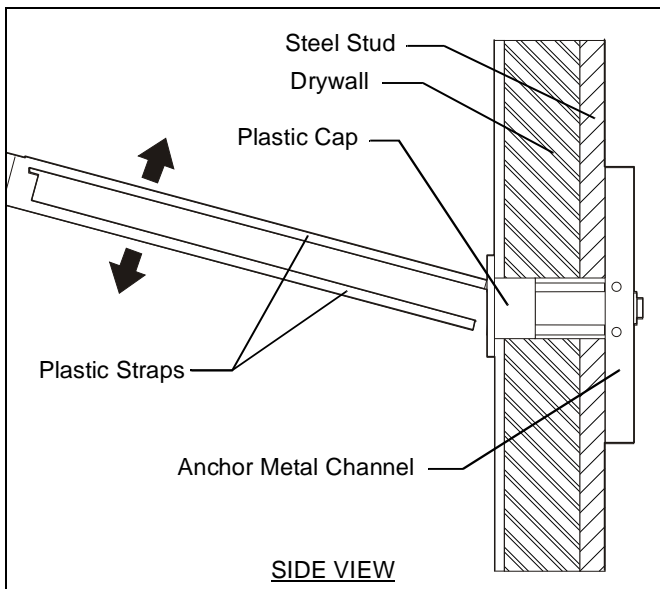


Figure 5

11. Place mount over anchors and align mounting holes in display mount with holes in anchors. (See Figure 6)
12. Place flat washer (U) onto Phillips pan head screws (V).
13. Insert Phillips pan head screws (V) with flat washer (U) through mounting hole in display mount and into anchor (W) and tighten until flush against mount. DO NOT overtighten!

**WARNING:** IMPROPER INSTALLATION CAN LEAD TO EQUIPMENT FALLING CAUSING SERIOUS PERSONAL INJURY OR DAMAGE TO EQUIPMENT! Overtightening of mounting hardware can damage the steel studs. DO NOT overtighten mounting hardware!

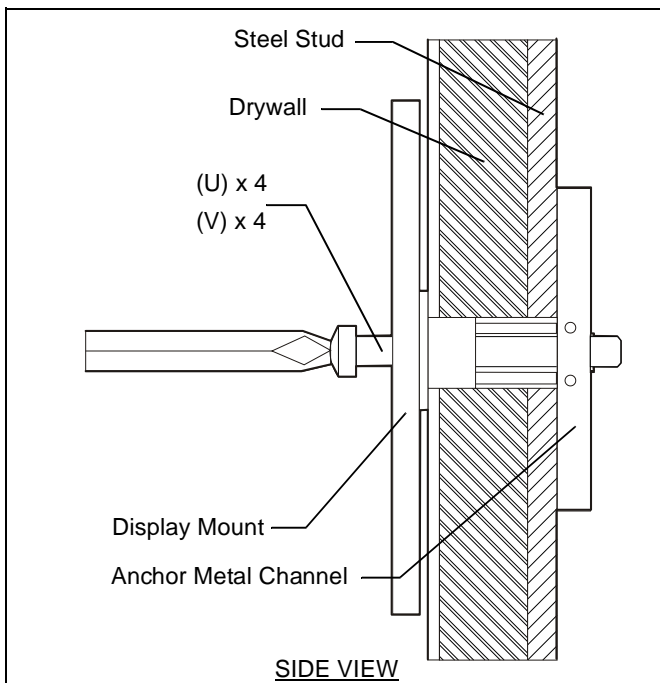


Figure 6

### Display Installation

The mounting holes on the back of your display will either be *flush with the back surface*, or *recessed into the back surface*. Refer to the applicable installation procedure.

#### Flush Mount Display

**WARNING:** IMPROPER INSTALLATION CAN LEAD TO EQUIPMENT FALLING CAUSING SERIOUS PERSONAL INJURY OR DAMAGE TO EQUIPMENT! Using screws of improper size may damage your display! Proper screws will easily and completely thread into display mounting holes.

**WARNING:** IMPROPER INSTALLATION CAN LEAD TO EQUIPMENT FALLING CAUSING SERIOUS PERSONAL INJURY OR DAMAGE TO EQUIPMENT! Inadequate thread engagement in display may cause display to fall! Back out screws ONLY as necessary to allow installation of Centris bracket!

### Display Installation

#### VESA 100 x 100 Pattern

1. Partially install two screws (D) into upper mounting holes in display back. (See Figure 7)

**NOTE:** Leave at least 1/8" of each screw protruding out back of display.

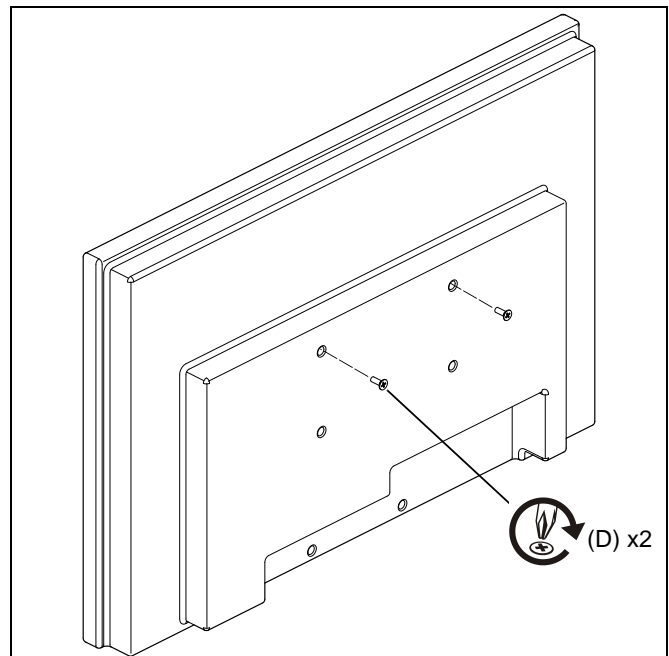


Figure 7

2. Align two screws in display back with upper teardrop mounting holes in mounting plate.
3. Place two screws in display back into upper teardrop mounting holes in display mounting plate and lower display until screws are seated in lower area of teardrop mounting holes. (See Figure 8)
4. Install two screws (D) through display mounting plate and into lower mounting holes in display back. (See Figure 8)

5. Tighten all hardware.

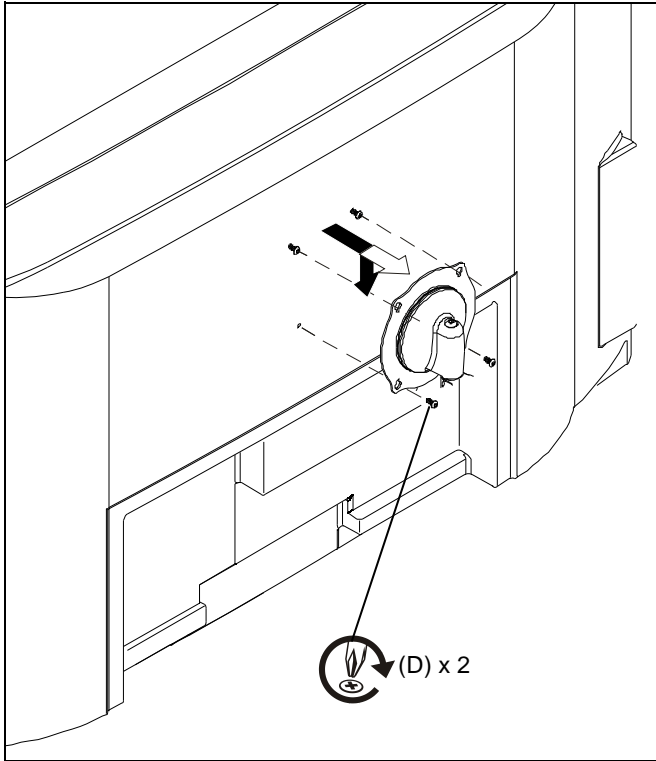


Figure 8

**Attach Interface Bracket to Display**

1. Lay display face down on a clean and dry flat surface.
2. Attach Interface Bracket (X) to display using appropriate screws (D, E, F, G, H, L, M, N). (See Figure 9)

**NOTE:** If the display has a recessed mounting surface, spacers (K or O) between the display and Interface Bracket (X) may be required.

3. Tighten all screws.

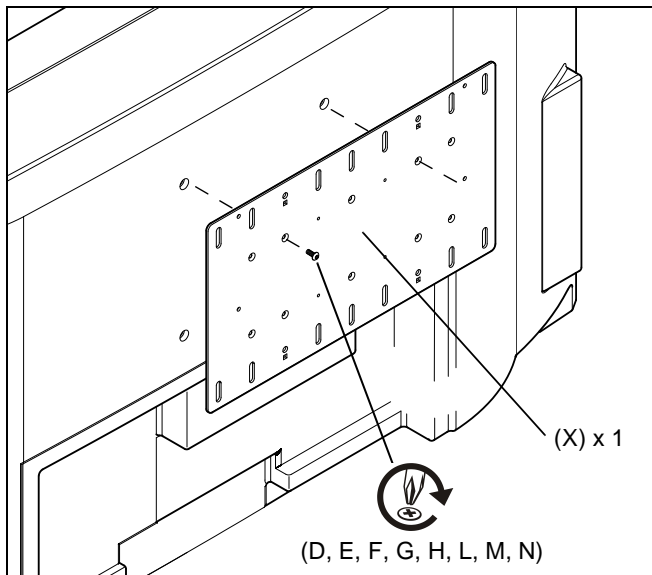


Figure 9

**Attach Display to Mount**

1. Start two Phillips pan head screws (C) into top mounting holes on interface bracket (X). (See Figure 10)
2. Align two screws in interface bracket (X) with upper mounting holes in Centris cup and lower display until screws are seated in lower area of teardrop mounting holes. (See Figure 10)

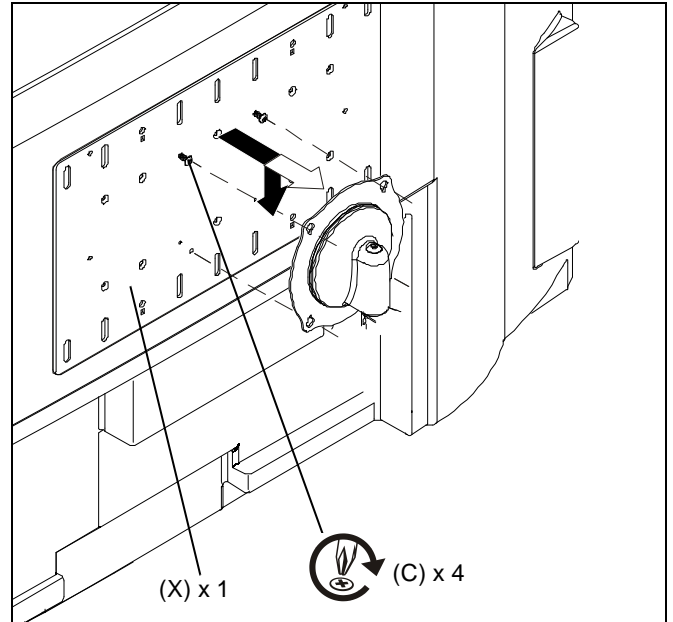


Figure 10

3. Hold display so that display back is against Centris cup and install two Phillips pan head machine screws (C) through lower mounting holes in Centris cup and into lower mounting holes in interface bracket (X). (See Figure 11)

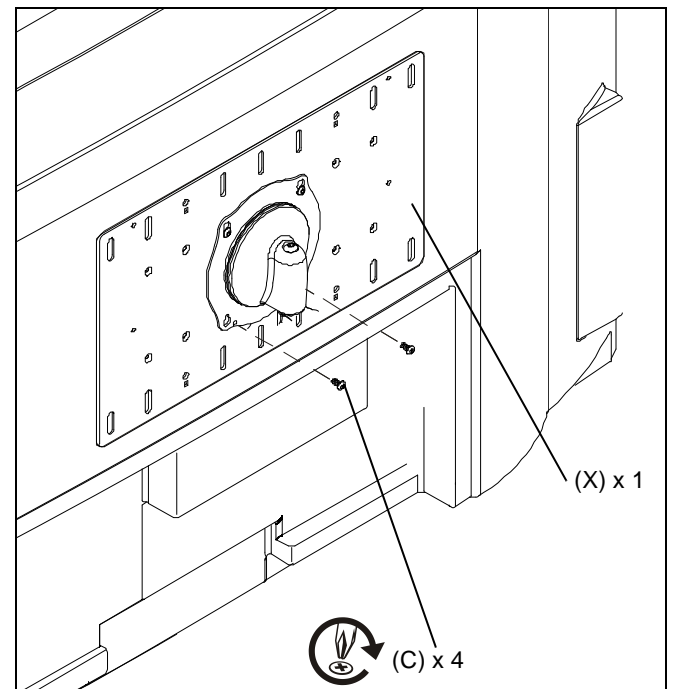


Figure 11

- Route cables and wires to display.

**CABLE MANAGEMENT**

- Attach all cables to display.



**CAUTION:** Ensure that adequate cable slack exists for movement of display, and that cables will not be pinched by installation of cover (B) or screws (T).

- Carefully insert cables in cavity located in lower portion of mount arm (See Figure 12).
- Using Phillips screwdriver, install cover (B) with two screws (T). (See Figure 12)

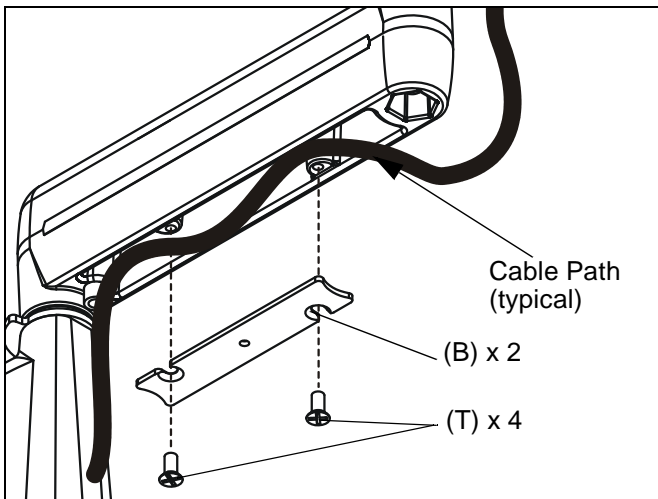


Figure 12:

To adjust display Roll, Pitch, and YAW tension:

- Disconnect all wires and cable from the display.
- Remove two *Lower* screws securing display to Centris cup.
- Loosen two *Upper* screws securing display.
- Lift display upward and away from mount.
- Using a Phillips screwdriver turn the tension adjustment screw clockwise to increase tension, or counter-clockwise to decrease tension. (See Figure 14)
- Re-install display.

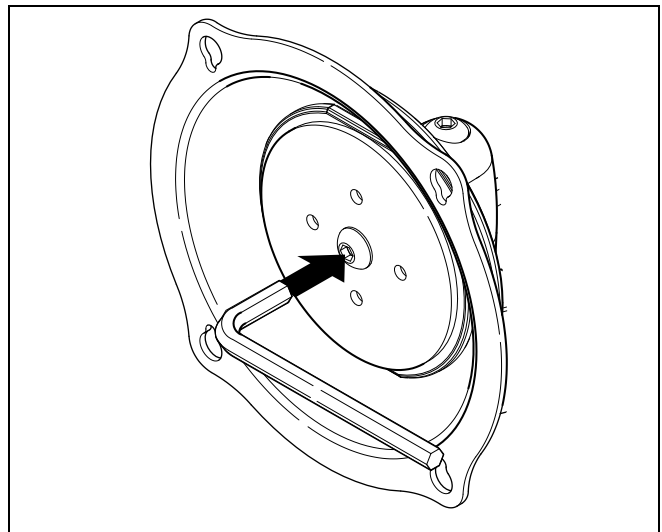


Figure 14

**ADJUSTMENTS**

**Swing Arm**

**PIVOT / SWING**

- Using 3/16" hex key, slightly loosen or tighten the adjustment screw(s) as necessary (See Figure 13).

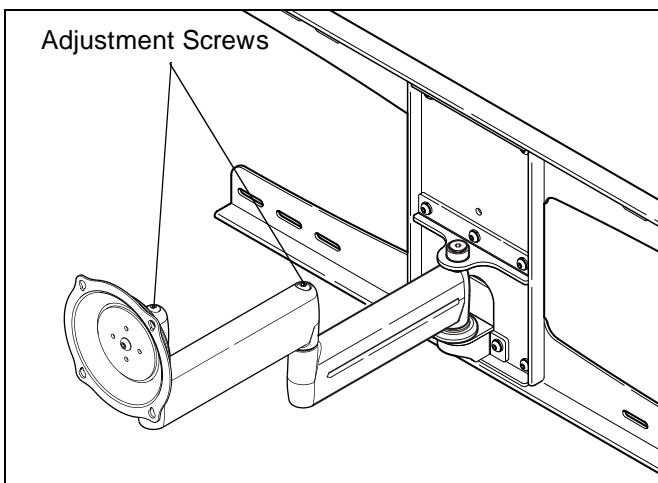


Figure 13







8832-000220 RevB  
©2007 Chief Manufacturing  
[www.chiefmfg.com](http://www.chiefmfg.com)  
06/07

<b>USA/International</b>	<b>A</b> 8401 Eagle Creek Parkway, Savage, MN 55378 <b>P</b> 800.582.6480 / 952.894.6280 <b>F</b> 877.894.6918 / 952.894.6918
<b>Europe</b>	<b>A</b> Fellenoord 130 5611 ZB EINDHOVEN, The Netherlands <b>P</b> +31 40 2668620 <b>F</b> +31 (0) 40 2668615
<b>Asia Pacific</b>	<b>A</b> Room 30I, Block D, Lily YinDu International Building LuoGang, BuJi Town, Shenzhen, CHINA. Post Code: 518112 深圳市布吉罗岗百合银都国际大厦D栋30I <b>P</b> +86-755-8996 9226 ; 8996 9236 ; 8996 9220 <b>F</b> +86-755-8996 9217