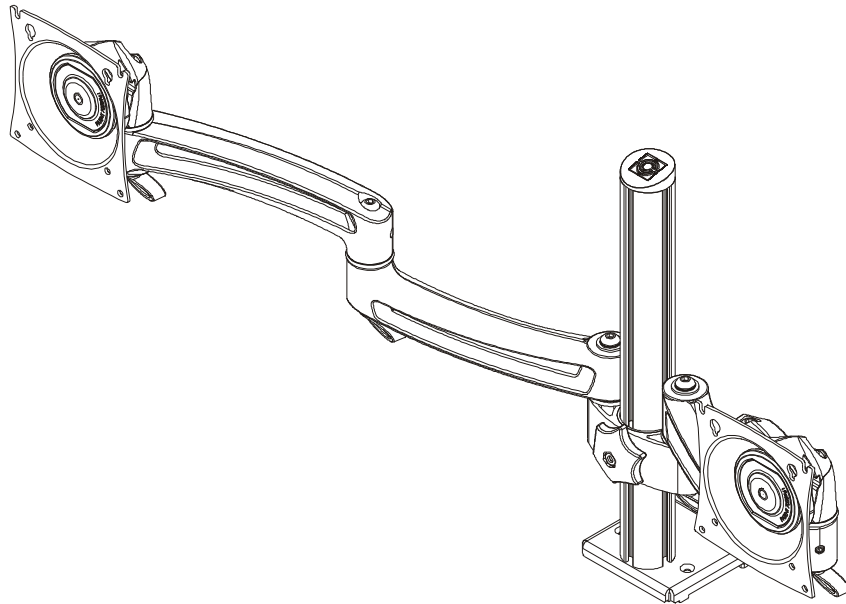

INSTALLATION INSTRUCTIONS



Dual Arm Office Furniture Mount

DISCLAIMER

Milestone AV Technologies and its affiliated corporations and subsidiaries (collectively "Milestone"), intend to make this manual accurate and complete. However, Milestone makes no claim that the information contained herein covers all details, conditions or variations, nor does it provide for every possible contingency in connection with the installation or use of this product. The information contained in this document is subject to change without notice or obligation of any kind. Milestone makes no representation of warranty, expressed or implied, regarding the information contained herein. Milestone assumes no responsibility for accuracy, completeness or sufficiency of the information contained in this document.

Chief® is a registered trademark of Milestone AV Technologies. All rights reserved.

! IMPORTANT SAFETY INSTRUCTIONS!

! WARNING: A WARNING alerts you to the possibility of serious injury or death if you do not follow the instructions.

! CAUTION: A CAUTION alerts you to the possibility of damage or destruction of equipment if you do not follow the corresponding instructions.

! WARNING: Failure to read, thoroughly understand, and follow all instructions can result in serious personal injury, damage to equipment, or voiding of factory warranty! It is the installer's responsibility to make sure all components are properly assembled and installed using the instructions provided.

! WARNING: Failure to provide adequate structural strength for this component can result in serious personal injury or damage to equipment! It is the installer's responsibility to make sure the structure to which this component is attached can support five times the combined weight of all equipment. Reinforce the structure as required before installing the component.

! WARNING: Exceeding the weight capacity can result in serious personal injury or damage to equipment! It is the installer's responsibility to make sure the combined weight of all components located between the K2C2OFB215 up to (and including) the display does not exceed 25 lbs (11.34 kg) per arm. Use with products heavier than the maximum weight indicated may result in collapse of the mount and its accessories causing possible injury.

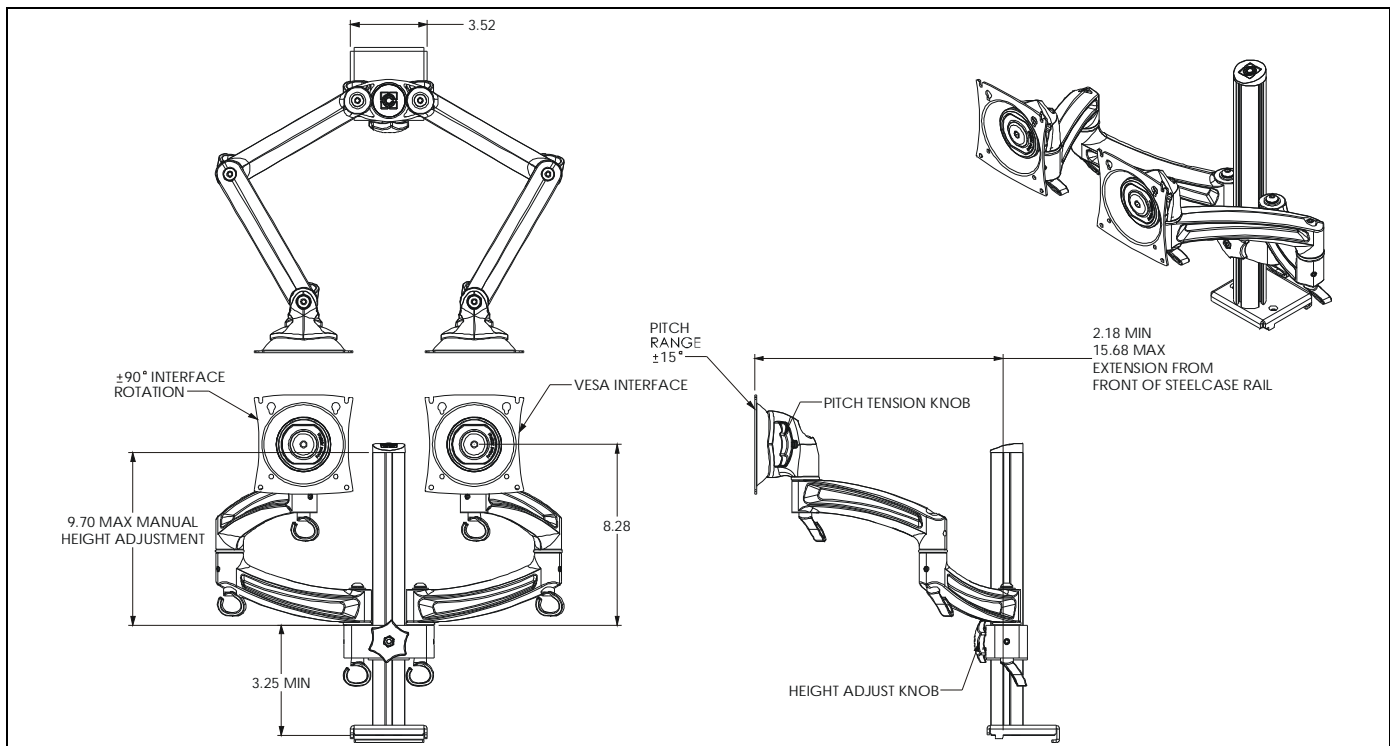
! WARNING: Use this mounting system only for its intended use as described in these instructions. Do not use attachments not recommended by the manufacturer.

! WARNING: Never operate this mounting system if it is damaged. Return the mounting system to a service center for examination and repair.

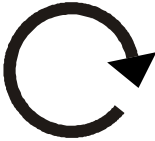

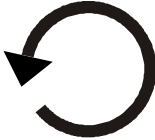









! WARNING: Do not use this product outdoors.

--SAVE THESE INSTRUCTIONS!--

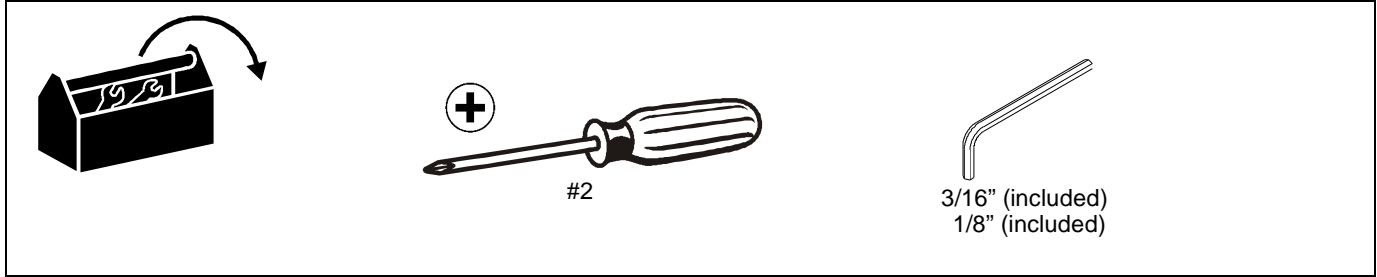
DIMENSIONS



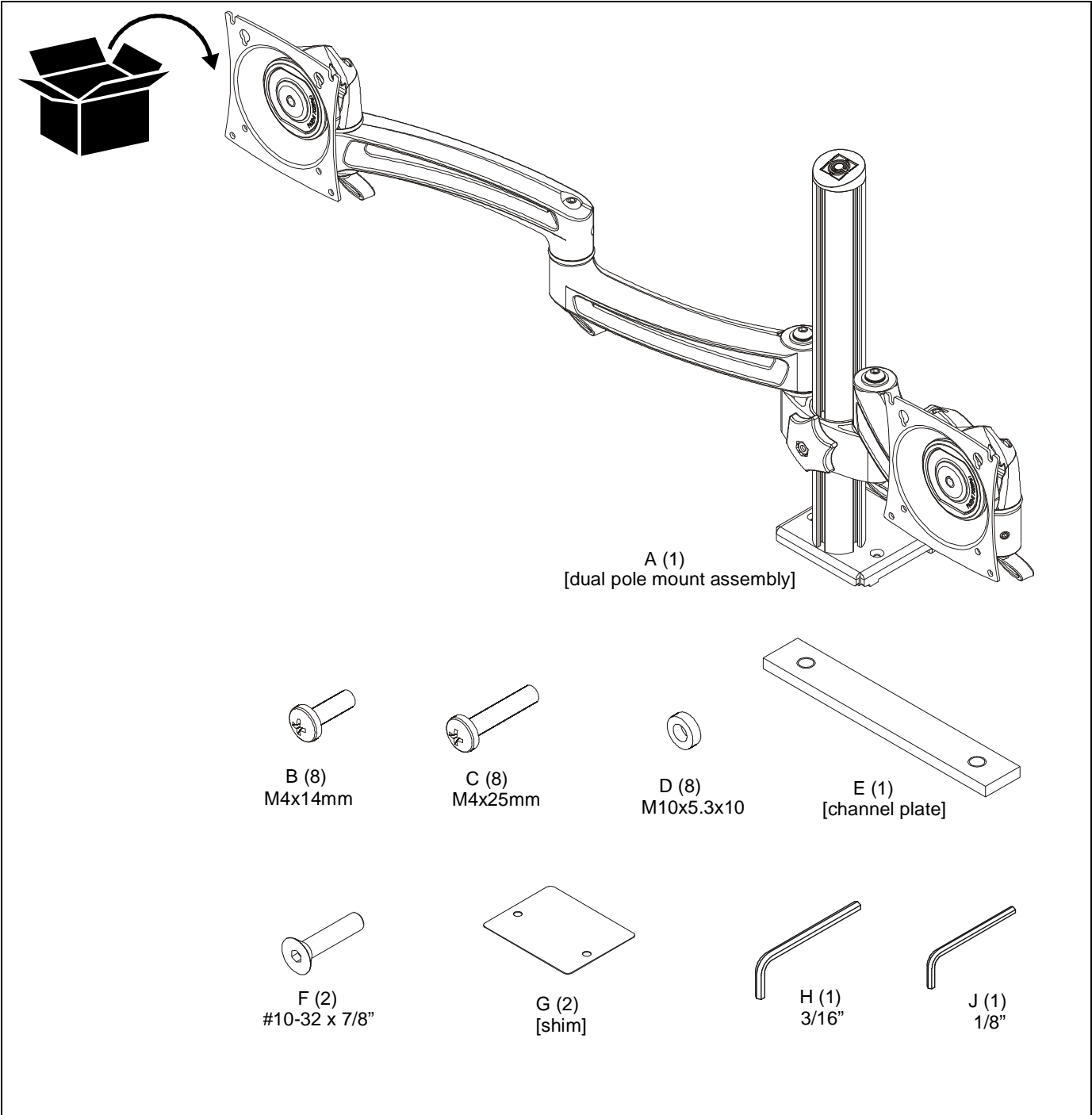
LEGEND

	<p>Tighten Fastener</p> <p>Apretar elemento de fijación</p> <p>Befestigungsteil festziehen</p> <p>Apertar fixador</p> <p>Serrare il fissaggio</p> <p>Bevestiging vastdraaien</p> <p>Serrez les fixations</p>		<p>Pencil Mark</p> <p>Marcar con lápiz</p> <p>Stiftmarkierung</p> <p>Marcar com lápis</p> <p>Segno a matita</p> <p>Potloodmerkteken</p> <p>Marquage au crayon</p>
	<p>Loosen Fastener</p> <p>Aflojar elemento de fijación</p> <p>Befestigungsteil lösen</p> <p>Desapertar fixador</p> <p>Allentare il fissaggio</p> <p>Bevestiging losdraaien</p> <p>Desserrez les fixations</p>		<p>Drill Hole</p> <p>Perforar</p> <p>Bohrloch</p> <p>Fazer furo</p> <p>Praticare un foro</p> <p>Gat boren</p> <p>Percez un trou</p>
	<p>Phillips Screwdriver</p> <p>Destornillador Phillips</p> <p>Kreuzschlitzschraubendreher</p> <p>Chave de fendas Phillips</p> <p>Cacciavite a stella</p> <p>Kruiskopschroevendraaier</p> <p>Tournevis à pointe cruciforme</p>		<p>Adjust</p> <p>Ajustar</p> <p>Einstellen</p> <p>Ajustar</p> <p>Regolare</p> <p>Afstellen</p> <p>Ajuster</p>
	<p>Open-Ended Wrench</p> <p>Llave de boca</p> <p>Gabelschlüssel</p> <p>Chave de bocas</p> <p>Chiave a punte aperte</p> <p>Steeksleutel</p> <p>Clé à fourche</p>		<p>Remove</p> <p>Quitar</p> <p>Entfernen</p> <p>Remover</p> <p>Rimuovere</p> <p>Verwijderen</p> <p>Retirez</p>
	<p>By Hand</p> <p>A mano</p> <p>Von Hand</p> <p>Com a mão</p> <p>A mano</p> <p>Met de hand</p> <p>À la main</p>		<p>Optional</p> <p>Opcional</p> <p>Optional</p> <p>Opcional</p> <p>Opzionale</p> <p>Optie</p> <p>En option</p>
	<p>Hex-Head Wrench</p> <p>Llave de cabeza hexagonal</p> <p>Sechskantschlüssel</p> <p>Chave de cabeça sextavada</p> <p>Chiave esagonale</p> <p>Zeskantsleutel</p> <p>Clé à tête hexagonale</p>		<p>Security Wrench</p> <p>Llave de seguridad</p> <p>Sicherheitsschlüssel</p> <p>Chave de segurança</p> <p>Chiave di sicurezza</p> <p>Veiligheidssleutel</p> <p>Clé de sécurité</p>

TOOLS REQUIRED FOR INSTALLATION



PARTS



Assembly And Installation

Assembly to Office Furniture Rail

IMPORTANT ! : The K2C2OFB215 is designed to be installed to Steelcase FrameOne™ office furniture rails. Do NOT attempt to install this mount to any other type of office furniture rails!

NOTE: If mounting holes on displays are recessed, it may be necessary to install displays prior to installing assembly. Proceed to Display Installation Section prior to installing assembly to rail.

1. Drop channel plate (E) at an angle into front groove of FrameOne™ rail. (See Figure 1)
2. Make sure channel plate (E) lays flat in rail and slide plate until it is at desired mounting position. (See Figure 1)

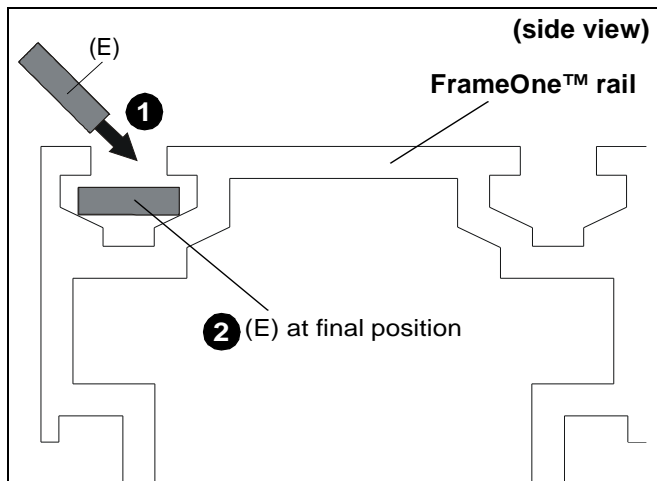


Figure 1

3. Hook back of attachment plate on dual pole mount assembly (A) into back groove of FrameOne™ rail. (See Figure 2)
4. Place dual pole mount assembly onto FrameOne™ rail making sure holes on attachment plate line up with holes on channel plate (E). (See Figure 2)
5. Use two #10-32 x 7/8" flat head cap screws (F) to secure dual pole mount assembly (A) to channel plate (E). (See Figure 2)

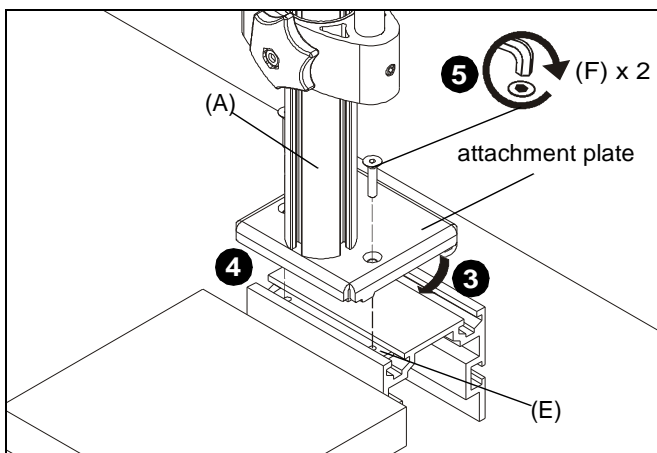


Figure 2

NOTE: If mount leans forward after installation, install one or two shims (G) in between mount assembly (A) and rail as shown in the following steps.

Installing Shim Spacers (if required)

IMPORTANT ! : Do NOT install one or both shims (G) unless required as damage to the FrameOne rail may result!

6. Remove two #10-32 x 7/8" flat head cap screws (F) holding mount assembly (A) to channel plate (E).
7. Slide one or two shims (G) in between mount assembly (A) and rail, lining up holes on shim(s) with holes on plate and rail. (See Figure 3)
8. Use two #10-32 x 7/8" flat head cap screws (F) to reinstall mount assembly (A) to channel plate (E). (See Figure 3)

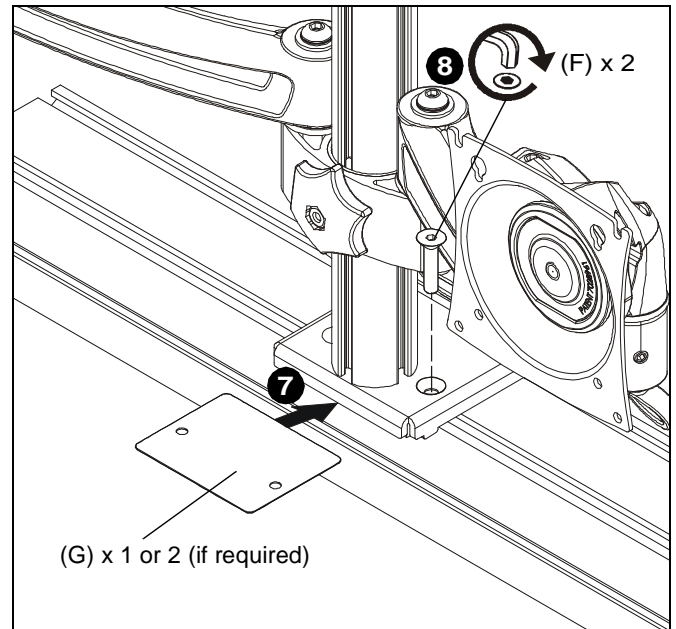


Figure 3

Display Installation

The mounting holes on the back of the display will either be flush with the back surface or recessed into the back surface. Refer to the applicable installation procedure.

Flush Mounting Holes



CAUTION: Using screws of improper size may damage your display! Proper screws will easily and completely thread into display mounting holes.



CAUTION: Inadequate thread engagement in display may cause display to fall! Back out screws **ONLY** as necessary to allow installation of Centris bracket!

1. Ensure faceplate is able to swivel and tilt easily, yet still be tight enough to hold display in desired position. Adjust as required before proceeding. See "ADJUSTMENT" for detail. (See Figure 4)
2. Using Phillips screwdriver, carefully install two M4x12mm screws (B) into the *upper* mounting holes on the display. Thread screws completely into display, then back out 3 complete turns. (See Figure 4)
3. Pick up and align display so that screws (B) (installed on the back of the display in the previous step) fit into the mounting holes on the faceplate. Rotate the bracket as required. Lower the display firmly into place. (See Figure 4)

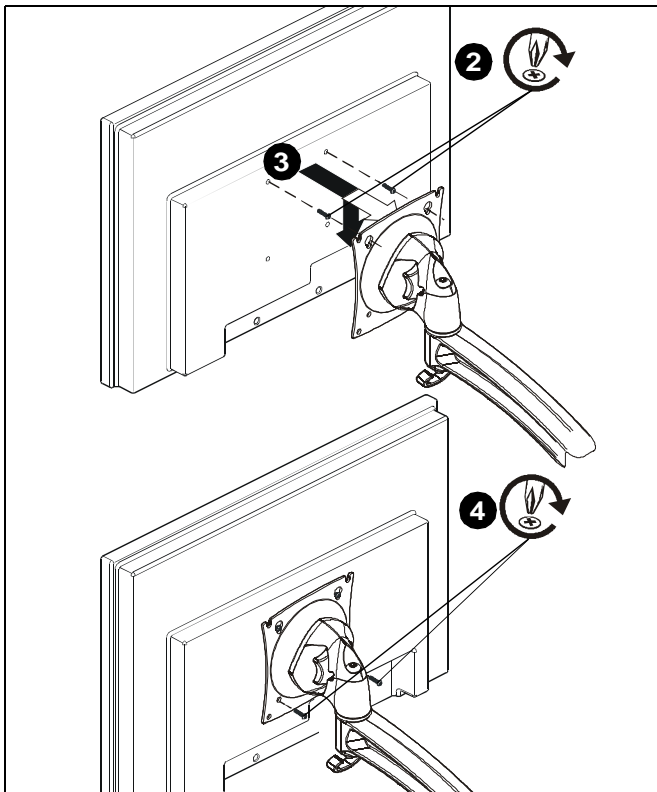


Figure 4

4. Using Phillips screwdriver, install two remaining M4x14mm Phillips screws (B) through the *lower* mounting holes in faceplate into the display. (See Figure 4)
5. Tighten all four screws (B). Do not over-tighten!

Recessed Mounting Holes

1. Ensure Centris bracket is able to swivel and tilt easily, yet still be tight enough to hold display in desired position. Adjust as required before proceeding. See "ADJUSTMENT" for detail.
2. Carefully place display face down on protective surface.
3. Place the four spacers (D) over each of the mount holes on the back of the display. (See Figure 5)
4. Pick up and orient the mount (A) so that the mounting holes are aligned with the holes in the spacers; rotate the bracket as required. (See Figure 5)
5. Using Phillips screwdriver, install four M4x25mm screws (C) through the mounting holes, through the spacers and into the display. (See Figure 5)
6. Tighten all four screws. Do not over-tighten!

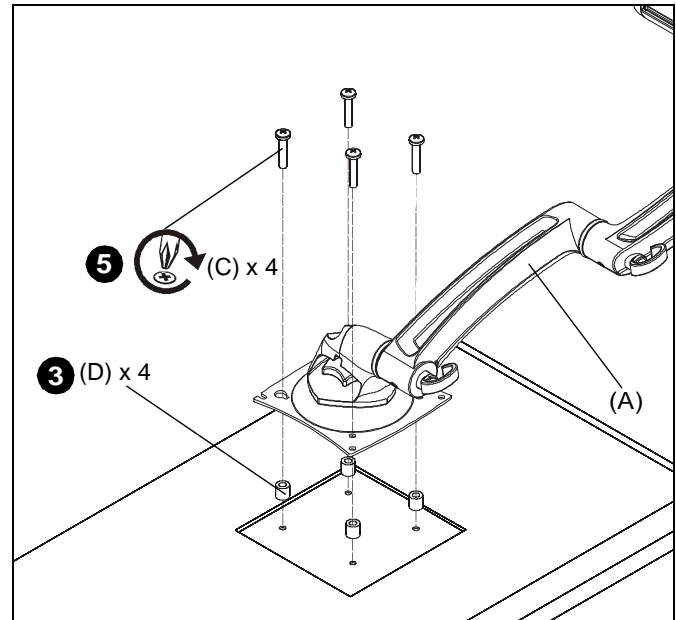


Figure 5

Adjustments

Column Height Adjustment

1. Loosen column adjustment knob. (See Figure 6)
2. Adjust height to desired level. (See Figure 6)
3. Tighten column adjustment knob. (See Figure 6)

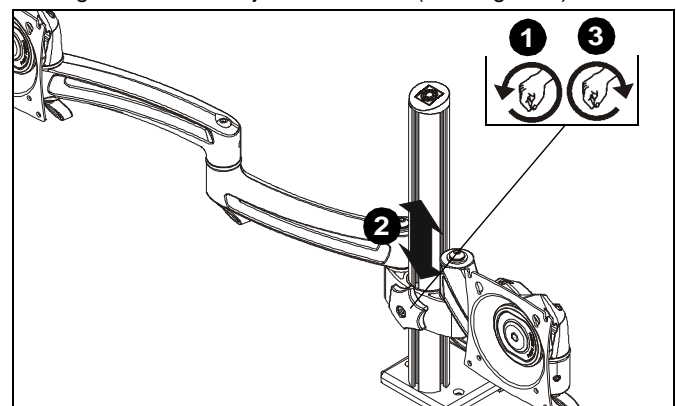


Figure 6

Pivot Adjustment Range

1. Adjust arm angles as desired within a 90 degree range from the edge of desk or wall and a perpendicular centerline of mount. (See Figure 7)

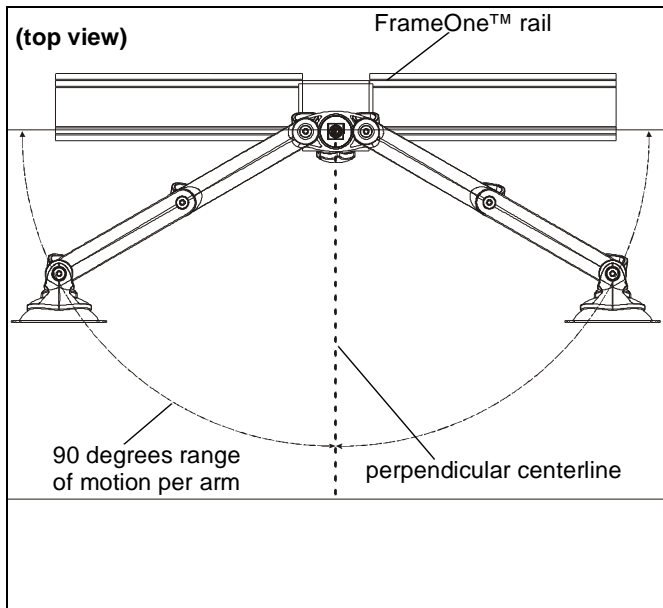


Figure 7

Swing Arm Pivot Adjustment

1. Adjust pivot position as desired. (See Figure 8)
2. Adjust pivot point tension screws to change pivot adjustment tension. (See Figure 8)

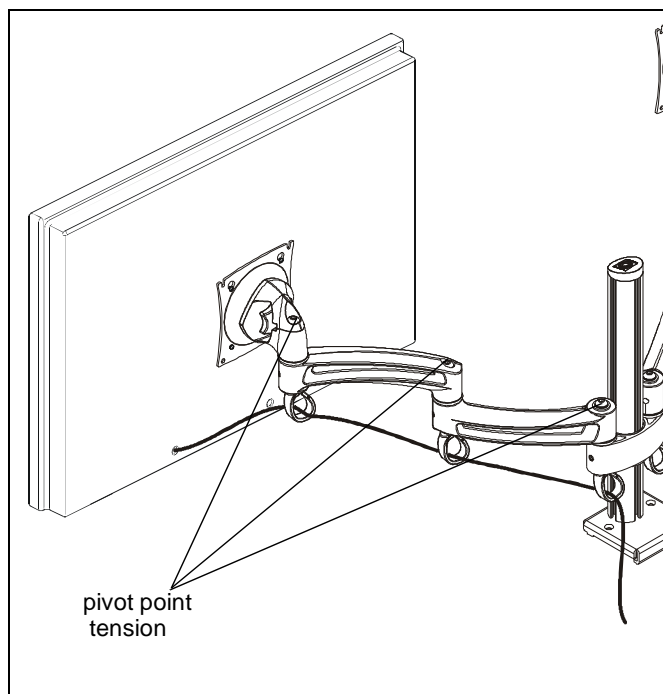


Figure 8

Lateral Shift

1. Loosen two #10-32 x 7/8" flat head cap screws (F). (See Figure 9)
2. Adjust lateral shift position as desired. (See Figure 9)
3. Tighten two #10-32 x 7/8" flat head cap screws (F). (See Figure 9)

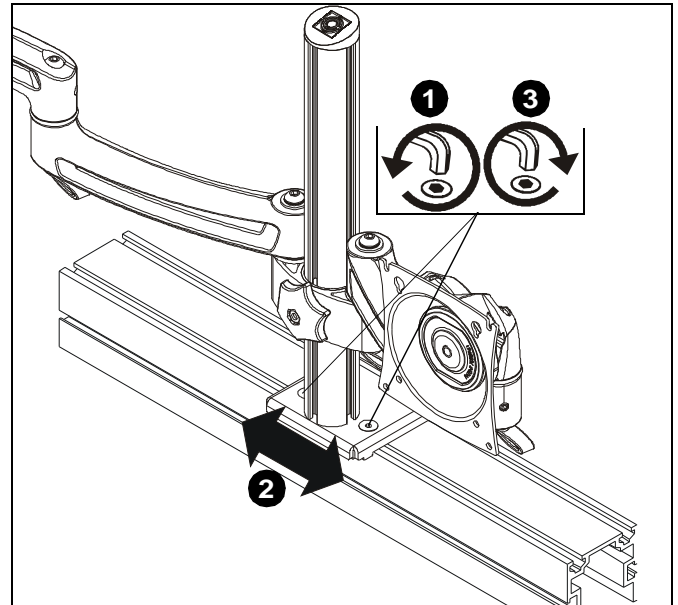


Figure 9

Cable Management

1. Route cables through cable management channels. (See Figure 10)

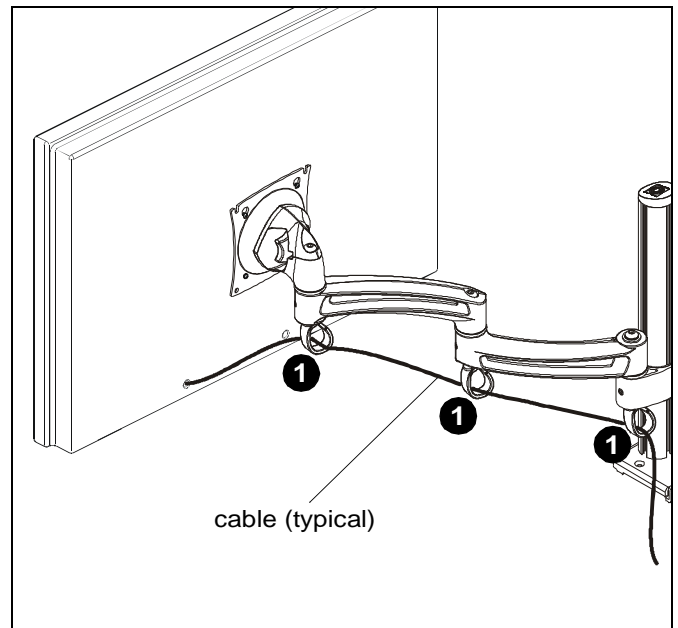


Figure 10



Our Mounts. **Your Vision.**

Chief Manufacturing, a products division
of Milestone AV Technologies

8800-002430 Rev00
©2013 Milestone AV Technologies, a
Duchossois Group Company
www.chiefmfg.com
05/13

USA/International	A 6436 City West Parkway, Eden Prairie, MN 55344 P 800.582.6480 / 952.225.6000 F 877.894.6918 / 952.894.6918
Europe	A Franklinstraat 14, 6003 DK Weert, Netherlands P +31 (0) 495 580 852 F +31 (0) 495 580 845
Asia Pacific	A Office No. 1 on 12/F, Shatin Galleria 18-24 Shan Mei Street Fotan, Shatin, Hong Kong P 852 2145 4099 F 852 2145 4477

