

# INSTALLATION INSTRUCTIONS

## ADDENDUM TO ALL K3F MODELS (K3F120, K3F210 AND K3F310)

**IMPORTANT !** : The following steps must be taken AFTER the column has been attached to the stand in Step 1 of the K3F Installation Instructions. Refer to K3F Installation Instructions for details.

1. Tighten four bolts holding stand legs to stand base. (See Figure 1)
2. Tighten four bolts holding stand to column. (See Figure 1)
3. Proceed to Step 2 in K3F Installation Instructions.

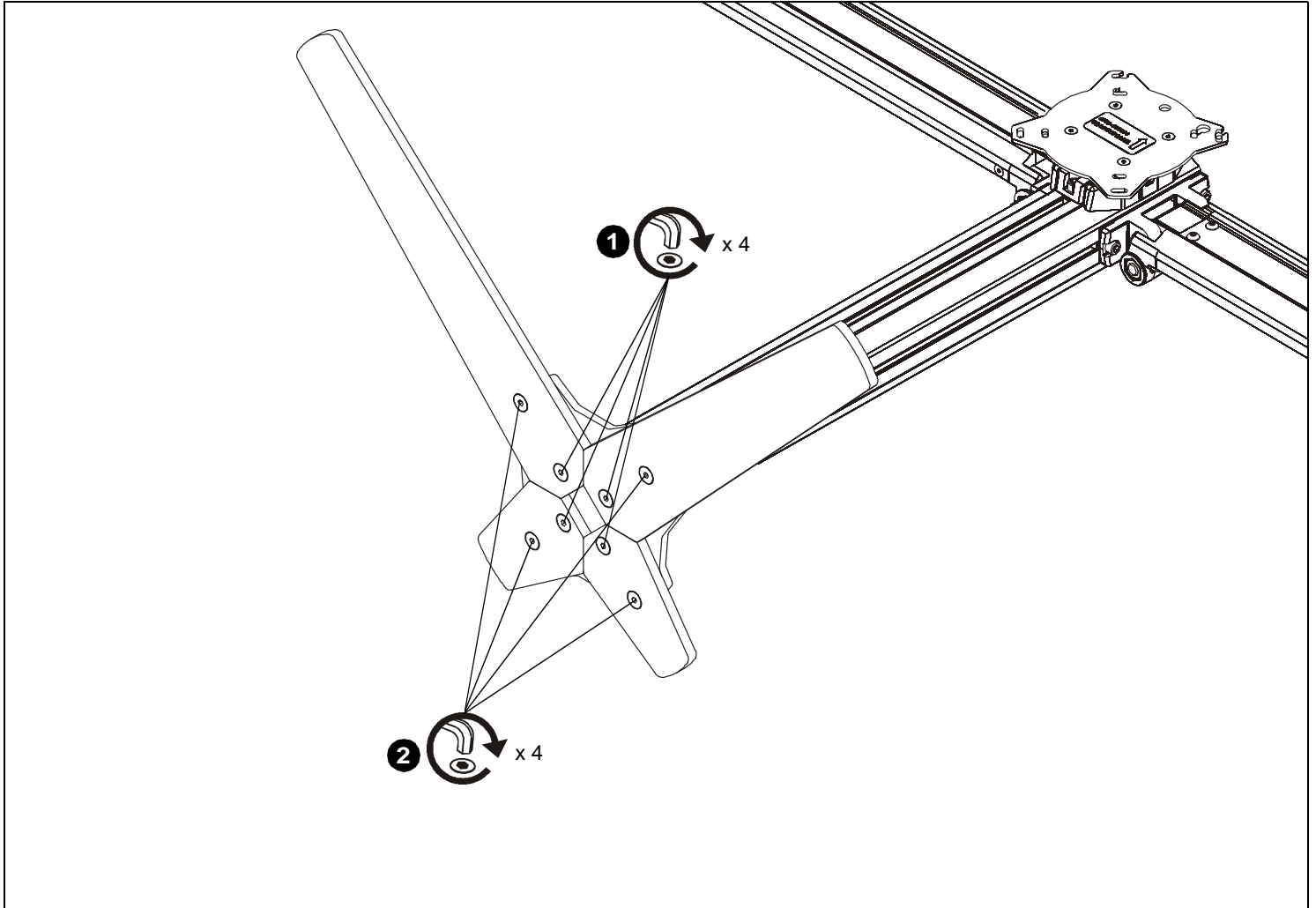


Figure 1

Milestone AV Technologies, Inc., and its affiliated corporations and subsidiaries (collectively, "Milestone"), intend to make this manual accurate and complete. However, Milestone makes no claim that the information contained herein covers all details, conditions or variations, nor does it provide for every possible contingency in connection with the installation or use of this product. The information contained in this document is subject to change without notice or obligation of any kind. Milestone makes no representation of warranty, expressed or implied, regarding the information contained herein. Milestone assumes no responsibility for accuracy, completeness or sufficiency of the information contained in this document.