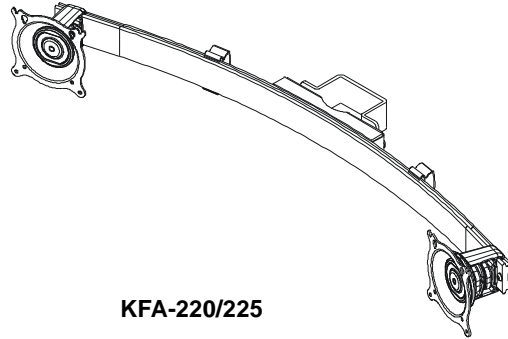
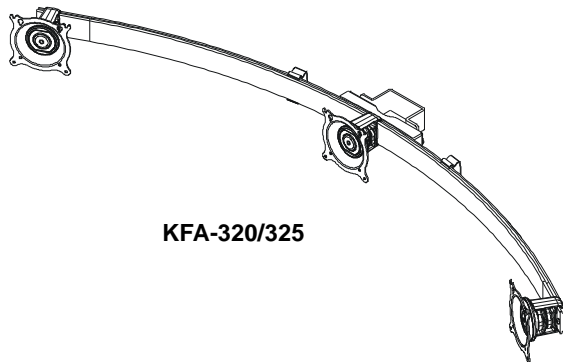

INSTALLATION INSTRUCTIONS



KFA-220/225



KFA-320/325

Carts and Stands Horizontal Array Accessory

DISCLAIMER

Milestone AV Technologies and its affiliated corporations and subsidiaries (collectively "Milestone"), intend to make this manual accurate and complete. However, Milestone makes no claim that the information contained herein covers all details, conditions or variations, nor does it provide for every possible contingency in connection with the installation or use of this product. The information contained in this document is subject to change without notice or obligation of any kind. Milestone makes no representation of warranty, expressed or implied, regarding the information contained herein. Milestone assumes no responsibility for accuracy, completeness or sufficiency of the information contained in this document.

Chief® and Centris™ a registered trademarks of Milestone AV Technologies. All rights reserved.



IMPORTANT WARNINGS AND CAUTIONS!



WARNING: A WARNING alerts you to the possibility of serious injury or death if you do not follow the instructions.



CAUTION: A CAUTION alerts you to the possibility of damage or destruction of equipment if you do not follow the corresponding instructions.



WARNING: Failure to read, thoroughly understand, and follow all instructions can result in serious personal injury, damage to equipment, or voiding of factory warranty! It is the installer's responsibility to make sure all components are properly assembled and installed using the instructions provided.



WARNING: Failure to provide adequate structural strength for this component can result in serious personal injury or damage to equipment! It is the installer's responsibility to make sure the structure to which this component is attached can support five times the combined weight of all equipment. Reinforce the structure as required before installing the component.



WARNING: Exceeding the weight capacity can result in serious personal injury or damage to equipment! It is the installer's responsibility to make sure the combined weight of the displays installed does not exceed 70 lbs (31.8 kg) for the KFA-220 and KFA-225 and 90 lbs (40.8 kg) for the KFA-320 and KFA-325. The weight of each individual display must not exceed 35 lbs (15.9 kg) for the KFA-220 and KFA-225 or 30 lbs for the KFA-320 and KFA-325.



WARNING: RISK OF ELECTRIC SHOCK ! Using the wrong screws could result in severe personal injury or damage to your display. If your display uses a longer screw size than those included in the kit, DO NOT use the screws provided with the kit. Use the screws provided with your display or contact the manufacturer.



WARNING: Improper installation can result in serious personal injury! Make sure that the mounting surface can support a redundant weight factor five times the total weight of the equipment. If not, reinforce the mounting surface structural members before installing the mount.



WARNING: Be aware of the potential for personal injury or damage to the unit if it is not adequately mounted.



WARNING: The installer is responsible for verifying that the mounting surface to which the KFA is anchored will safely support the combined load of all attached components or other equipment.

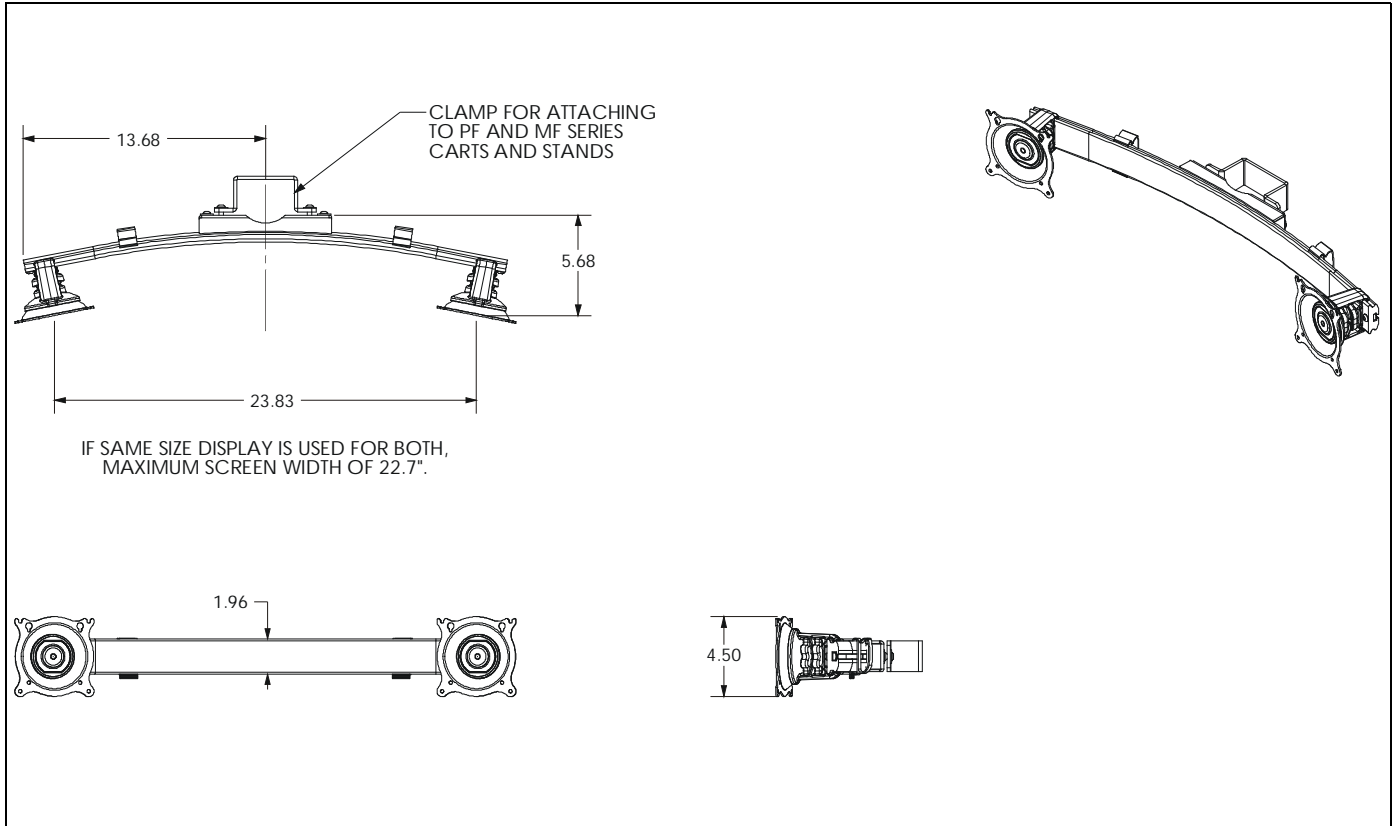


WARNING: Watch for pinch points. Do not put your fingers between movable parts.

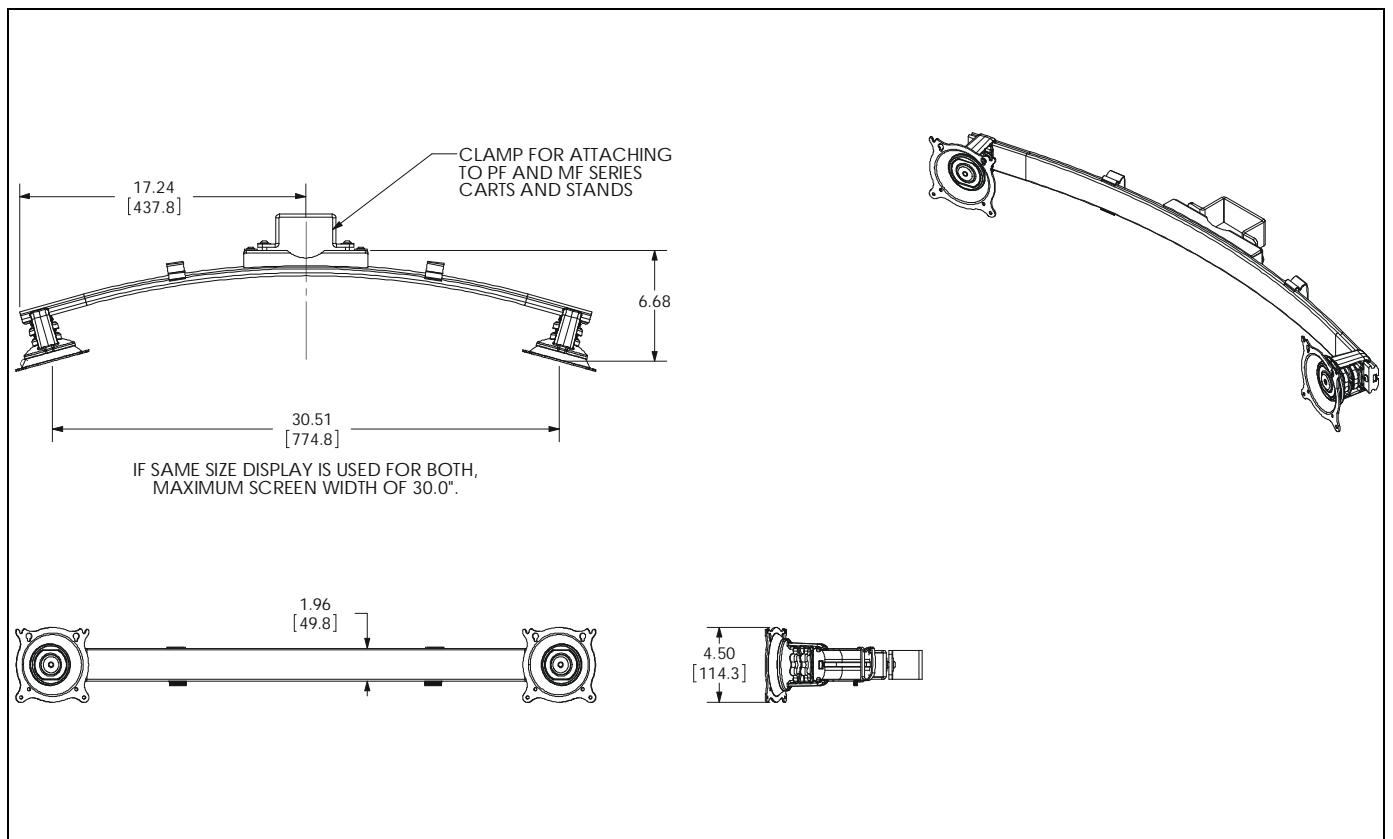


WARNING: Make sure the mount is correctly oriented.

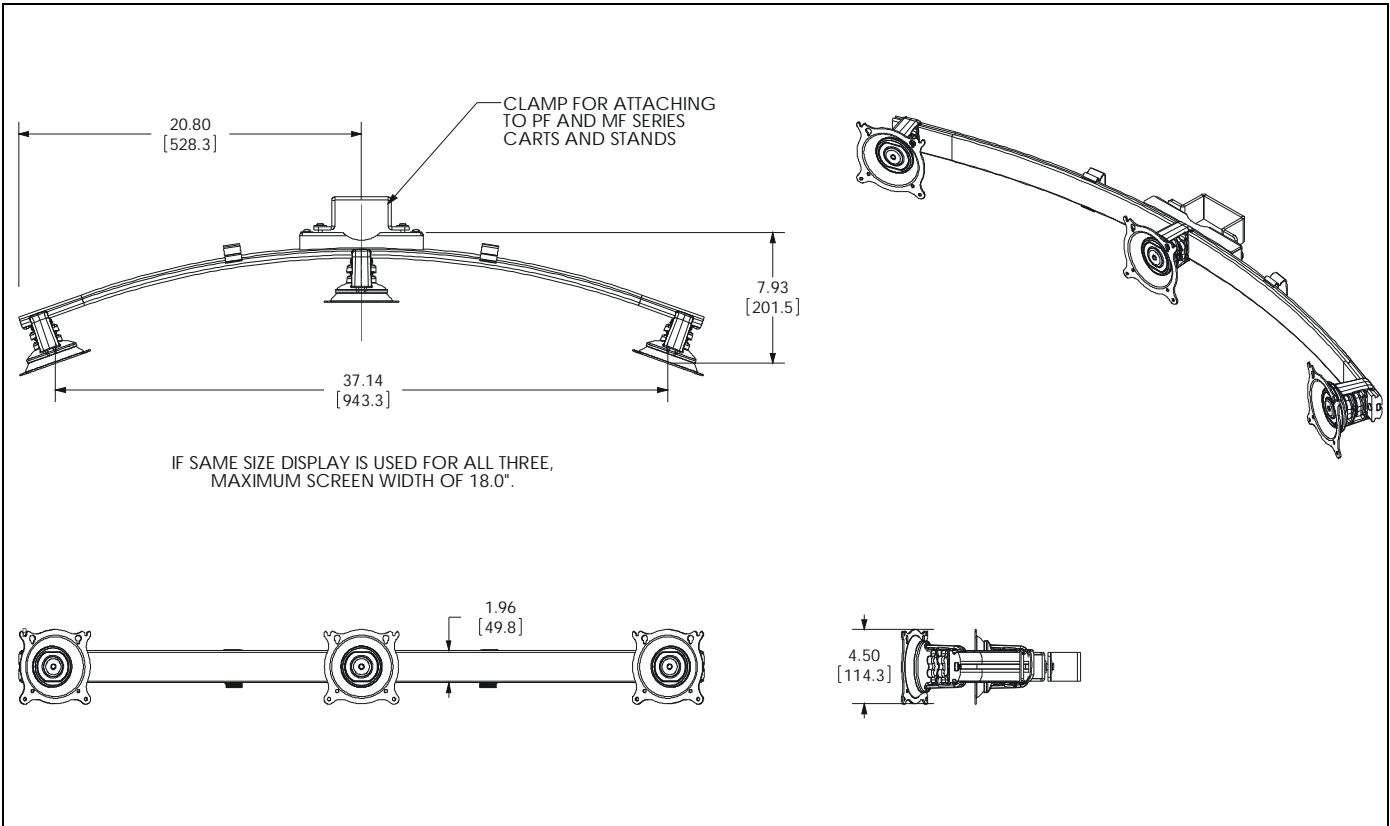
KFA-220 DIMENSIONS



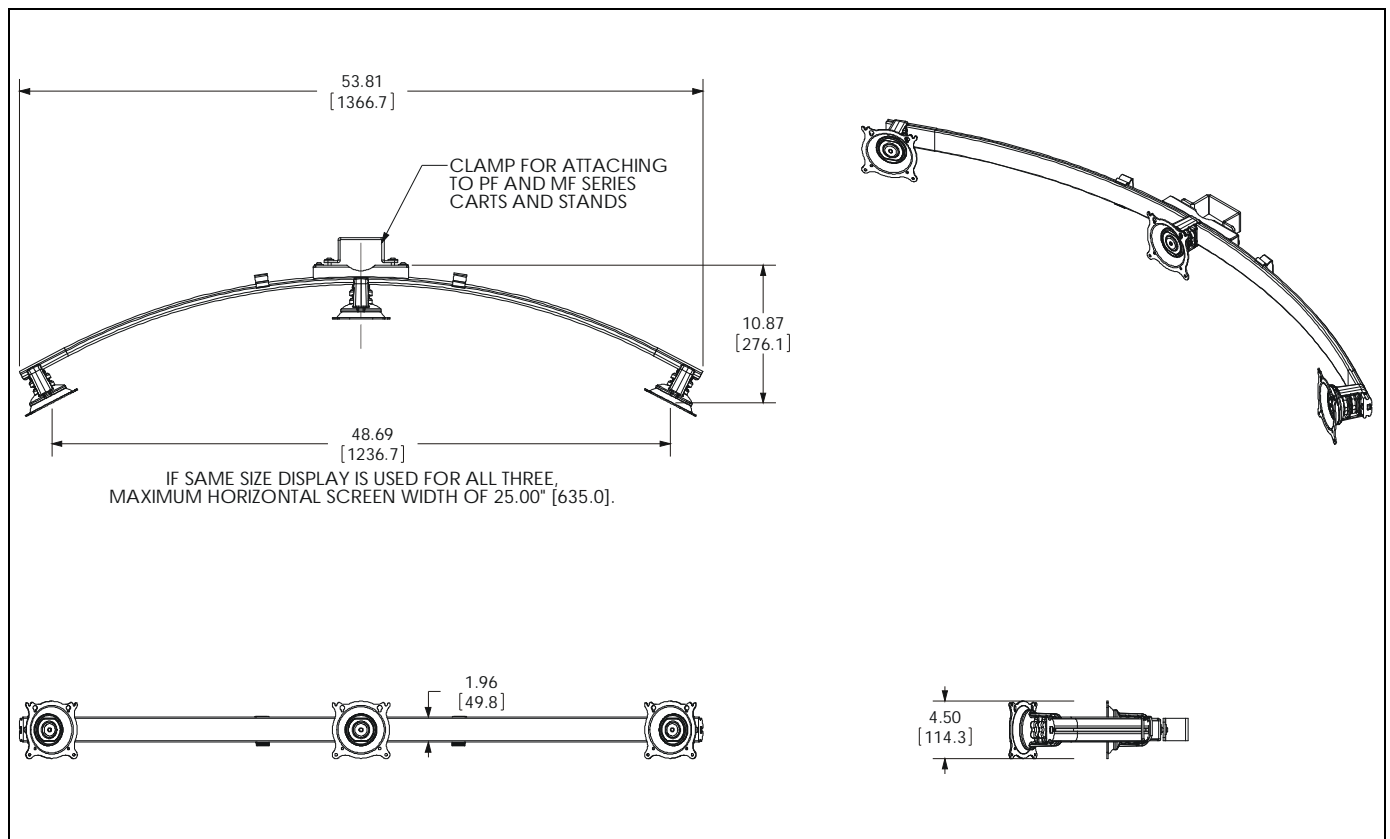
KFA-225 DIMENSIONS





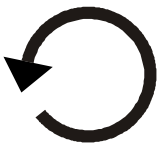









KFA-320 DIMENSIONS



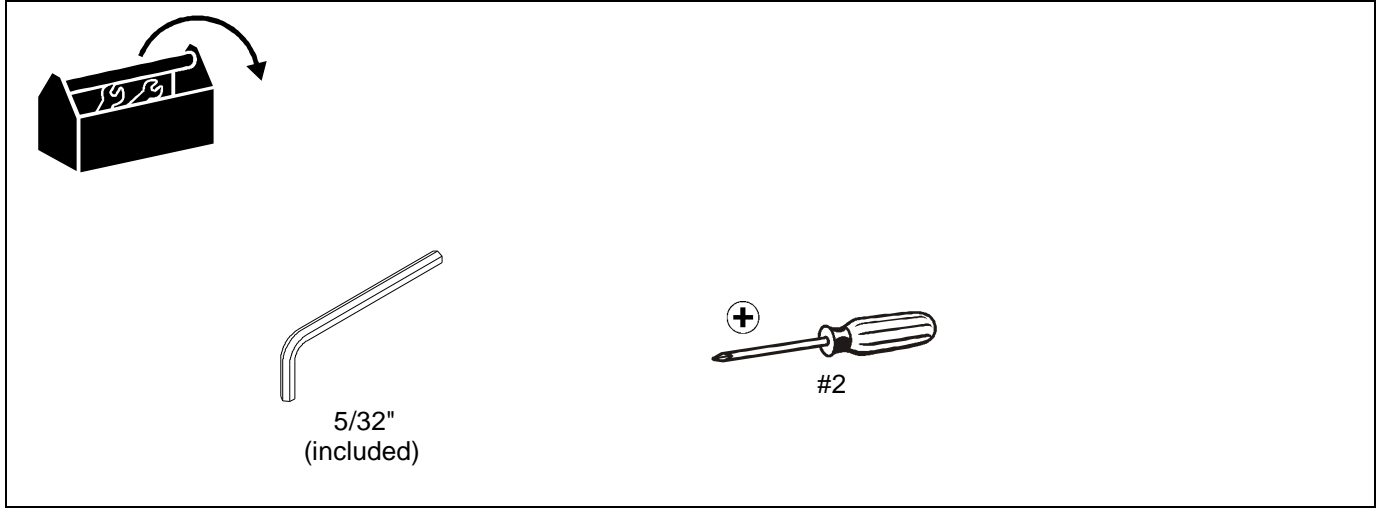
KFA-325 DIMENSIONS



LEGEND

| | | | |
|---|--|--|---|
|  | <p>Tighten Fastener Apretar elemento de fijación Befestigungsteil festziehen Apertar fixador Serrare il fissaggio Bevestiging vastdraaien Serrez les fixations</p> |  | <p>Pencil Mark Marcar con lápiz Stiftmarkierung Marcar com lápis Segno a matita Potloodmerkteken Marquage au crayon</p> |
|  | <p>Loosen Fastener Aflojar elemento de fijación Befestigungsteil lösen Desapertar fixador Allentare il fissaggio Bevestiging losdraaien Desserrez les fixations</p> |  | <p>Drill Hole Perforar Bohrloch Fazer furo Praticare un foro Gat boren Percez un trou</p> |
|  | <p>Phillips Screwdriver Destornillador Phillips Kreuzschlitzschraubendreher Chave de fendas Phillips Cacciavite a stella Kruiskopschroevendraaier Tournevis à pointe cruciforme</p> |  | <p>Adjust Ajustar Einstellen Ajustar Regolare Afstellen Ajuster</p> |
|  | <p>Open-Ended Wrench Llave de boca Gabelschlüssel Chave de bocas Chiave a punte aperte Steeksleutel Clé à fourche</p> |  | <p>Remove Quitar Entfernen Remover Rimuovere Verwijderen Retirez</p> |
|  | <p>By Hand A mano Von Hand Com a mão A mano Met de hand À la main</p> |  | <p>Optional Opcional Optional Opcional Opzionale Optie En option</p> |
|  | <p>Hex-Head Wrench Llave de cabeza hexagonal Sechskantschlüssel Chave de cabeça sextavada Chiave esagonale Zeskantsleutel Clé à tête hexagonale</p> |  | <p>Security Wrench Llave de seguridad Sicherheitsschlüssel Chave de segurança Chiave di sicurezza Veiligheidssleutel Clé de sécurité</p> |

TOOLS REQUIRED FOR INSTALLATION



PARTS

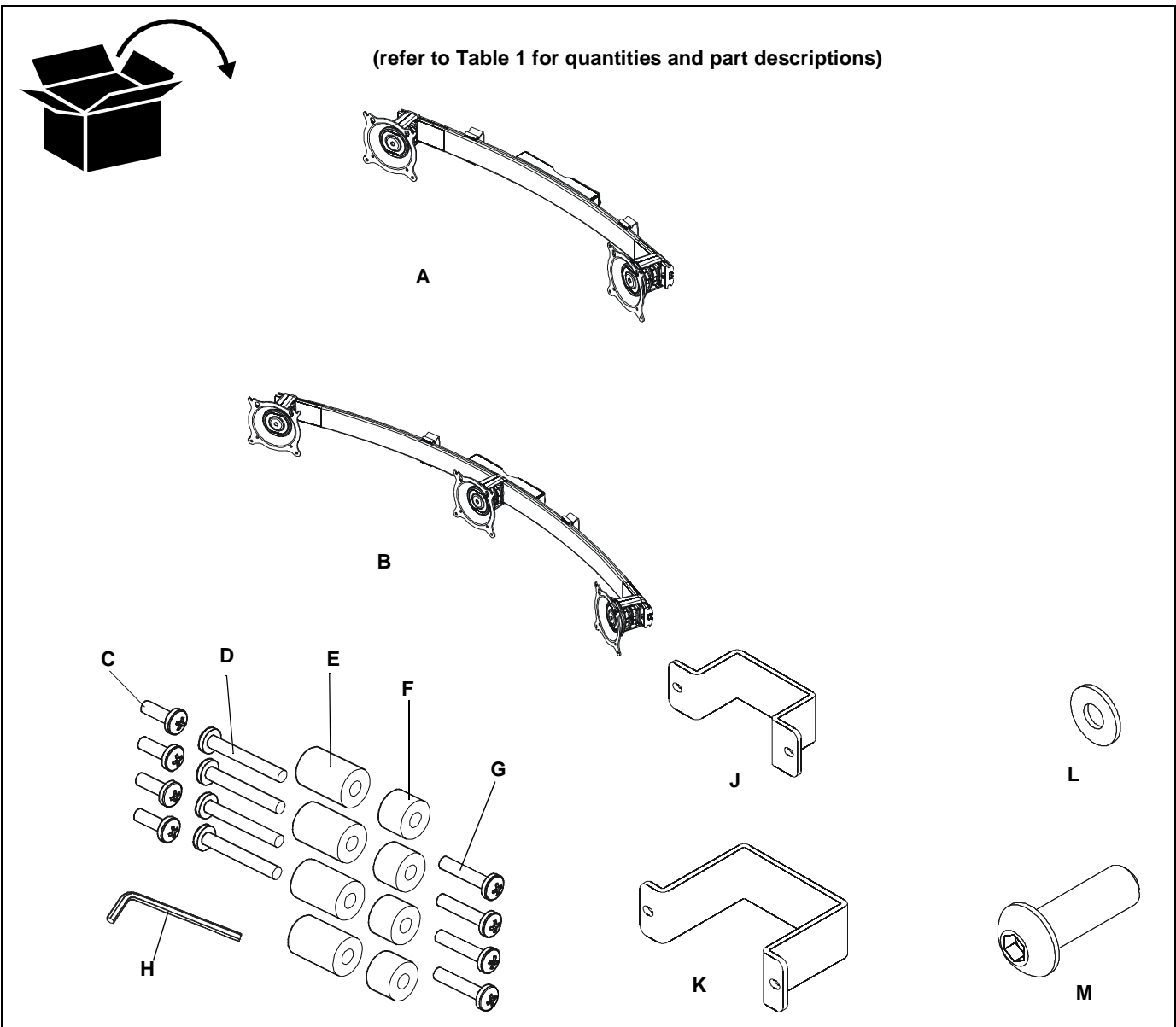


Table 1: Parts

| ITEM | DESCRIPTION | QTY* |
|------|--|------|
| A | ARRAY ASSEMBLY, KFA-220/225 | 1 |
| B | ARRAY ASSEMBLY, KFA-320/325 | 1 |
| C | SCREW, Phillips Pan Head, M4 x 12mm | 4 |
| D | SCREW, Phillips Pan Head, M4 x 30mm | 4 |
| E | SPACER, Nylon, 3/4" (used with item D) | 4 |
| F | SPACER, Nylon, 3/8" (used with item G) | 4 |
| G | SCREW, Phillips Pan Head, M4 x 20mm | 4 |
| H | KEY, Hex, 5/32" | 1 |
| J | BRACKET, Pole Clamp, Back - small | 1 |
| K | BRACKET, Pole Clamp, Back - large | 1 |
| L | WASHER, Flat, 1/4" | 2 |
| M | SCREW, Button Head, 1/4-20 x 3/4" | 2 |

* Quantity varies depending upon the number of displays being mounted.

Installation

1. Determine proper pole clamp to use for installation. If mounting to wide portion of pole mount use large pole clamp bracket (K). If mounting to extendable upper portion of mount, use small pole clamp bracket (J). (See Figure 1)

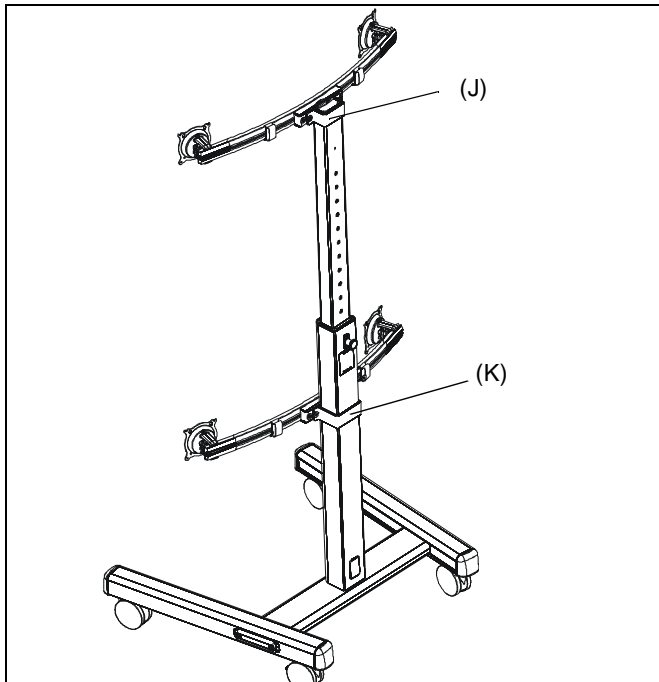


Figure 1

NOTE: If removing existing head assembly from cart/stand, do so prior to installing KFA Series arrays.

IMPORTANT ! : The KFA Series arrays can be used in addition to the existing head assembly as long as the overall weight limit of the cart/stand is not exceeded!

2. Attach pole clamp bracket (J or K) to pole mount front using two 1/4" washers (L) and two 1/4-20 x 3/4" button head cap screws (M). (See Figure 2)
3. Secure pole clamp bracket (J or K) to pole mount front and pole by tightening two button head cap screws (M) using a 5/32" hex key (H). (See Figure 2)

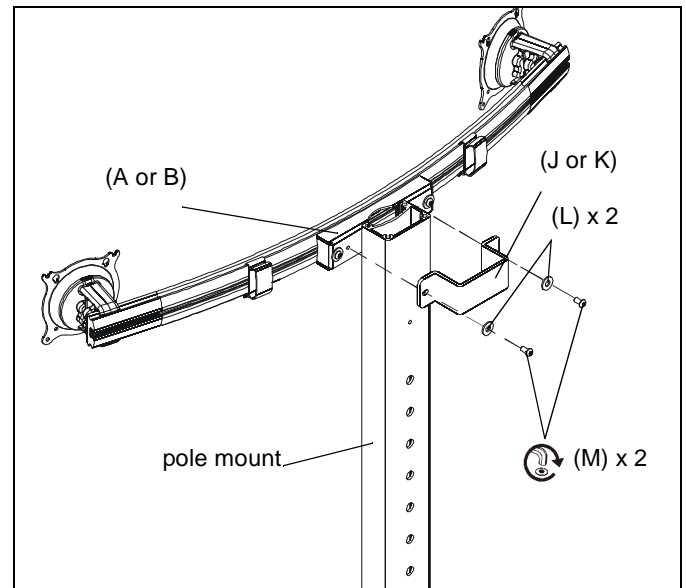


Figure 2

Display Installation

Attach Centris Head to Flush Mount Display



CAUTION: If display uses a screw size other than those included in the kit, DO NOT use the screws provided. Using the wrong screws could result in damage to your monitor.

1. Install two M4 x 12mm Phillips pan head screws (C) into two upper mounting holes in display back. (See Figure 3)

NOTE: DO NOT fully tighten at this time.

2. Hang display on Centris head. (See Figure 4)
3. Install bottom two M4 x 12mm Phillips pan head screws (C) through Centris head mounting holes and into lower mounting holes in display back.
4. Tighten four M4 x 12mm Phillips pan head screws (C). (See Figure 5)

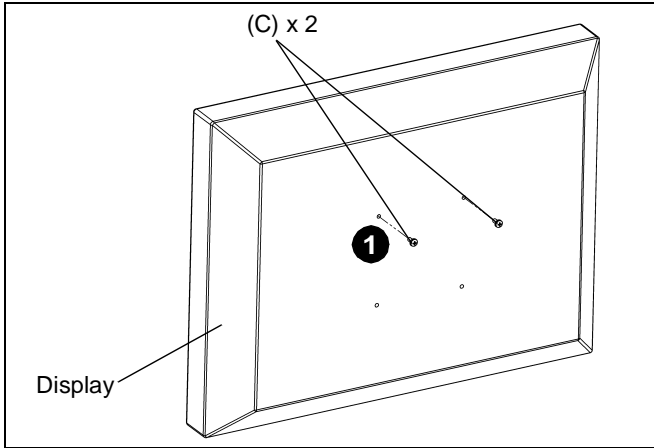


Figure 3

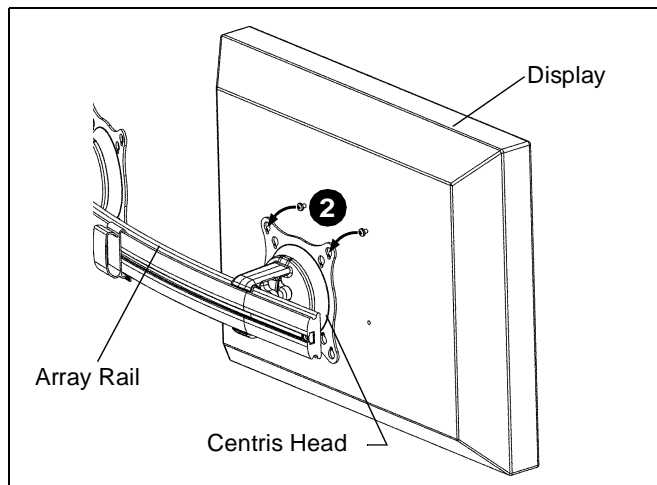


Figure 4

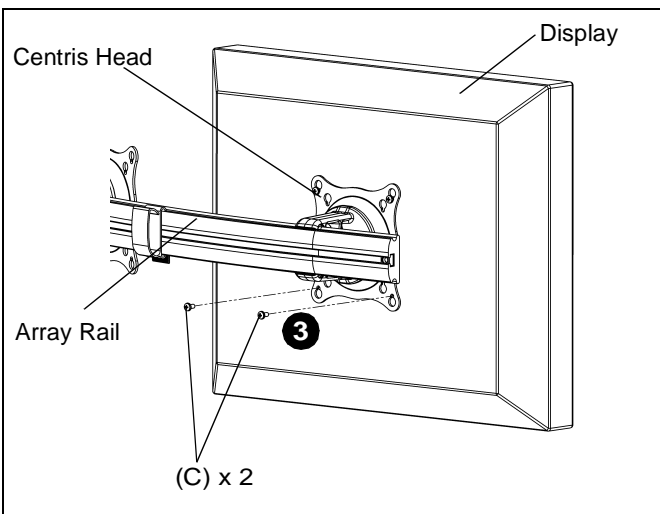


Figure 5

Attach Centris Head to Recessed Mount Display



CAUTION: If display uses a screw size other than those included in the kit, DO NOT use the screws provided. Using the wrong screws could result in damage to your monitor.

1. Uninstall end lock using the 5/32" hex key (H). (See Figure 6)
2. Remove Centris head from mounting rail. (See Figure 7)

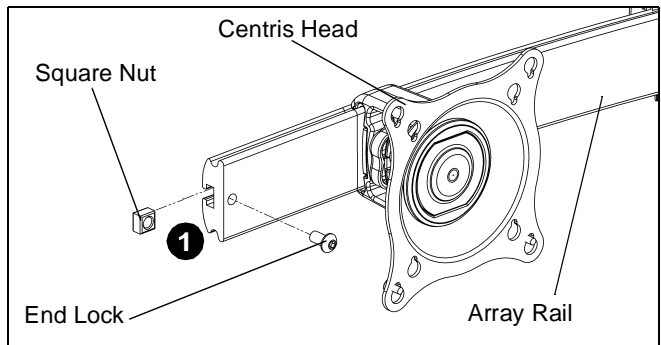


Figure 6

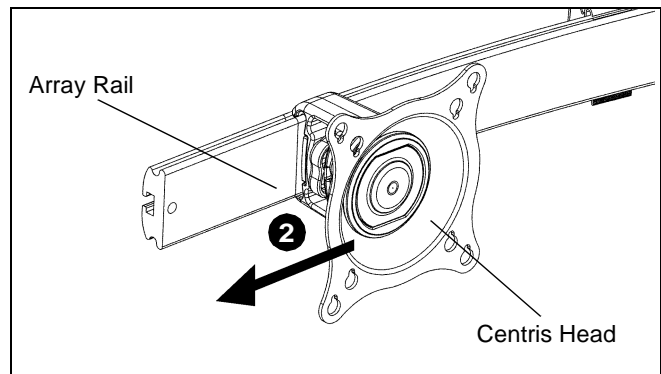


Figure 7

3. Place display face down on a clean dry surface.
4. Place four 3/4" or 3/8" nylon spacers (E or F) over four mounting holes in display back.

NOTE: Refer to Table 1 to select the applicable screw and spacer combination.

5. Align Centris head mounting holes with four nylon spacers.
6. Secure Centris head to display using four M4 x 20mm Phillips pan head screws (G), or four M4 x 30mm Phillips pan head screws (D). (See Figure 8)

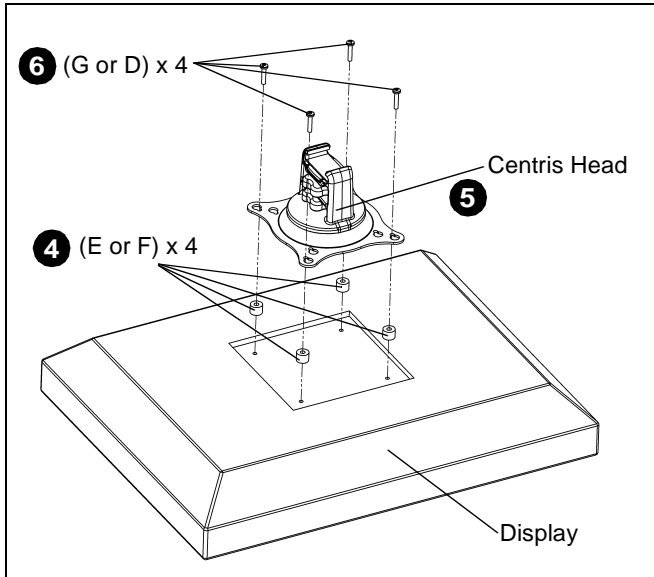


Figure 8

7. Slide display with Centris bracket onto mounting rail. (See Figure 9)

NOTE: Repeat previous steps for each additional display.

8. Install end locks into mounting rail using the 5/32" hex key (H). (See Figure 10)

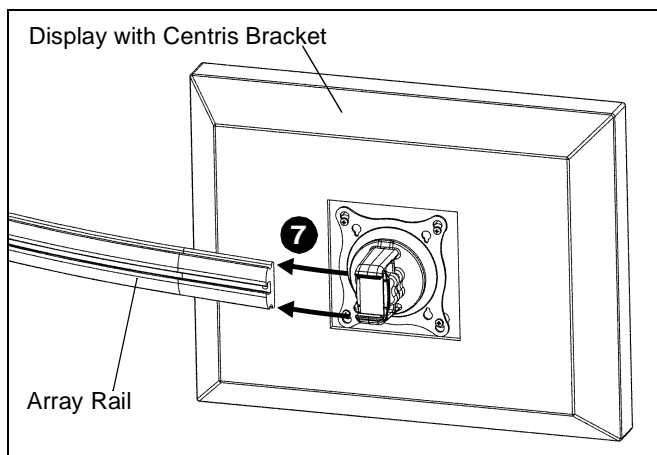


Figure 9

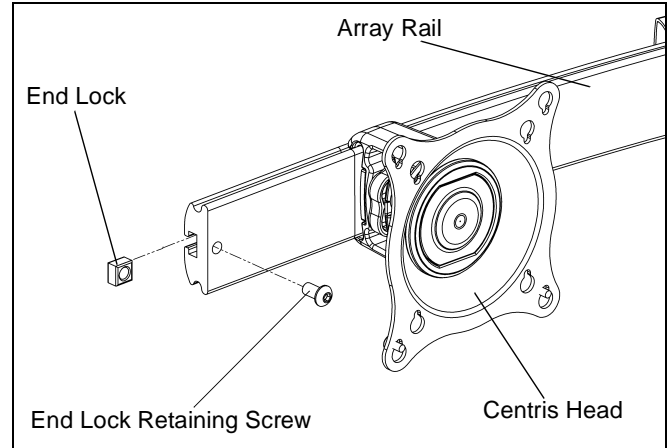


Figure 10

Display Adjustment

These pivot arrays allow horizontal, pitch, roll, and yaw adjustment of each display with a maximum pitch range of 15° up and 15° down.

These pivot arrays also allow a full 360 deg. of display roll.

Display Horizontal Position Adjustment

To adjust display horizontal position:

1. Loosen Centris bracket rear adjustment knob. (See Figure 11)
2. Slide Centris bracket with display left or right until properly positioned on array rail.
3. Tighten Centris bracket rear adjustment knob.

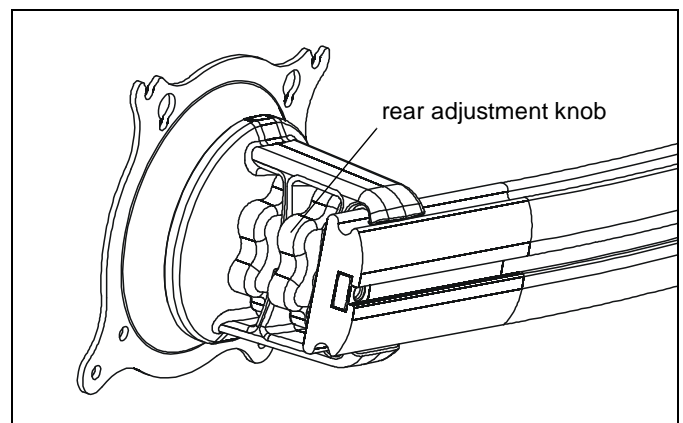


Figure 11

Display Pitch, Roll, and Yaw Adjustment

To adjust display position:

1. Loosen Centris bracket front adjustment knob. (See Figure 12)
2. Tilt display up or down, or adjust display roll left or

right until properly positioned.

3. Tighten Centris bracket front adjustment knob.

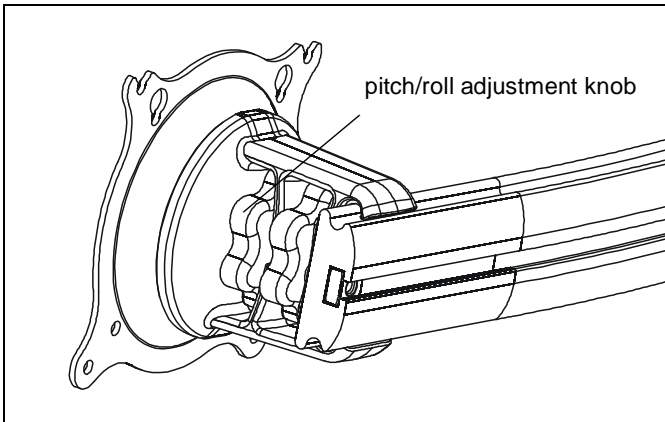


Figure 12



Our Mounts. **Your Vision.**

Chief Manufacturing, a products division
of Milestone AV Technologies

8834-000011 REV 01
©2010 Milestone AV Technologies, a
Duchossois Group Company
www.chiefmfg.com
04/10

| | |
|--------------------------|---|
| USA/International | A 8401 Eagle Creek Parkway, Savage, MN 55378 P 800.582.6480 / 952.894.6280 F 877.894.6918 / 952.894.6918 |
| Europe | A Fellenoord 130 5611 ZB EINDHOVEN, The Netherlands P +31 (0)40 2668620 F +31 (0)40 2668615 |
| Asia Pacific | A Office No. 1 on 12/F, Shatin Galleria 18-24 Shan Mei Street Fotan, Shatin, Hong Kong P 852 2145 4099 F 852 2145 4477 |

